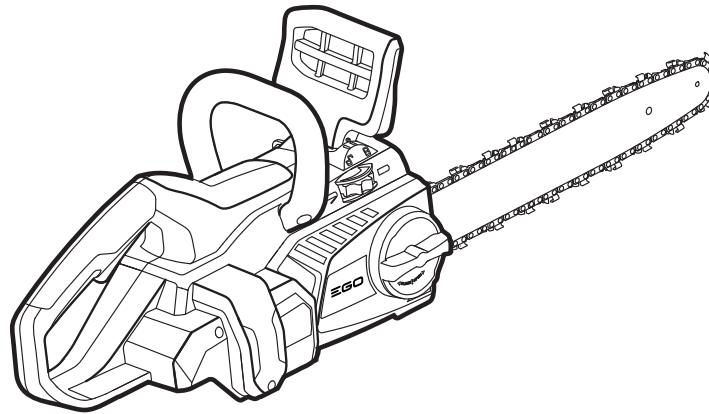


EGO™

POWER⁺ CHAIN SAW

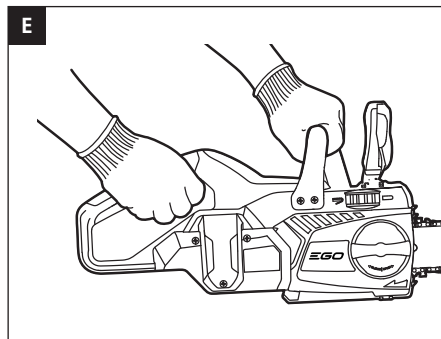
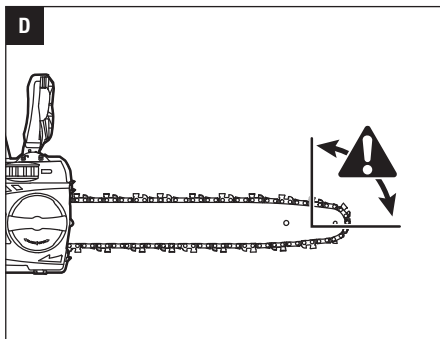
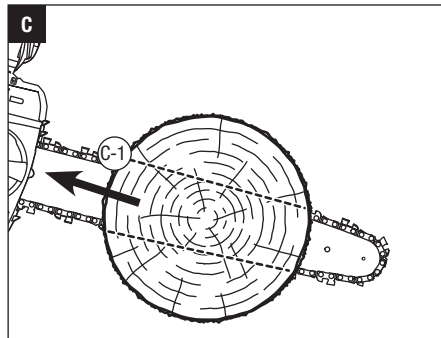
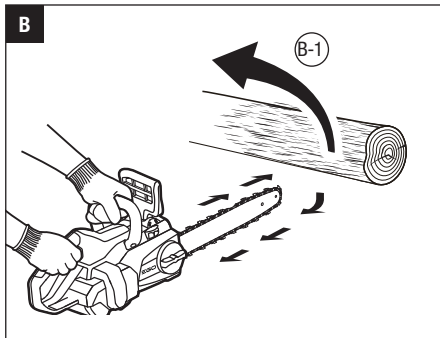
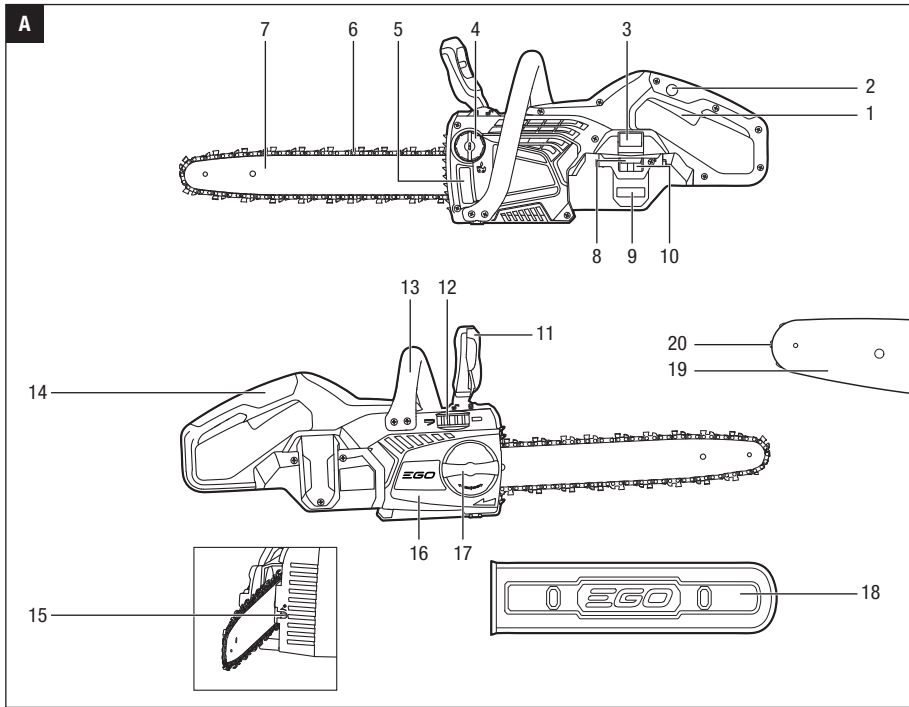


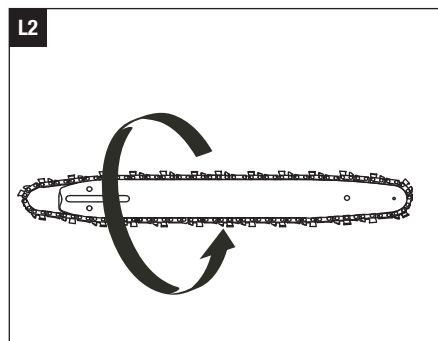
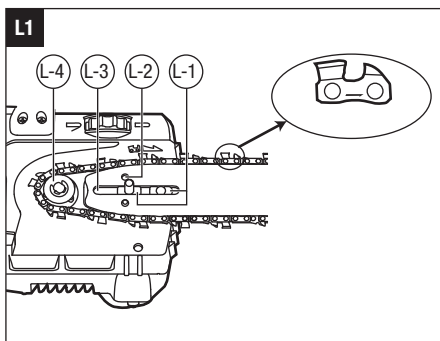
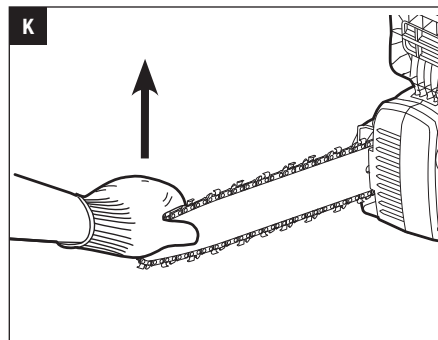
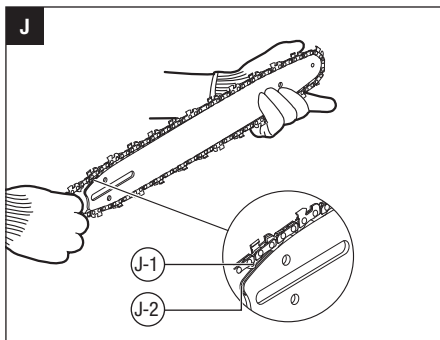
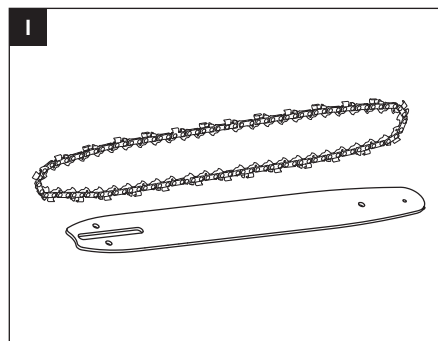
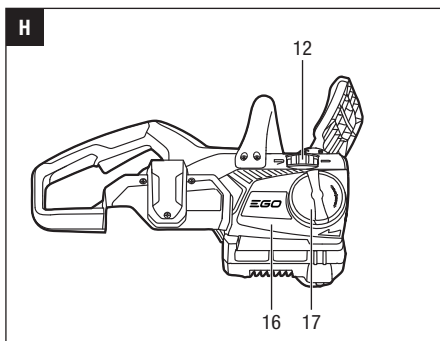
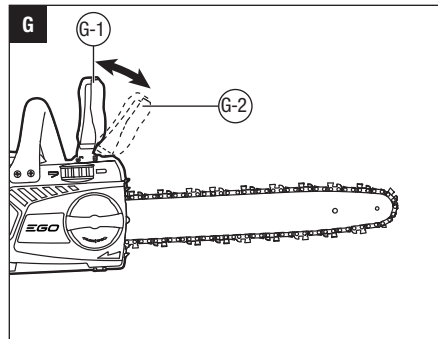
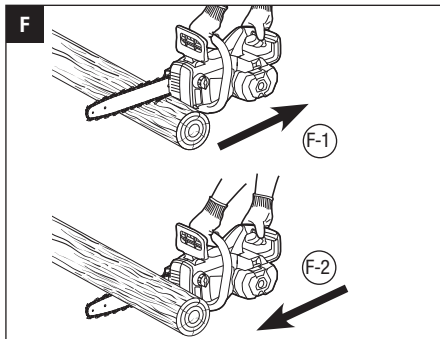
OPERATOR'S MANUAL

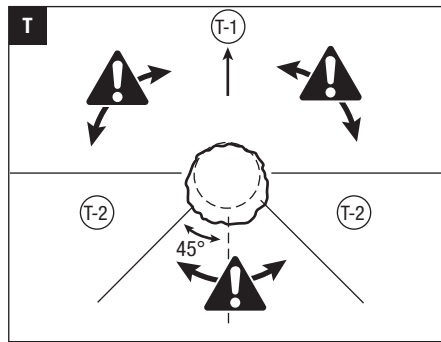
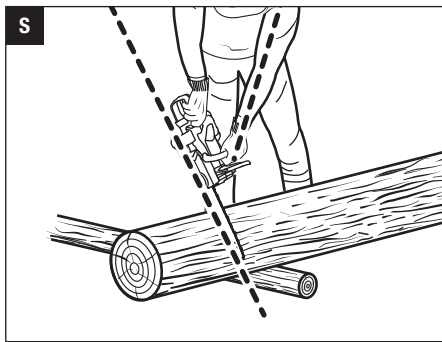
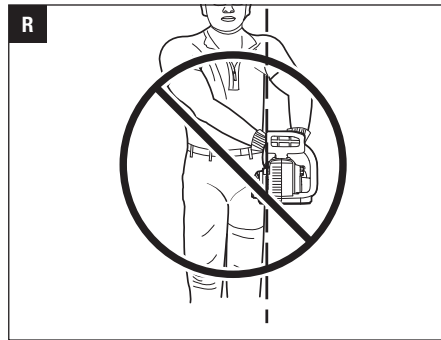
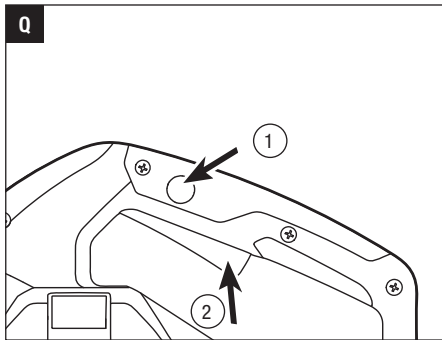
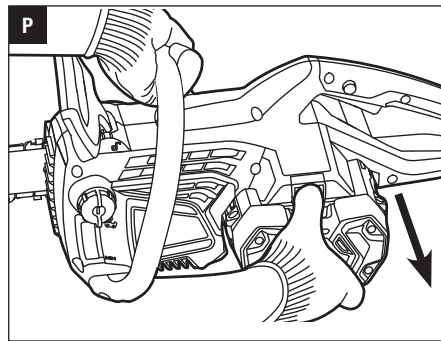
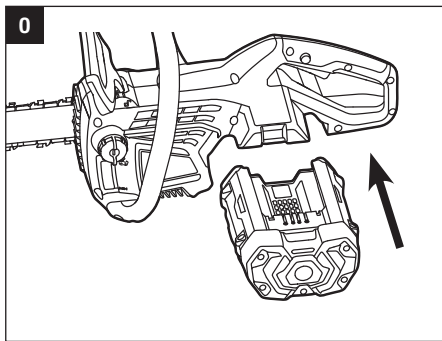
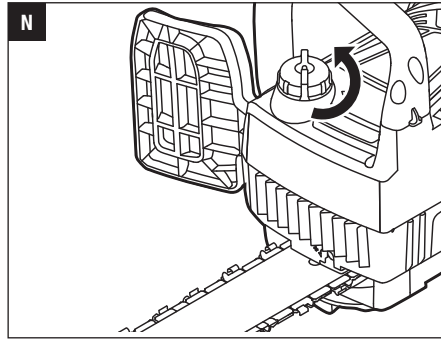
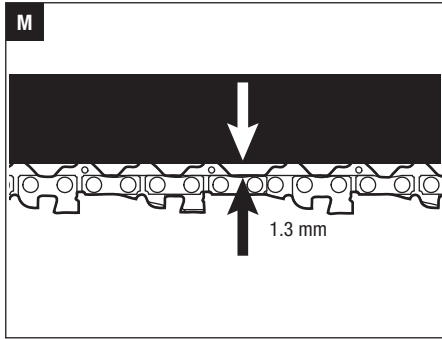
56 VOLT LITHIUM-ION CORDLESS CHAIN SAW

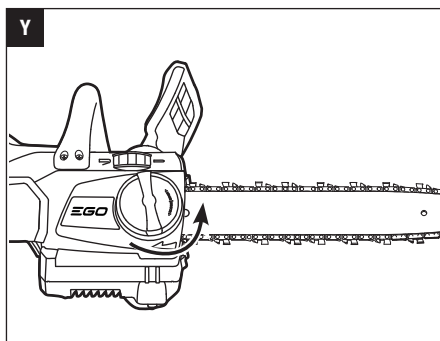
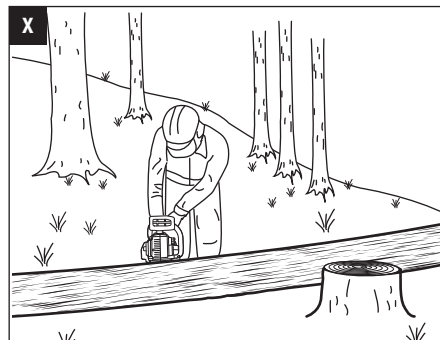
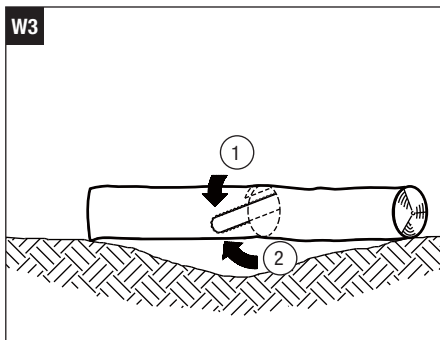
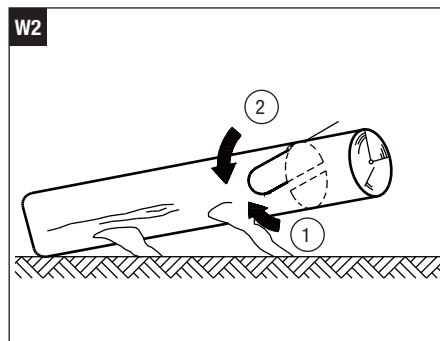
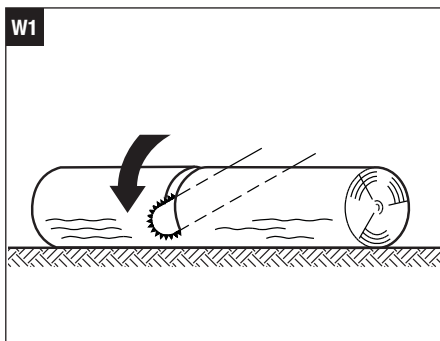
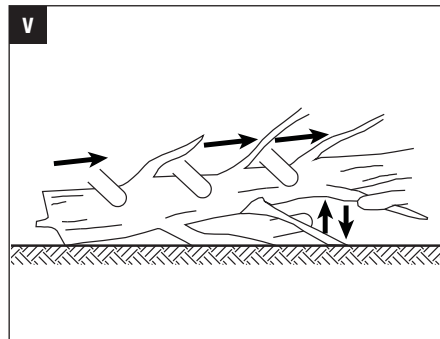
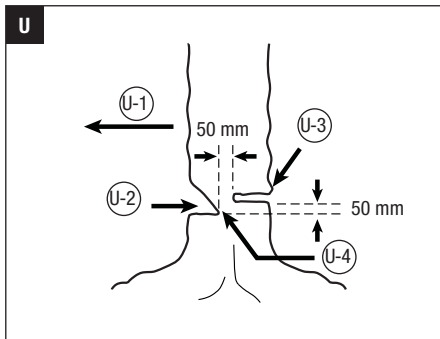
MODEL NUMBER CS1400E/CS1600E

EN	56 volt lithium-ion cordless chain saw	6	RU	Беспроводная цепная пила на литий-ионной батарее (56 в)	156
DE	56 volt lithium-ion kabellose Kettensäge	19	PL	Pilarka łańcuchowa bezprzewodowa na litowo-jonowy akumulator 56v	170
FR	56-volt lithium-ionen tronçonneuse sans fil	33	CZ	56v lithium-iontová akumulátorová řetězová pila	184
ES	Motosierra inalámbrica de ion de litio de 56 v	47	SK	56 voltová lítium-iónová bezdrôtová reťazová píla	197
PT	Moto-serra sem fios de 56 volts de ião e lítio	62	LT	Belaidis grandininis pjūklas su 56 v ličio jonų akumulatoriumi	210
IT	Motosega senza fili a batteria li-ion 56v	76	LV	56 v litija-jonu bezvadu ķēdes motorzāģis	223
NL	56v lithium-ion accukettingzaag	90	ET	56v-liitiumioonakuga akutoitel mootorsaag	236
DK	Akku motorsav med 56v litium-ion-batteri	104			
SE	56v litium-jon sladdlös kedjesåg	117			
FI	56 v:n lulumlonlakulla akkukäyttöinen moottorisaha	130			
NO	56v lithium-ion motorsag uten ledning	143			











EN

READ ALL INSTRUCTIONS!



READ & UNDERSTAND INSTRUCTION MANUAL

⚠ Residual risk! People with electronic devices, such as pacemakers, should consult their physician(s) before using this product. Operation of electrical equipment in close proximity to a heart pacemaker could cause interference or failure of the pacemaker.

⚠ WARNING: To ensure safety and reliability, all repairs and replacements should be performed by a qualified service technician.

SAFETY SYMBOLS

The purpose of safety symbols is to attract your attention to possible dangers. The safety symbols and the explanations with them deserve your careful attention and understanding. The symbol warnings do not, by themselves, eliminate any danger. The instructions and warnings they give are no substitutes for proper accident prevention measures.

⚠ WARNING: Be sure to read and understand all safety instructions in this Operator's Manual, including all safety alert symbols such as **"DANGER," "WARNING,"** and **"CAUTION"** before using this tool. Failure to following all instructions listed below may result in electric shock, fire, and/or serious personal injury.

SYMBOL MEANING




SAFETY ALERT SYMBOL: Indicates DANGER, WARNING, or CAUTION. May be used in conjunction with other symbols or pictographs.

⚠ WARNING: The operation of any power tools can result in foreign objects being thrown into your eyes, which can result in severe eye damage. Before beginning power tool operation, always wear safety goggles or safety glasses with side shields and a full face shield when needed. We recommend a Wide Vision Safety Mask for use over eyeglasses or standard safety glasses with side shields.

SAFETY INSTRUCTIONS

This page depicts and describes safety symbols that may appear on this product. Read, understand, and follow all instructions on the machine before attempting to assemble and operate.

	Safety Alert	Indicates a potential personal injury hazard.
	Read the Operator's Manual	To reduce the risk of injury, user must read operator's manual.
	Wear Eye Protection	Always wear safety goggles or safety glasses with side shields and a full face shield when operating this product.
	Wear Ear Protection	Always wear ear protection when operating this product.
	Wear Head Protection	Wear an approved safety hard hat to protect your head.
	Wear Protective Gloves	Protect your hands with gloves when handling saw and saw chain. Heavy-duty, nonslip gloves improve your grip and protect your hands.
	Guide Bar	The information of guide bar.
	Be Aware of Kickback	Contact of the guide bar tip with any object should be avoided
	Guide Bar Tip Kickback	Tip contact can cause the guide bar to move suddenly upward and backward, which can cause serious injury.
	Two Hand Hold	Always use two hands when operating the chain saw
	Do Not Expose To Rain	Do not use in the rain or leave outdoors while it is raining.
	CE	This product is in accordance with applicable EC directives.
	Noise	Guaranteed sound power level. Noise emission to the environment according to the European community's Directive.

	WEEE	Waste electrical products should not be disposed of with household waste. Take to an authorized recycler.
V	Volt	Voltage
A	Amperes	Current
Hz	Hertz	Frequency (cycles per second)
W	Watt	Power
min	Minutes	Time
	Alternating Current	Type of current
	Direct Current	Type or a characteristic of current
n_0	No Load Speed	Rotational speed, at no load
... /min	Per Minute	Revolutions per minute

GENERAL POWER TOOL SAFETY WARNINGS

⚠ WARNING: Read all safety warnings and instructions. Failure to follow the warnings and instructions may result in electric shock, fire and/or serious injury.

Save all warnings and instructions for future reference.

The term “power tool” in the warnings refers to your mains-operated (corded) power tool or battery-operated (cordless) power tool.

WORK AREA SAFETY

- **Keep work area clean and well lit.** Cluttered or dark areas invite accidents.
- **Do not operate power tools in explosive atmospheres, such as in the presence of flammable liquids, petrol or dust.** Power tools create sparks which may ignite the dust or fumes.
- **Keep children and bystanders away while operating a power tool.** Distractions can cause you to lose control.

ELECTRICAL SAFETY

- **Power tool plugs must match the outlet. Never modify the plug in any way. Do not use any adaptor plugs with earthed (grounded) power tools.** Unmodified plugs and matching outlets will reduce risk of electric shock

- **Avoid body contact with earthed or grounded surfaces, such as pipes, radiators, ranges and refrigerators.** There is an increased risk of electric shock if your body is earthed or grounded.
- **Do not expose power tools to rain or wet conditions.** Water entering a power tool will increase the risk of electric shock.
- **Do not abuse the cord. Never use the cord for carrying, pulling or unplugging the power tool. Keep cord away from heat, oil, sharp edges or moving parts.** Damaged or entangled cords increase the risk of electric shock.
- **When operating a power tool outdoors, use an extension cord suitable for outdoor use.** Use of a cord suitable for outdoor use reduces the risk of electric shock.
- **If operating a power tool in a damp location is unavoidable, use a Ground-fault circuit interrupter protected supply.** Use of GFCI reduces the risk of electric shock.

PERSONAL SAFETY

- **Stay alert, watch what you are doing and use common sense when operating a power tool. Do not use a power tool while you are tired or under the influence of drugs, alcohol, or medication.** A moment of inattention while operating power tools may result in serious personal injury.
- **Use personal protective equipment. Always wear eye protection.** Protective equipment such as dust mask, non-skid safety shoes, hard hat, or hearing protection used for appropriate conditions will reduce personal injuries.
- **Prevent unintentional starting. Ensure the switch is in the off-position before connecting to power source and/or battery pack, picking up or carrying the tool.** Carrying power tools with your finger on the switch or energizing power tools that have the switch on invites accidents.
- **Remove any adjusting key or wrench before turning the power tool on.** A wrench or a key left attached to a rotating part of the power tool may result in personal injury.
- **Do not overreach. Keep proper footing and balance at all times.** This enables better control of the power tool in unexpected situations.
- **Dress properly. Do not wear loose clothing or jewelry. Keep your hair, clothing and gloves away from moving parts.** Loose clothes, jewelry or long hair can be caught in moving parts.
- **If devices are provided for the connection of dust extraction and collection facilities, ensure these are connected and properly used.** Use of dust devices can reduce dust-related hazards.



EN

POWER TOOL USE AND CARE

- **Do not force the power tool. Use the correct power tool for your application.** The correct power tool will do the job better and safer at the rate for which it was designed.
- **Do not use the power tool if the switch does not turn it on and off.** Any power tool that cannot be controlled with the switch is dangerous and must be repaired.
- **Disconnect the plug from the power source and/ or the battery pack from the power tool before making any adjustments, changing accessories, or storing power tools.** Such preventive safety measures reduce the risk of starting the power tool accidentally.
- **Store idle power tools out of the reach of children and do not allow persons unfamiliar with the power tool or these instructions to operate the power tool.** Power tools are dangerous in the hands of untrained users.
- **Maintain power tools. Check for misalignment or binding of moving parts, breakage of parts and any other condition that may affect the power tool's operation. If damaged, have the power tool repaired before use.** Many accidents are caused by poorly maintained power tools.
- **Keep cutting tools sharp and clean.** Properly maintained cutting tools with sharp cutting edges are less likely to bind and are easier to control.
- **Use the power tool, accessories and tool bits etc. in accordance with these instructions, taking into account the working conditions and the work to be performed.** Use of the power tool for operations different from those intended could result in a hazardous situation.

BATTERY TOOL USE AND CARE

- **Recharge only with the charger specified by the manufacturer.** A charger that is suitable for one type of battery pack may create a risk of fire when used with another battery pack.
- **Use power tools only with specifically designated battery packs.** Use of any other battery packs may create a risk of injury and fire.
- **When battery pack is not in use, keep it away from other metal objects, like paper clips, coins, keys, nails, screws or other small metal objects that can make a connection from one terminal to another.** Shorting the battery terminals together may cause burns or a fire.
- **Under abusive conditions, liquid may be ejected from the battery; avoid contact. If contact accidentally occurs, flush with water. If liquid contacts eyes, additionally seek medical help.** Liquid ejected from the battery may cause irritation or burns.

SERVICE

- **Have your power tool serviced by a qualified repair person using only identical replacement parts.** This will ensure that the safety of the power tool is maintained.

CHAIN SAW SAFETY WARNINGS

- **Keep all parts of the body away from the saw chain when the chain saw is operating. Before you start the chain saw, make sure the saw chain is not contacting anything.** A moment of inattention while operating chain saws may cause entanglement of your clothing or body with the chain.
- **Always hold the chain saw with your right hand on the rear handle and your left hand on the front handle.** Holding the chain saw with a reversed hand configuration increases the risk of personal injury and should never be done.
- **Hold the power tool by insulated gripping surfaces only, because the saw chain may contact hidden wiring.** Saw chains contacting a "live" wire may make exposed metal parts of the power tool "live" and could give the operator an electric shock.
- **Wear safety glasses and hearing protection. Further protective equipment for head, hands, legs and feet is recommended.** Adequate protective clothing will reduce personal injury by flying debris or accidental contact with the saw chain.
- **Do not operate a chain saw in a tree.** Operation of a chain saw while up in a tree may result in personal injury.
- **Always keep proper footing and operate the chain saw only when standing on fixed, secure and level surface.** Slippery or unstable surfaces such as ladders may cause a loss of balance or control of the chain saw.
- **When cutting a limb that is under tension be alert for spring back.** When the tension in the wood fibers is released the spring loaded limb may strike the operator and/or throw the chain saw out of control.
- **Use extreme caution when cutting brush and saplings.** The slender material may catch the saw chain and be whipped toward you or pull you off balance.
- **Carry the chain saw by the front handle with the chain saw switched off and away from your body. When transporting or storing the chain saw always fit the guide bar cover.** Proper handling of the chain saw will reduce the likelihood of accidental contact with the moving saw chain.
- **Follow instructions for lubricating, chain tensioning and changing accessories.** Improperly tensioned or lubricated chain may either break or increase the chance for kickback.

- **Keep handles dry, clean, and free from oil and grease.** Greasy, oily handles are slippery causing loss of control.
- **Cut wood only. Do not use chain saw for purposes not intended. For example: do not use chain saw for cutting plastic, masonry or non-wood building materials.** Use of the chain saw for operations different than intended could result in a hazardous situation.

CAUSES AND OPERATOR PREVENTION OF KICKBACK (Fig. B, C, D & E)

Kickback may occur when the nose or tip of the guide bar touches an object, or when the wood closes in and pinches the saw chain in the cut.

Tip contact in some cases may cause a sudden reverse reaction, kicking the guide bar up and back towards the operator (Fig. B).

Pinching the saw chain along the top of the guide bar may push the guide bar rapidly back towards the operator (Fig. C).

Fig. B & C operation description see below:

B-1	Rotational kickback
C-1	Linear kickback

Either of these reactions may cause you to lose control of the saw which could result in serious personal injury. Do not rely exclusively upon the safety devices built into your saw.

As a chain saw user, you should take several steps to keep your cutting jobs free from accident or injury.

Kickback is the result of tool misuse and/or incorrect operating procedures or conditions and can be avoided by taking proper precautions as given below:

- **Maintain a firm grip, with thumbs and fingers encircling the chain saw handles, with both hands on the saw and position your body and arm to allow you to resist kickback forces (Fig. E).** Kickback forces can be controlled by the operator, if proper precautions are taken. Do not let go of the chain saw.
- **Do not overreach and do not cut above shoulder height.** This helps prevent unintended tip contact and enables better control of the chain saw in unexpected situations.
- **Only use replacement bars and chains specified by the manufacturer.** Incorrect replacement bars and chains may cause chain breakage and/or kickback.
- **Follow the manufacturer's sharpening and maintenance instructions for the saw chain.** Decreasing the depth gauge height can lead to increased kickback.

- **Make sure that the area in which you are cutting is free from obstructions.** Do not let the nose of the guide bar contact a log, branch, fence, or any other obstruction that could be hit while you are operating the saw.
- **Always cut with the unit running at full speed.** Fully squeeze the switch trigger and maintain cutting speed.
- **With a basic understanding of kickback, you can reduce or eliminate the element of surprise.** Sudden surprise contributes to accidents.
- **Keep proper footing and balance at all times.**
- **Push and Pull** – The reaction force is always opposite to the direction the chain is moving where wood contact is made. Thus, the operator must be ready to control the PULL when cutting on the bottom edge of the bar, and the PUSH when cutting along the top edge (Fig. F).

KICKBACK SAFETY DEVICES ON THIS CHAIN SAW

Chain Brake

The chain saw comes equipped with a chain brake, which stops both the motor and the motion of the chain when kickback occurs. The chain brake can be activated by the forward motion of the chain kickback brake handle as the saw rotates backward during kickback; it can also be activated by the inertial forces generated during rapid pushback.

⚠ WARNING: Never modify or attempt to disable the chain brake.

Make sure that the chain brake is working properly before using the chain saw. The chain kickback brake handle should move back and forth easily.

To test the operation of the chain brake, perform the following steps (Fig. G):

- Place the chain saw on a flat bare surface and make sure no objects or obstructions that could come in contact with the bar and chain are in the immediate vicinity.
- Disengage the chain brake by pulling the chain kickback brake handle towards the front handle.
- Start the chain saw.
- Push the chain kickback brake handle towards the front of the saw. A properly functioning hand brake will stop the movement of the chain immediately. If the chain brake is not working properly, do not use the chain saw until it has been repaired by a qualified service technician.

Fig. G operation description see below:

G-1	Chain kickback brake handle in operating position
G-2	Chain kickback brake handle in brake position

⚠ WARNING: Confirm that the chain brake works properly before each use.



EN

⚠ WARNING: If the chain brake is clogged with wood chips, the function of the chain brake may deteriorate. Always keep the device clean.

Low Kickback Saw Chain

The rakers (depth gauges) ahead of each cutter can minimize the force of a kickback reaction by preventing the cutters from digging in too deeply at the kickback zone. Only use a replacement chain that is equivalent to the original chain or has been certified one.

⚠ CAUTION: As saw chains are sharpened during their useful life, they lose some of the low kickback qualities and extra caution should be used.

ADDITIONAL WARNINGS

- **A chain saw is intended for two-handed use.** Serious injury to the operator, helpers, and/or bystanders can result from one-handed operation.
- **Avoid unintentional contact with the stationary saw chain or guide bar rails.** These can be very sharp. Always wear gloves and long pants or chaps when handling the chain saw, saw chain, or guide bar.
- **Never operate a chain saw that is damaged or improperly adjusted or that is not completely and securely assembled.** Be sure that the saw chain stops moving when the trigger switch is released.
- **Inspect the work piece for nails, wire, or other foreign objects prior to cutting.**
- **When bucking, secure the work piece prior to cutting. When felling or pruning, identify and secure hazardous branches.**
- **Aggressive or abusive cutting or misuse of the chain saw can cause premature bar, chain, and/or sprocket wear, as well as broken chain or bar, leading to kickback, chain throw or the ejection of material.**
- **Never use the guide bar as a lever.** A bent guide bar can cause premature bar, chain, and/or sprocket wear, as well as a broken chain or bar, leading to kickback, chain throw or the ejection of material.
- **Cut only one work piece at a time.**
- **Use only with EGO's battery packs and chargers.**

BATTERY	CHARGER
BA1120E, BA2240E, BA2800, BA3360, BA4200	CH5500E, CH2100E

- **Do not charge the battery pack in rain or in wet locations.**

- **Plan the work, ensuring an obstacle-free work area and, in the case of felling, at least one escape path from the falling tree.**
- **When felling, keep bystanders at least two tree lengths away.**
- **If situations occur which are not covered in this manual, use care and good judgment. Contact EGO Customer Service for assistance.**

GUIDE BAR

This saw comes equipped with a guide bar that has a small radius nose. Small radius noses generally have less potential for kickback. When replacing the guide bar, be sure to order the bar listed in this manual.

SAVE THESE INSTRUCTIONS!

SPECIFICATIONS

Model	CS1400E	CS1600E
Voltage	56 V ---	56 V ---
Guide Bar Length	350 mm	400 mm
Chain Pitch	9.5 mm	9.5 mm
Chain Gauge	1.1 mm	1.1 mm
Saw Chain Type	90PX052X (Oregon)	90PX052X (Oregon) 90PX056X (Oregon)
Guide Bar Type	144MLEA041 (Oregon)	144MLEA041 (Oregon) 164MLEA041 (Oregon)
Chain Oil Tank Capacity	150 ml	150 ml
Weight (without battery pack, chain sheath)	3.81 Kg	3.86 Kg
Measured sound power level L_{WA}	96.73 dB(A) $K_{WA}=2.5$ dB(A)	96.4 dB(A) $K_{WA}=2.5$ dB(A)
Sound pressure level at operator's ear L_{PA}	85.73 dB(A) $K_{PA}=2.5$ dB(A)	85.4 dB(A) $K_{PA}=2.5$ dB(A)
Guaranteed sound power level L_{WA} (according to 2000/14/EC)	100 dB(A)	99 dB(A)
Vibration a_h	Rear Handle	5.373 m/s ² $K=1.5$ m/s ²
	Front Handle	4.146 m/s ² $K=1.5$ m/s ²

- The declared vibration total value has been measured in accordance with a standard test method and may be used for comparing one tool with another;
- The declared vibration total value may also be used in a preliminary assessment of exposure.

NOTICE: The vibration emission during actual use of the power tool can differ from the declared value in which the tool is used; in order to protect the operator, user should wear gloves and ear protectors in the actual conditions of use.

PACKING LIST

PART NAME	QUANTITY
Chain saw power head	1
Saw chain	1
Guide bar	1
Chain sheath	1
Operator's manual	1

DESCRIPTION

KNOW YOUR CHAIN SAW (Fig. A)

1. Trigger Switch
2. Lock-off Button
3. Battery-release Button
4. Oil Tank Cap
5. Oil Inspection Window
6. Saw Chain
7. Guide Bar
8. Latch
9. Ejection Mechanism
10. Electric Contacts
11. Chain Kickback Brake Handle
12. Chain Tensioning Knob
13. Front Handle
14. Rear Handle
15. Chain Tensioning Screw
16. Side Cover
17. Side Cover Knob
18. Chain Sheath
19. Lubricating Hole
20. Sprocket in Guide Bar Tip

NOTICE: The chain kickback brake handle services as the lever for chain brake activation. It also provides protection against projecting branches and helps prevent the left hand from touching the saw chain if it slips off the front handle.

ASSEMBLY

⚠ WARNING: If any parts are damaged or missing, do not operate this product until the parts are replaced. Use of this product with damaged or missing parts could result in serious personal injury.

⚠ WARNING: Do not attempt to modify this product or create accessories not recommended for use with this chain saw. Any such alteration or modification is misuse and could result in a hazardous condition leading to possible serious personal injury.

⚠ WARNING: To prevent accidental starting that could cause serious personal injury, always remove the battery pack from the tool when assembling parts.

ASSEMBLING/REPLACING THE BAR AND CHAIN

⚠ WARNING: Always wear gloves when handling the bar and chain; these components are sharp and may contain burrs.

1. Position the chain saw power head on its side with the side cover facing upwards (Fig. H).
2. Turn the side cover knob counterclockwise to remove the side cover and then loosen the chain tensioning knob as much as possible.
3. Lay the new saw chain in a loop on a flat surface and straighten any kinks (Fig. I).
4. Place the chain drive links into the guide bar groove and make the chain a loop at the back of the guide bar (Fig. J).
5. Hold the chain in position on the guide bar and place the loop around the sprocket of the power head.
6. Slide the guide bar slot over the alignment flanges until the tension adjusting pin is inserted in the lower hole in the tail of the bar (Fig. L1).

NOTICE: Small directional arrows are engraved in the saw chain. Another directional arrow is molded into the housing. When looping the saw chain onto the sprocket, make sure that the direction of the arrows on the saw chain will correspond to the direction of the arrow on the housing. If they face in opposite directions, turn over the saw chain and guide bar assembly (Fig. L2).

7. Replace the side cover and slightly tighten the side cover knob.

8. Lift the tip of the guide bar up to check for sag (Fig. K). Release the tip of the guide bar and turn the chain tensioning knob clockwise. Repeat this process until the sag is eliminated.
9. Tighten the side cover knob securely to ensure that the saw chain is properly tensioned before using.

Fig. J & L parts description see below:

J-1	Chain Drive Links	L-2	Tension Adjusting Pin
J-2	Guide Bar Groove	L-3	Guide Bar Slot
L-1	Alignment Flange	L-4	Sprocket

NOTICE: To extend the guide bar life, invert the bar occasionally.

NOTICE: If chain is too tight, it will not rotate. Loosen the side cover knob slightly and turn the tensioning knob once from right to left. Lift the tip of the guide bar up and retighten the side cover knob securely. Assure that the chain will rotate without binding.

ADJUSTING THE CHAIN TENSION

- Stop the motor and remove the battery pack before adjusting the chain tension. Make sure the side cover knob is loosened. Turn the chain tensioning knob clockwise to tension the chain. See the section: **“REPLACE THE BAR AND CHAIN”** for additional information.
- A cold chain is correctly tensioned when there is no slack on the underside of the guide bar and the chain is snug, but it can be turned by hand without binding. The chain must be re-tensioned whenever the flats on the drive links do not sit in the bar groove.
- During normal saw operation, the temperature of the chain will increase. The drive links of a correctly tensioned warm chain will hang approximately 1.3 mm out of the bar groove (Fig. M).

NOTICE: New chains tend to stretch; check chain tension frequently and tension as required.

NOTICE: A chain tensioned while it is warm may be too tight upon cooling. Check the cold tension before next use.

OPERATION

⚠ WARNING: Do not allow familiarity with this product to make you careless. Remember that a careless fraction of a second is sufficient to inflict serious injury.

⚠ WARNING: Always wear eye protection with side shields. Failure to do so could result in objects being thrown into your eyes and other possible serious injuries.

⚠ WARNING: Do not use any attachments or accessories not recommended by the manufacturer of this product. The use of attachments or accessories not recommended can result in serious personal injury.

⚠ WARNING: To prevent accidental starting that could cause serious personal injury, always remove the battery pack from the tool when assembling parts, making adjustments, cleaning, or when not in use.

Before each use, inspect the entire product for damaged, missing, or loose parts, such as screws, nuts, bolts, caps, etc. Securely tighten all fasteners and caps and do not operate this product until all missing or damaged parts are replaced.

APPLICATION

You may use this product for basic felling, limbing, pruning and woodcutting of lumber and trees.

NOTICE: The tool is to be used only for its prescribed purpose. Any other use is deemed to be a case of misuse.

FILLING BAR AND CHAIN LUBRICANT

⚠ WARNING: Do not smoke or bring any fire or flame near the oil or the chain saw. Oil may spill and cause a fire.

NOTICE: The chain saw is not filled with oil at the time of purchase. It is essential to fill the tank with oil before use. The chain is automatically lubricated with chain oil during operation.

1. Position the chain saw on its side with its oil tank cap facing towards.
2. Clean the cap as well as the area around and then turn it counterclockwise to remove (Fig. N).
3. Carefully pour the specifically designed oil into the tank until reaching the bottom of the filter neck.
4. Wipe off any excessive oil and replace the cap.

NOTICE: With upright position, oil should fill the inspection window. When the oil is no longer visible in the inspection window, stop use immediately and refill.

ATTACHING/DETACHING THE BATTERY PACK

Fully charge before first use.

To Attach (Fig. O)

Align the battery ribs with the mounting slots and press the battery pack down until you hear a “click”.

To Detach (Fig. P)

Depress the battery-release button and pull the battery pack out.

STARTING/STOPPING THE CHAIN SAW

NOTICE: Before starting the chain saw, check for the oil level, saw teeth sharpness and properly-working kickback brake handle. Besides, balanced footing and proper distance away from the ground are needed.

To Start

1. Pull the chain kickback brake handle towards the front handle to the operating position (Fig. G).
2. Grasp the front and rear handles firmly, using both hands.
3. Press down the lock-off button first, then squeeze the trigger switch to start (Fig. Q). Release the lock-off button and continue to squeeze the trigger for continued operation.

⚠ WARNING: Do not attempt to start the saw when the saw chain is in a cut.

To Stop

1. Release the trigger switch.
2. Push the chain kickback brake handle forward to the brake position to engage the chain brake (Fig. G).

⚠ WARNING: Always remove the battery pack from the chain saw during work breaks and after finishing work.

Proper Grip On Handles (Fig. E)

- Wear non-slip gloves for maximum grip and protection.
- With the saw on a firm, flat surface, hold the saw firmly with both hands.
- Always grasp the front handle with the left hand and the rear handle with the right.
- The fingers should encircle the handle, with the thumb wrapped under the front handle.

⚠ WARNING: Never use a left-handed (cross-handed) grip, or any stance which would place your body or arm across the chain line (Fig. R).

Proper Cutting Stance (Fig. S)

- Both feet should be on solid ground, with weight evenly spread between them.
- The left arm should be straight, with the elbow locked. This helps to withstand the forces generated by kickback.
- Your body should always be to the left of the chain line.

INSTRUCTIONS CONCERNING THE PROPER TECHNIQUES FOR BASIC FELLING, LIMBING, AND CROSS-CUTTING

⚠ WARNING: Always be sure of your footing and hold the chain saw firmly with both hands while the motor is running.

⚠ WARNING: When the saw chain is stopped due to pinching during cutting, release the trigger switch; remove the saw chain and guide bar from the wood, then restart the chain saw.

⚠ WARNING: Do not pull the saw chain with hand when it is bound by the sawdust. Serious injury could result if the chain saw starts accidentally. Press the saw chain against the wood, move the chain saw back and forth to discharge the debris. Always remove the battery pack before cleaning. Wear heavy protective gloves when handling the saw chain.

⚠ WARNING: Never start the chain saw when it is in contact with the wood. Always allow the chain saw reach full speed before applying the saw to the wood.

Felling a tree

- When bucking and felling operations are being performed by two or more persons at the same time, the felling operation should be separated from the bucking operation by a distance of at least twice the height of the tree being felled. Trees should not be felled in a manner that would endanger any person, strike any utility line or cause any property damage. If the tree does make contact with any utility line, the utility company should be notified immediately.
- The chain saw operator should stand on the uphill side of the terrain, as the tree is likely to roll or slide downhill after it is felled.
- An escape path should be planned and cleared as necessary before cuts are started. The escape path should extend back and diagonally to the rear of the expected line of fall as Fig. T shown.
- Before felling is started, consider the natural lean of the tree, the location of larger branches and the wind direction to judge which way the tree will fall.
- Remove dirt, stones, loose bark, nails, staples and wire from the tree.

EN

Notching undercut

Make the notch 1/3 the diameter of the tree, perpendicular to the direction of falls as Fig. U shown. Make the lower horizontal notching cut first. This will help to avoid pinching either the saw chain or the guide bar when the second notch is being made.

Felling back cut

- Make the felling back cut at least 50 mm higher than the horizontal notching cut as Fig. U shown. Keep the felling back cut parallel to the horizontal notching cut. Make the felling back cut so enough wood is left to act as a hinge. The hinge wood keeps the tree from twisting and falling in the wrong direction. Do not cut through the hinge.
- As the felling gets close to the hinge, the tree should begin to fall. If there is any chance that the tree may not fall in desired direction or it may rock back and bind the saw chain, stop cutting before the felling back cut is complete and use wedges of wood, plastic or aluminium to open the cut and drop the tree along the desired line of fall.
- When the tree begins to fall remove the chain saw from the cut, stop the motor, put the chain saw down, then use the retreat path planned. Be alert for overhead limbs falling and watch your footing.

Fig. T & U parts description see below:

T-1	Felling direction	U-2	Notch
T-2	Safety retreat path	U-3	Felling back cut
U-1	Direction of fall	U-4	Hinge

Limbing a tree

Limbing is removing the branches from a fallen tree. When limbing leave larger lower limbs to support the log off the ground. Remove the small limbs in one cut as Fig. V shown. Branches under tension should be cut from the bottom up to avoid binding the chain saw.

Bucking a log

- Bucking is cutting a log into lengths. It is important to make sure your footing is firm and your weight is evenly distributed on both feet. When possible, the log should be raised and supported by the use of limbs, logs or chocks. Follow the simple directions for easy cutting.

- When the log is supported along its entire length as Fig. W1 shown, it is cut from the top (overbuck).
- When the log is supported on one end, as Fig. W2 shown, cut 1/3 the diameter from the underside (underbuck). Then make the finished cut by overbucking to meet the first cut.
- When the log is supported on both ends, as Fig. W3 shown, cut 1/3 the diameter from the top (overbuck). Then make the finished cut by underbucking the lower 2/3 to meet the first cut.
- When bucking on a slope always stand on the uphill side of the log, as Fig. X shown.
- When "cutting through", to maintain complete control release the cutting pressure near the end of the cut without relaxing your grip on the chain saw handles. Don't let the chain contact the ground. After completing the cut, wait for the saw chain to stop before you move the chain saw. Always stop the motor before moving from tree to tree.

MAINTENANCE

WARNING: When servicing, use only identical replacement parts. Use of any other parts may create a hazard or cause product damage.

WARNING: Always wear protective gloves when performing any maintenance to the chain saw.

WARNING: To avoid serious personal injury, remove the battery pack from the chain saw before inspecting, cleaning, or performing maintenance. A battery operated tool with the battery pack inserted is always on and can start accidentally.

WARNING: When cleaning the chain saw, DO NOT immerse in water or other liquids.

WARNING: Do not at any time let brake fluids, petrol, petroleum-based products, penetrating oils, etc., come in contact with plastic parts. Chemicals can damage, weaken, or destroy plastic, which may result in serious personal injury.

CLEANING

- After each use, clean debris from the chain and guide bar with a soft brush. Wipe the chain saw surface with a clean cloth moistened with a mild soap solution.
- Remove the side cover, and then use a soft brush to remove debris from the guide bar, saw chain, sprocket and side cover.

- Always clean out wood chips, saw dust, and dirt from the guide bar groove when replacing the saw chain.

REPLACING THE BAR AND CHAIN

⚠ WARNING: Never touch or adjust the chain while the motor is running. The saw chain is very sharp.

NOTICE: When replacing the guide bar and chain, always use the specified bar and chain combination listed in the manual.

Disassemble the Worn Bar and Chain (Fig. Y)

1. Remove the battery, allow the saw to cool and tighten the oil tank cap.
2. Position the chain saw on its side with the side cover facing upwards.
3. Wear gloves. Remove the side cover by turning the side cover knob counterclockwise. Clean the side cover with a dry cloth.

NOTICE: This is a good time to inspect the drive sprocket for excessive wear or damage.

Assemble The New Bar And Chain

Follow the instructions in the **ASSEMBLING/REPLACING THE BAR AND CHAIN** section in this manual.

Adjust The Chain Tension

Follow the instructions in the **ADJUSTING THE CHAIN TENSION** section in this manual.

CHAIN MAINTENANCE

⚠ WARNING: Always wear gloves when handling the saw chain; these components are sharp and may contain burrs.

Use only low-kickback chains on this saw. This fast cutting chain will provide kickback reduction when properly maintained.

A properly sharpened saw chain cuts through wood effortlessly, even with very little pressure.

Never use a dull or damaged saw chain. A dull saw chain cutter leads to increased physical strain, increased vibration load, unsatisfactory cutting results and increased wear.

For smooth and fast cutting, the chain needs to be maintained properly. The chain requires sharpening when the wood chips are small and powdery, the chain must be forced through the wood during cutting, or the chain cuts to one side. During maintenance of your chain, consider the following:

- Improper filing angle of the side plate can increase the risk of a severe kickback.
- Raker (depth gauge) clearance. Too low increases the potential for kickback. Not low enough decreases cutting ability.
- If cutter teeth have hit hard objects, such as nails and stones, or have been abraded by mud or sand on the wood, have the chain sharpened by a qualified service technician.

NOTICE: Inspect the drive sprocket for wear or damage when replacing the chain. If signs of wear or damage are present in the areas indicated, have the drive sprocket replaced by qualified service technician.

GUIDE BAR MAINTENANCE

When the guide bar shows signs of wear, reverse it on the saw to distribute the wear for maximum bar life. The bar should be cleaned every day of use and checked for wear and damage. Feathering or burring of the bar rails is a normal process of bar wear. Such faults should be smoothed with a file as soon as they occur. A bar with any of the following faults should be replaced.

- Wear inside the bar rails which permits the chain to lay over sideways.
- Bent guide bar.
- Cracked or broken rails.
- Spread rails.

In addition, the guide bar has a sprocket at its tip (Fig. A-20). The sprocket must be lubricated weekly with a grease syringe to extend the guide bar life. Use a grease syringe to lubricate weekly with chain oil by means of the lubricating hole (Fig. A-19). Turn the guide bar and check that the lubrication holes and chain groove are free from impurities.

TRANSPORTING AND STORING

- Do not store or transport the chain saw when it is running. Always remove the battery pack before storing or transporting.
- Always place the guide bar sheath on the guide bar and chain before storing or transporting the chain saw. Use caution to avoid the sharp teeth of the chain.
- Clean the chain saw thoroughly before storing. Store the chain saw indoors, in a dry place that is locked and/or inaccessible to children.
- Keep away from corrosive agents such as garden chemicals and de-icing salts.



Protecting the environment

EN



Do not dispose of electrical equipment, battery charger and batteries/rechargeable batteries into household waste!

According to the European law 2012/19/EU, electrical and electronic equipment that is no longer usable, and according to the European law 2006/66/EC, defective or used battery packs/batteries, must be collected separately.

If electrical appliances are disposed of in landfills or dumps, hazardous substances can leak into the groundwater and get into the food chain, damaging your health and well-being.

EC DECLARATION OF CONFORMITY



We, CHERVON EUROPE LTD.

47 CASTLE STREET, READING, RG1 7SR, UNITED KINGDOM

Declare that the product **56V lithium-ion cordless chain saw CS1400E/CS1600E**, complies with the essential health and safety requirements of the following Directives:

2006/42/EC, 2004/108/EC, 2011/65/EU, 2000/14/EC

Standards and technical specifications referred to:

EN 60745-1, EN 60745-2-13, EN 55014-1, EN 55014-2

	CS1400E	CS1600E
Measured Sound Power Level:	96.73 dB(A)	96.4 dB(A)
Guaranteed Sound Power Level:	100 dB(A)	99 dB(A)

Peter Melrose
Vice President of Chervon Europe

Dong Jianxun
Quality Manager of Chervon

* (Authorized representative for CHERVON and responsible for technical documentation)

01/01/2016

Name, address and identification number of the notified body:

TÜV Rheinland LGA Products GmbH; Tillystraße 2 D - 90431 Nürnberg, Germany; 0197.

Number of the EC type-examination certificate:

BM 50326004 0001 (CS1600E)

BM 50296271 0001 (CS1400E)



TROUBLESHOOTING

⚠ WARNING: Always protect your hands by wearing heavy gloves when performing any maintenance on the saw chain. Always remove the battery pack when servicing or transporting the chain saw.

EN

PROBLEM	CAUSE	SOLUTION
Motor does not run	<ul style="list-style-type: none">■ The battery pack is not attached to the chain saw.■ There is no electrical contact between the saw and battery.■ The battery pack is depleted.■ The battery pack or chain saw is too hot.■ The lock-off button is not depressed before pressing the trigger switch.■ Chain brake is engaged.■ Saw chain is bound in the wood.■ Debris in bar groove.■ Debris in side cover.	<ul style="list-style-type: none">■ Attach the battery pack to the chain saw.■ Remove the battery, check contacts and reinstall the battery pack.■ Charge the battery pack.■ Allow the battery pack or chain saw to cool until the temperature drops below 67°C.■ Press down the lock-off button and hold it, then depress the trigger switch to turn on the chain saw.■ Pull the chain kickback brake handle backward toward the front handle.■ Release the trigger switch; remove the saw chain and guide bar from the wood, then restart the chain saw.■ Press the saw chain against the wood, move the chain saw back and forth to discharge the debris.■ Remove battery pack, then remove side cover and clean out debris.
Motor runs, but chain does not rotate	<ul style="list-style-type: none">■ Chain does not engage drive sprocket.	<ul style="list-style-type: none">■ Reinstall the chain, making sure that the drive links on the chain are fully seated on the sprocket.
Chain brake does not engage	<ul style="list-style-type: none">■ Debris preventing full movement of the chain kickback brake handle.■ Possible chain brake malfunction	<ul style="list-style-type: none">■ Clean debris from external chain brake mechanism.■ Contact EGO Customer Service.



EN

PROBLEM	CAUSE	SOLUTION
Chain saw does not cut properly	<ul style="list-style-type: none"> ■ Insufficient chain tension. ■ Dull chain. ■ Chain installed backwards. ■ Worn chain. ■ Dry or excessively stretched chain. ■ Chain not in bar groove. 	<ul style="list-style-type: none"> ■ Readjust the chain tension, following the section: “ADJUSTING THE CHAIN TENSION”. ■ Sharpen the chain cutters, following the section: “HOW TO SHARPEN THE CUTTERS”. ■ Reinstall the saw chain, following the section: “REPLACE THE BAR AND CHAIN”. ■ Replace the chain, following the section: “REPLACE THE BAR AND CHAIN”. ■ Check the oil level. Refill the oil tank if necessary. ■ Reinstall the saw chain, following the section: “REPLACE THE BAR AND CHAIN”.
Bar and chain running hot and smoking	<ul style="list-style-type: none"> ■ Check chain tension for over tightened condition. ■ Chain oil tank is empty. ■ Debris in guide bar groove. 	<ul style="list-style-type: none"> ■ Re-tension the saw chain; see the section: “ADJUSTING THE CHAIN TENSION”. ■ Filling bar and chain lubricant. ■ Clear the debris in the groove.

WARRANTY

EGO WARRANTY POLICY

Please visit the website egopowerplus.com for full terms and conditions of the EGO Warranty policy.

LESEN SIE ALLE ANWEISUNGEN!



LESEN UND BEACHTEN SIE DIE BEDIENUNGSANLEITUNG

⚠ Restrisiko! Menschen mit elektronischen Geräten, wie z.B. Herzschrittmachern, sollten ihren Arzt konsultieren, bevor sie dieses Gerät verwenden. Die Bedienung von Elektrogeräten in unmittelbarer Nähe zu Herzschrittmachern kann zu Interferenzen und Störungen des Schrittmachers führen.

⚠ WARNUNG: Um die Sicherheit und Zuverlässigkeit zu gewährleisten, sollten alle Reparaturen und der Austausch von Teilen nur von qualifizierten Servicetechnikern durchgeführt werden.

SICHERHEITSSYMBOL

Der Zweck von Sicherheitssymbolen besteht darin, Ihre Aufmerksamkeit auf mögliche Gefahren zu lenken. Die Sicherheitssymbole und deren Erklärungen verdienen Ihre vollste Aufmerksamkeit und Ihr Verständnis. Die Warnsymbole beseitigen nicht von sich aus die Gefahren. Ihre Anweisungen und Warnungen sind kein Ersatz für angemessene Unfallverhütungsmaßnahmen.

⚠ WARNUNG: Achten Sie darauf, dass Sie, bevor Sie das Gerät benutzen, alle Sicherheitsanweisungen dieser Bedienungsanleitung gelesen und verstanden haben, einschließlich aller Gefahrenzeichen wie „**VORSICHT**“, „**WARNUNG**“ und „**ACHTUNG**“. Die Nichtbeachtung der unten angeführten Anweisungen kann zu Stromschlägen, Feuer und/oder schweren Verletzungen führen.

SYMBOLBEDEUTUNG

SYMBOL FÜR SICHERHEITSWARNUNGEN: Weist auf GEFÄHR, eine WARNUNG oder VORSICHT hin. Kann zusammen mit anderen Symbolen oder Bildern verwendet werden





⚠ WARNUNG! Die Bedienung von Elektrogeräten kann dazu führen, dass Fremdkörper in Ihre Augen geschleudert werden und Sie dadurch schwerwiegende Augenschäden davontragen. Tragen Sie immer eine Schutzbrille, wenn möglich mit Seitenschutz, oder, falls nötig, einen vollen Gesichtsschutz, bevor Sie mit der Bedienung der Elektrogeräte beginnen. Wir empfehlen Ihnen, einen Gesichtsschutz über Ihrer eigenen Brille oder eine Standardsicherheitsbrille mit Seitenschutz zu tragen.

SICHERHEITSHINWEISE

Diese Seite zeigt und beschreibt die Sicherheitssymbole, die auf diesem Produkt erscheinen können. Lesen, verstehen und befolgen Sie die Anweisungen auf dem Gerät, bevor Sie versuchen, das Gerät zusammenzubauen oder zu bedienen.

	Sicherheitswarnung	Weist auf mögliche Verletzungsgefahr hin.
	Lesen Sie die Bedienungsanleitung	Um das Verletzungsrisiko zu verringern, muss der Benutzer die Bedienungsanleitung lesen.
	Augenschutz tragen	Tragen Sie immer eine Schutzbrille, möglichst mit Seitenschutz, und einen Gesichtsschutz, wenn Sie das Gerät bedienen.
	Gehörschutz tragen	Tragen Sie immer einen Gehörschutz, wenn Sie das Gerät bedienen.
	Kopfschutz tragen	Tragen Sie einen geprüften Helm, um Ihren Kopf zu schützen.
	Schutzhandschuhe tragen	Schützen Sie Ihre Hände mit Handschuhen, wenn Sie die Säge und die Sägekette anfassen. Robuste, rutschfeste Handschuhe verbessern Ihre Griffsicherheit und schützen Ihre Hände.
	Führungsschiene	Angaben zur Führungsschiene.
	Auf Rückstoß gefasst sein	Die Berührung eines Gegenstandes mit der Schienenspitze sollte vermieden werden.
	Rückstoß durch die Schienenspitze	Die Berührung mit der Schienenspitze kann dazu führen, dass sich die Führungsschiene ruckartig nach oben und nach hinten bewegt, wodurch schwere Verletzungen verursacht werden können.
	Beidhändig festhalten	Benutzen Sie immer beide Hände, wenn Sie die Kettensäge bedienen.
	Vor Regen schützen	Nicht im Regen verwenden oder bei Regen im Freien liegen lassen.
	CE-Kennzeichnung	Dieses Produkt stimmt mit den einschlägigen EG-Richtlinien überein.

DE

	Garantiertes Wert	Garantierte r Schallpegel Lärmemission an die Umgebung erfüllt EG-Richtlinie.
	WEEE	Elektrische Altgeräte dürfen nicht im Hausmüll entsorgt, sondern müssen einer offiziellen Recycling-Sammelstelle zugeführt werden.
V	Volt	Spannung
A	Ampere	Strom
Hz	Hertz	Frequenz
W	Watt	Leistung
min	Minuten	Zeit
	Wechselstrom	Stromzufuhr
	Gleichstrom	Art oder Eigenschaft der Stromzufuhr
n_0	Leerlaufdrehzahl	Drehzahl im Leerlauf
.../min	pro Minute	Umdrehungen pro Minute

ALLGEMEINE SICHERHEITSHINWEISE ZU ELEKTROWERKZEUGEN

⚠ ACHTUNG! Sämtliche Anweisungen sind zu lesen. Fehler bei der Einhaltung der nachstehend aufgeführten Anweisungen können elektrischen Schlag, Brand und/oder schwere Verletzungen verursachen.

Bewahren Sie alle Warn- und Bedienhinweise für Nachschlagezwecke auf.

Der nachfolgend verwendete Begriff „Elektrowerkzeug“ bezieht sich auf netzbetriebene Elektrowerkzeuge (mit Netzkabel) und auf akkubetriebene Elektrowerkzeuge (ohne Netzkabel).

ARBEITSPLATZ

- **Halten Sie Ihren Arbeitsbereich sauber und aufgeräumt.** Unordnung und unbeleuchtete Arbeitsbereiche können zu Unfällen führen.

- **Arbeiten Sie mit dem Gerät nicht in explosionsgefährdeter Umgebung, in der sich brennbare Flüssigkeiten, Gase oder Staub befinden.** Elektrowerkzeuge erzeugen Funken, die den Staub oder die Dämpfe entzünden können
- **Halten Sie Kinder und andere Personen während der Benutzung des Elektrowerkzeugs fern.** Bei Ablenkung können Sie die Kontrolle über das Gerät verlieren.

ELEKTRISCHE SICHERHEIT

- **Der Anschlussstecker des Gerätes muss in die Steckdose passen. Der Netzstecker darf in keener Weise verändert werden. Verwenden Sie keine Adapterstecker gemeinsam mit schutzgeerdeten Geräten. Unveränderte Netzstecker** und passende Steckdosen verringern das Risiko eines elektrischen Schlages
- **Vermeiden Sie Körperkontakt mit geerdeten Oberflächen, wie von Rohren, Heizungen, Herden und Kühlschränken.** Es besteht ein erhöhtes Risiko durch elektrischen Schlag, wenn Ihr Körper geerdet ist
- **Halten Sie das Gerät von Regen oder Nässe fern.** Das Eindringen von Wasser in ein Elektrogerät erhöht das Risiko eines elektrischen Schlages
- **Zweckentfremden Sie das Netzkabel nicht, um das Gerät zu tragen, aufzuhängen oder um den Netzstecker aus der Steckdose zu ziehen. Halten Sie das Netzkabel fern von Hitze, Öl, scharfen Kanten oder sich bewegenden Geräteteilen.** Beschädigte oder verwickelte Netzkabel erhöhen das Risiko eines elektrischen Schlages.
- **Wenn Sie mit einem Elektrowerkzeug im Freien arbeiten, verwenden Sie nur Verlängerungskabel, die auch für den Außenbereich zugelassen sind.** Die Anwendung eines für den Außenbereich geeigneten Verlängerungskabels verringert das Risiko eines elektrischen Schlages
- **Wenn sich Arbeiten mit einem Elektrowerkzeug in feuchten Umgebungen nicht vermeiden lassen, verwenden Sie eine Stromversorgung mit einer Fehlerstrom-Schutzeinrichtung (RCD).** Durch die Verwendung einer RCD wird die Gefahr eines elektrischen Schlags verringert

SICHERHEIT VON PERSONEN

- **Seien Sie aufmerksam. Achten Sie darauf, was Sie tun, und gehen Sie mit Vernunft an die Arbeit mit einem Elektrowerkzeug. Benutzen Sie das Gerät nicht, wenn Sie müde sind oder unter dem Einfluss von Drogen, Alkohol oder Medikamenten stehen.** Ein Moment der Unachtsamkeit beim Gebrauch des Gerätes kann zu ernsthaften Verletzungen führen.

- **Tragen Sie persönliche Schutzausrüstung und immer eine Schutzbrille.** Das Tragen persönlicher Schutzausrüstung, wie Staubmaske, rutschfeste Sicherheitsschuhe, Schutzhelm oder Gehörschutz, je nach Art und Einsatz des Elektrowerkzeuges, verringert das Risiko von Verletzungen.
- **Vermeiden Sie unbeabsichtigtes Starten. Vergewissern Sie sich, dass der Schalter in der Position „AUS(0)“ ist, bevor Sie den Netzstecker in die Steckdose stecken.** Wenn Sie beim Tragen des Geräts den Finger am Schalter haben oder das Gerät eingeschaltet an die Stromversorgung anschließen, kann dies zu Unfällen führen
- **Entfernen Sie Einstellwerkzeuge oder Schraubenschlüssel, bevor Sie das Gerät einschalten.** Ein Werkzeug oder Schlüssel, der sich in einem drehenden Geräteteil befindet, kann zu Verletzungen führen
- **Überschätzen Sie sich nicht. Sorgen Sie für einen sicheren Stand und halten Sie jederzeit das Gleichgewicht.** Dadurch können Sie das Gerät in unerwarteten Situationen besser kontrollieren.
- **Tragen Sie geeignete Kleidung. Tragen Sie keine weite Kleidung oder Schmuck. Halten Sie Haare, Kleidung und Handschuhe fern von sich bewegenden Teilen.** Lockere Kleidung, Schmuck oder lange Haare können von sich bewegenden Teilen erfasst werden
- **Wenn Staubabsaug- und -auffangeinrichtungen montiert werden können, vergewissern Sie sich, dass diese angeschlossen sind und richtig verwendet werden.** Das Verwenden dieser Einrichtungen verringert Gefährdungen durch Staub
- **Pflegen Sie das Gerät mit Sorgfalt. Kontrollieren Sie, ob bewegliche Geräteteile einwandfrei funktionieren und nicht klemmen, ob Teile gebrochen oder so beschädigt sind, dass die Funktion des Gerätes beeinträchtigt ist. Lassen Sie beschädigte Teile vor dem Einsatz des Gerätes reparieren.** Viele Unfälle haben ihre Ursache in schlecht gewarteten Elektrowerkzeugen
- **Halten Sie Schneidwerkzeuge scharf und sauber.** Sorgfältig gepflegte Schneidwerkzeuge mit scharfen Schneidkanten verkleben sich weniger und sind leichter zu führen
- **Sie dabei die Arbeitsbedingungen und die auszuführende Tätigkeit.** Der Gebrauch von Elektrowerkzeugen für andere als die vorgesehenen Anwendungen kann zu gefährlichen Situationen führen.

Umgang mit Akkuwerkzeugen

- **Zum Laden ist ausschließlich das vom Hersteller angegebene Ladegerät zu verwenden.** Ein Ladegerät, das für eine Art von Akkus geeignet ist, kann bei Verwendung mit einer anderen Art von Akku Brandgefahr verursachen.
- **Elektrowerkzeuge dürfen nur mit speziell dazu bestimmten Akkus verwendet werden,** da bei der Verwendung anderer Akkus Verletzungs- und Brandgefahr entstehen kann.
- **Wenn der Akku nicht in Gebrauch ist, ist er von Büroklammern, Münzen, Schlüssel, Nägel, Schrauben und anderen kleinen Metallobjekten fernzuhalten, die eine Verbindung zwischen den Polen bilden können.** Kurzschließen der Pole kann Brand oder Verbrennungen verursachen.
- **Bei falschem Umgang mit dem Akku kann Flüssigkeit aus dem Akku austreten. Die Berührung dieser Flüssigkeit ist zu vermeiden. Bei Berührung den betroffenen Körperteil mit Wasser abspülen. Bei Berührung der Flüssigkeit mit den Augen muss zusätzlich ärztliche Hilfe gerufen werden.** Die Akkuflüssigkeit kann Reizungen oder Verbrennungen verursachen.

SORGFÄLTIGER UMGANG UND GEBRAUCH VON ELEKTROWERKZEUGEN

- **Überlasten Sie das Gerät nicht. Verwenden Sie für Ihre Arbeit das dafür bestimmte Elektrowerkzeug.** Mit dem passenden Elektrowerkzeug arbeiten Sie besser und sicherer im angegebenen Leistungsbereich.
- **Benutzen Sie kein Elektrowerkzeug, dessen Schalter defekt ist.** Ein Elektrowerkzeug, das sich nicht mehr ein- oder ausschalten lässt, ist gefährlich und muss repariert werden
- **Ziehen Sie den Netzstecker aus der Steckdose, bevor Sie Geräteeinstellungen vornehmen, Zubehörteile wechseln oder das Gerät weglegen.** Diese Vorsichtsmaßnahme verhindert den unbeabsichtigten Start des Geräts
- **Bewahren Sie unbenutzte Elektrowerkzeuge außerhalb der Reichweite von Kindern auf. Lassen Sie Personen das Gerät nicht benutzen, die mit diesem nicht vertraut sind oder diese Anweisungen nicht gelesen haben.** Elektrowerkzeuge sind gefährlich, wenn Sie von unerfahrenen Personen benutzt werden.

WARTUNG

- **Lassen Sie Ihr Elektrowerkzeug von einer qualifizierten Fachkraft unter Verwendung von Originalersatzteilen reparieren.** Dadurch wird die sichere Funktionsweise des Elektrowerkzeuges gewährleistet.

SICHERHEITSHINWEISE ZU KETTENSÄGEN

- **Halten Sie alle Körperteile von der Kettensäge fern, wenn die Kettensäge in Betrieb ist. Bevor Sie die Kettensäge starten, vergewissern Sie sich, dass die Sägekette nichts berührt.** Ein Augenblick der Unaufmerksamkeit beim Betrieb von Kettensägen kann dazu führen, dass Ihre Kleidung oder Ihr Körper von der Kette erfasst wird.

- **Halten Sie die Kettensäge immer mit Ihrer rechten Hand am hinteren Griff und Ihrer linken Hand am vorderen Griff.** Wenn Sie die Kettensäge mit umgekehrter Anordnung der Hände halten, erhöht sich das Verletzungsrisiko. Aus diesem Grund sollte diese Haltung vermieden werden
- **Halten Sie das Elektrowerkzeug nur an den isolierten Halteflächen fest, da die Kettensäge versteckte Kabel berühren könnte.** Kettensägen, die mit einem „Strom führenden“ Kabel in Berührung kommen, können zu den freiliegenden Metallteilen des Elektrowerkzeugs Strom leiten und dem Benutzer einen Stromschlag zuführen
- **Tragen Sie eine Schutzbrille und Gehörschutz. Weitere Schutzausrüstungen für Kopf, Hände, Beine und Füße sind zu empfehlen.** Angemessene Schutzkleidung reduziert mögliche Verletzungen durch herumgeschleuderte Fremdkörper oder versehentlichen Kontakt mit der Sägekette
- **Benutzen Sie keine Kettensäge in einem Baum.** Die Benutzung einer Kettensäge, während Sie sich auf einem Baum befi kann zu Verletzungen führen.
- **Immer für festen Stand sorgen und die Kettensäge nur dann benutzen, wenn Sie auf festem, sicherem und ebenem Untergrund stehen.** Rutschige oder wackelige Flächen wie zum Beispiel Leitern können zum Verlust des Gleichgewichts oder der Kontrolle über die Kettensäge führen.
- **Wenn Sie einen Ast schneiden, der unter Spannung steht, nehmen Sie sich vor Rückschlag in acht.** Wenn die Spannung in den Holzfasern gelöst wird, kann der unter Spannung stehende Ast den Benutzer treffen und/oder die Kettensäge kann außer Kontrolle geraten.
- **Seien Sie besonders vorsichtig beim Schneiden von Buschwerk und jungen Trieben.** Das dünne Schnittgut kann von der Sägekette erfasst werden und in Ihre Richtung geschleudert werden oder Sie aus dem Gleichgewicht bringen.
- **Tragen Sie die Kettensäge ausgeschaltet am vorderen Griff und von Ihrem Körper weg zeigend. Wenn Sie die Kettensäge transportieren oder lagern, befestigen Sie immer die Führungsschienenabdeckung.** Die sachgemäße Handhabung der Kettensäge reduziert die Wahrscheinlichkeit eines versehentlichen Kontakts mit der laufenden Sägekette
- **Folgen Sie den Anleitungen zum Ölen, Spannen der Kette und Auswechseln des Zubehörs.** Eine unsachgemäß gespannte oder geölte Kette kann entweder brechen oder die Rückschlaggefahr erhöhen.
- **Halten Sie die Griffe trocken, sauber und frei von Öl oder Fett.** Schmierige, ölige Griffe sind rutschig und führen zum Kontrollverlust

- **Schneiden Sie nur Holz. Benutzen Sie die Kettensäge nicht für Zwecke, für die sie nicht vorgesehen ist. Zum Beispiel: Schneiden Sie mit der Kettensäge keinen Kunststoff, Mauerwerk oder Baumaterialien, die nicht aus Holz sind.** Die Verwendung der Kettensäge für Aufgaben, die von ihrem bestimmungsgemäßen Zweck abweichen, kann zu gefährlichen Situationen führen.

URSACHEN UND VERMEIDUNG EINES RÜCKSCHLAGS (ABB. B, C, D & E)

Rückschlag kann auftreten, wenn die Spitze der Führungsschiene einen Gegenstand berührt oder wenn das Holz sich biegt und die Sägekette im Schnitt festklemmt.

Eine Berührung mit der Schienenspitze kann in manchen Fällen zu einer unerwarteten nach hinten gerichteten Reaktion führen, bei der die Führungsschiene nach oben und in Richtung des Bedieners geschlagen wird (Abb. B).

Das Verklemmen der Sägekette an der Oberkante der Führungsschiene kann die Schiene rasch in Bedierrichtung zurückstoßen (Abb. C).

Beschreibung zu Abb. B und C, siehe unten:

B-1	Rückstoß mit Drehkräften
C-1	Linearer Rückstoß

Jede dieser Reaktionen kann dazu führen, dass Sie die Kontrolle über die Säge verlieren und sich möglicherweise schwer verletzen. Verlassen Sie sich nicht ausschließlich auf die in der Kettensäge eingebauten Sicherheitseinrichtungen

Als Benutzer einer Kettensäge sollten Sie verschiedene Maßnahmen ergreifen, um unfall- und erlitzungsfrei arbeiten zu können

Ein Rückschlag ist die Folge eines falschen oder fehlerhaften Gebrauchs des Elektrowerkzeugs. Er kann durch geeignete Vorsichtsmaßnahmen, wie nachfolgend beschrieben, verhindert werden:

- **Halten Sie die Säge mit beiden Händen fest, wobei Daumen und Finger die Griffe der Kettensäge umschließen. Bringen Sie Ihren Körper und die Arme in eine Stellung, in der Sie den Rückschlagkräften standhalten können (Abb. E).** Wenn geeignete Maßnahmen getroffen werden, kann der Bediener die Rückschlagkräfte beherrschen. Niemals die Kettensäge loslassen.
- **Vermeiden Sie eine abnormale Körperhaltung und sägen Sie nicht über Schulterhöhe.** Dadurch wird ein unbeabsichtigtes Berühren mit der Schienenspitze vermieden und eine bessere Kontrolle der Kettensäge in unerwarteten Situationen ermöglicht.

- **Verwenden Sie stets vom Hersteller vorgeschriebene Ersatzschiene und Sägeketten.** Falsche Ersatzschiene und Sägeketten können zum Reißen der Kette und/oder zu Rückschlag führen.
- **Halten Sie sich an die Anweisungen des Herstellers für das Schärfen und die Wartung der Sägekette.** Zu niedrige Tiefenbegrenzer erhöhen die Neigung zum Rückschlag.
- **Stellen Sie sicher, dass der Bereich, in dem Sie arbeiten, frei von Hindernissen ist.** Lassen Sie die Spitze der Führungsschiene nicht mit einem Holzstamm, Ast, Zaun oder anderen Hindernissen, die Sie beim Arbeiten mit der Säge treffen könnten, in Berührung kommen.
- **Schneiden Sie immer, wenn das Gerät mit voller Drehzahl läuft.** Drücken Sie den Auslöseschalter ganz durch und halten Sie die Sägedrehzahl aufrecht.
- **Wenn Sie im Wesentlichen verstehen, was ein Rückschlag ist, können Sie das Überraschungsmoment reduzieren und ausschließen.** Plötzliche Überraschungen erhöhen das Unfallrisiko.
- **Achten Sie stets auf einen festen Stand und halten Sie das Gleichgewicht.**
- **Drücken und Ziehen** – Die Reaktionskraft wirkt immer entgegengesetzt zur Kettenlaufrichtung, dort, wo die Säge das Holz berührt. Deshalb muss der Benutzer bereit sein, das ZIEHEN zu kontrollieren, wenn mit der Unterseite der Führungsschiene gesägt, und das Drücken, wenn mit der Oberseite gesägt wird. Siehe Abbildung (Abb. F).

RÜCKSCHLAG-SCHUTZVORRICHTUNGEN AN DIESER KETTENSÄGE

Kettenbremse

Die Kettensäge ist mit einer Kettenbremse ausgestattet, die sowohl den Motor als auch die Bewegung der Kette stoppt, wenn es zum Rückschlag kommt. Die Kettenbremse kann durch die Vorwärtsbewegung des Kettenbremshebels aktiviert werden, wenn die Säge während des Rückschlags rückwärts rotiert. Sie kann zudem durch die Trägheitskräfte ausgelöst werden, die beim Zurückschnellen entstehen.

⚠️ WARNUNG: Ändern oder versuchen Sie niemals, die Kettenbremse zu deaktivieren.

Vergewissern Sie sich, dass die Kettenbremse ordnungsgemäß funktioniert, bevor Sie die Kettensäge benutzen. Der Kettenbremshebel sollte sich mühelos vor und zurück bewegen lassen.

Um die Funktionsfähigkeit der Kettenbremse zu testen, führen Sie die folgenden Schritte aus (Abb. G):

- Legen Sie die Kettensäge auf eine freie, ebene Fläche und stellen Sie sicher, dass sich keine Objekte oder Hindernisse, die mit der Führungsschiene oder der Kette in Berührung kommen könnten, in unmittelbarer Nähe befinden.
- Deaktivieren Sie die Kettenbremse, indem Sie den Kettenbremshebel in Richtung des vorderen Griffs umlegen.
- Starten Sie die Kettensäge.
- Drücken Sie den Kettenbremshebel zur Vorderseite der Säge. Bei einer korrekt funktionierenden Handbremse wird die Bewegung der Kette sofort unterbrochen. Wenn die Kettenbremse nicht ordnungsgemäß funktioniert, darf die Kettensäge erst wieder benutzt werden, wenn sie von einem qualifizierten Servicetechniker repariert worden ist.

Beschreibung zu Abb. G siehe unten:

G-1	Kettenbremshebel in Betriebsposition
G-2	Kettenbremshebel in Bremsposition

⚠️ WARNUNG: Vergewissern Sie sich vor jedem Gebrauch, dass die Kettenbremse einwandfrei funktioniert.

⚠️ WARNUNG: Falls die Kettenbremse mit Holzschnitzeln verstopft ist, kann die Funktionsfähigkeit der Kettenbremse nachlassen. Halten Sie das Gerät stets sauber.

Rückschlagarme Sägekette

Die Räumzähne (Eingriffmesser) vor jedem Sägezahn können die Stärke des Rückschlags gering halten, indem sie verhindern, dass die Sägezähne zu tief in die Rückschlagzone eingreifen. Verwenden Sie nur eine Ersatzkette, die mit der Originalkette identisch ist oder zertifiziert ist.

⚠️ VORSICHT: Da Sägeketten über ihre Nutzungsdauer verteilt ab und zu nachgeschliffen werden, gehen ihre Rückschlag hemmenden Eigenschaften im Laufe der Zeit in gewissem Maße verloren. Daher ist besondere Vorsicht geboten.

WEITZERE WARNUNGEN

- **Eine Kettensäge ist für die Benutzung mit beiden Händen vorgesehen.** Durch die Bedienung mit nur einer Hand können Benutzer, Helfer und/oder Umstehende schwer verletzt werden.
- **Vermeiden Sie die unabsichtliche Berührung der unbeweglichen Sägekette oder der Führungsschiene.** Diese können sehr scharf sein. Tragen Sie immer Handschuhe und lange Hosen oder Beinschützer, wenn Sie die Kettensäge, die Sägekette oder Führungsschiene handhaben.

- **Benutzen Sie niemals eine Kettensäge, die beschädigt ist oder unkorrekt eingestellt oder nicht komplett und sicher zusammengebaut ist.** Achten Sie darauf, dass die Sägekette aufgehört hat sich zu bewegen, nachdem Sie den Auslöseschalter losgelassen haben
- **Untersuchen Sie das Werkstück auf Nägel, Drähte oder andere Fremdkörper, bevor Sie es schneiden.**
- **Fixieren Sie beim Ablängen das Werkstück vor dem Sägen. Wenn Sie Bäume fällen oder beschneiden, identifizieren und fixieren Sie gefährliche Äste.**
- **Aggressives oder fehlerhaftes Schneiden oder Fehlgebrauch der Kettensäge kann zu vorzeitigem Verschleiß oder Beschädigung der Schiene, Kette und/oder dem Kettenrad führen, wodurch ein Rückschlag, Herausspringen der Kette oder das Wegschleudern von Material verursacht werden kann.**
- **Benutzen Sie die Führungsschiene niemals als Hebel.** Eine verbogene Führungsschiene kann zu vorzeitigem Verschleiß oder Beschädigung der Schiene, Kette und/oder dem Kettenrad führen, wodurch ein Rückschlag, Herausspringen der Kette oder das Wegschleudern von Material verursacht werden kann.
- **Schneiden Sie jeweils nur ein Werkstück.**
- **Verwenden Sie nur die Akkusätze und Ladegeräte, die hier aufgelistet sind:**

AKKU	LADEGERÄT
BA1120E, BA2240E, BA2800, BA3360, BA4200	CH5500E, CH2100E

- **Laden Sie den Akkusatz nicht im Regen oder an nassen Orten auf.**
- **Planen Sie die Arbeit und stellen Sie hierzu sicher, dass der Arbeitsbereich frei von Hindernissen ist und, falls Sie planen, Bäume zu fällen, mindestens ein Rückzugsweg vom umstürzenden Baum vorhanden ist.**
- **Wenn Sie Bäume fällen, halten Sie Umstehende mindestens zwei Baumrängen auf Abstand.**
- **Falls Situationen auftreten, die nicht in dieser Bedienungsanleitung behandelt werden, gehen Sie vorsichtig und vernünftig vor. Wenden Sie sich an den EGO-Kundendienst, um Hilfe zu erhalten.**

FÜHRUNGSSCHIENE

Diese Kettensäge wird mit einer Führungsschiene geliefert, die eine Spitze mit kleinem Radius hat. Spitzen mit kleinem Radius haben gewöhnlich ein geringeres Rückschlagpotenzial. Wenn Sie die Führungsschiene auswechseln, bestellen Sie unbedingt die in dieser Bedienungsanleitung aufgeführte Führungsschiene.

HEBEN SIE DIESE ANLEITUNG AUF!

TECHNISCHE DATEN

Modell	CS1400E	CS1600E	
Spannung	56 V ---	56 V ---	
Länge der Führungsschiene	350 mm	400 mm	
Kettenteilung	9,5 mm	9,5 mm	
Kettengliedlänge	1,1 mm	1,1 mm	
Sägekettentyp	90PX052X (Oregon)	90PX052X (Oregon) 90PX056X (Oregon)	
Führungsschienentyp	144MLEA041 (Oregon)	144MLEA041 (Oregon) 164MLEA041 (Oregon)	
Volumen Kettenöltank	150 ml	150 ml	
Gewicht (ohne Akku und Ketten-Schutzhülle)	3,81 Kg	3,86 Kg	
Gemessener Schallleistungspegel L_{WA}	96,73 dB(A) $K_{WA} = -2,5$ dB(A)	96,4 dB(A) $K_{WA} = -2,5$ dB(A)	
Schalldruckpegel am Ohr des Bedieners L_{PA}	85,73 dB(A) $K_{PA} = -2,5$ dB(A)	85,4 dB(A) $K_{PA} = -2,5$ dB(A)	
Gewährleisteter Schallleistungspegel L_{WA} (nach 2000/14/EG)	100 dB(A)	99 dB(A)	
Vibration a_h	Hinterer Griff	5,373 m/s ² $K = 1,5$ m/s ²	3,222 m/s ² $K = 1,5$ m/s ²
	Vorderer Griff	4,146 m/s ² $K = 1,5$ m/s ²	3,081 m/s ² $K = 1,5$ m/s ²

- Der angegebene Schwingungs-Gesamtwert wurde in Übereinstimmung mit einer Standard-Testmethode gemessen und kann verwendet werden, um Werkzeuge miteinander zu vergleichen.

- Der angegebene Schwingungs-Gesamtwert kann auch als einleitende Feststellung der Belastung verwendet werden

HINWEIS: Die Schwingungsemissionen während des eigentlichen Betriebs des Elektrowerkzeuges können sich von dem angegebenen Wert, in dem das Werkzeug genutzt wird, unterscheiden. Zum Schutz des Benutzers sollten Handschuhe und ein Gehörschutz während des Betriebs getragen werden.

PACKLISTE

TEILNAME	MENGE
Antriebskopf der Kettensäge	1
Sägekette	1
Führungsschiene	1
Kettenschutzhülle	1
Bedienungsanleitung	1

BESCHREIBUNG

AUFBAU (Abb. A)

1. Ein-/Ausschalter
2. Auslöser-Freigabeknopf
3. Akku-Freigabeknopf
4. Öltankverschluss
5. Ölsichtfenster
6. Sägekette
7. Führungsschiene
8. Riegel
9. Ausstoßmechanismus
10. Elektrische Kontakte
11. Kettenbremshebel
12. Kettenspannungsregler
13. Vorderer Griff
14. Hinterer Griff
15. Kettenspannschraube
16. Seitenabdeckung
17. Knauf der Seitenabdeckung
18. Kettenschutzhülle
19. Schmierloch
20. Zahnrad in der Führungsschienenspitze

HINWEIS: Der Kettenbremshebel dient zum Einschalten der Kettenbremse. Er bietet außerdem Schutz vor hervorschnellenden Ästen und verhindert, dass die linke Hand die Sägekette berührt, wenn sie vom vorderen Griff abrutscht.

MONTAGE

⚠️ WARNUNG: Wenn Teile beschädigt sind oder fehlen, darf das Gerät erst in Betrieb genommen werden, wenn alle Teile vollständig angebracht sind. Die Verwendung des Geräts mit beschädigten oder fehlenden Teilen kann zu schweren Verletzungen führen.

⚠️ WARNUNG: Versuchen Sie nicht, dieses Produkt zu verändern oder Zubehörteile zu verwenden, die für den Einsatz der Kettensäge nicht empfohlen werden. Derartige Änderungen oder Umbauten stellen eine Zweckentfremdung dar und können gefährliche Arbeitsbedingungen hervorrufen, bei denen eine schwere Verletzungsgefahr besteht.

⚠️ WARNUNG: Um das unbeabsichtigte Starten, das zu schweren Verletzungen führen könnte, zu verhindern, entfernen Sie immer den Akkusatz aus dem Werkzeug, wenn Sie Teile montieren.

MONTIEREN/AUSWECHSELN DER FÜHRUNGSSCHIENE UND DER KETTE

⚠️ WARNUNG: Tragen Sie stets Handschuhe, wenn Sie die Führungsschiene oder die Kette anfassen; diese Elemente sind scharf und können Grate enthalten.

1. Legen Sie den Antriebskopf der Kettensäge auf die Seite. Die Seitenabdeckung sollte dabei nach oben zeigen (Ab. H).
2. Drehen Sie den Knauf der Seitenabdeckung im Uhrzeigersinn, um die Seitenabdeckung abnehmen zu können. Drehen Sie den Kettenspannungsregler anschließend soweit wie möglich los.
3. Legen Sie die neue Sägekette auf eine ebene Fläche kreisförmig ab und richten Sie etwaige Knicke gerade (Abb. I).
4. Legen Sie die Kettenglieder in die Nut der Führungsschiene ein und verlegen Sie die Kette hinten an der Führungsschiene wieder zurück zur Schienenspitze (Abb. J).
5. Halten Sie die Kette auf der Führungsschiene fest und verlegen Sie sie über das Zahnrad am Antriebskopf zurück.
6. Schieben Sie den Führungsschienenschlitz über die Ausrichtungsflansche, bis der Spannstift in das untere Loch am Ende der Führungsschiene sinkt (Abb. L1).

HINWEIS: In die Sägekette sind kleine Richtungspfeile gestanzt. Ein weiterer Richtungspfeil befindet sich am Gehäuse. Wenn Sie die Sägekette auf das Zahnrad legen, achten Sie darauf, dass die Pfeilrichtung auf der Sägekette mit der Pfeilrichtung am Gehäuse übereinstimmt. Wenn sie in unterschiedliche Richtungen zeigen, drehen Sie die Sägekette und die Führungsschiene um (Abb. L2.)

7. Bringen Sie die Seitenabdeckung wieder an und ziehen Sie den Knauf an der Seitenabdeckung leicht an.
8. Heben Sie die Spitze der Führungsschiene an, um zu prüfen, ob die Kette hängt (Abb. K). Lassen Sie die Spitze der Führungsschiene los und drehen Sie den Kettenspannungsregler einmal im Uhrzeigersinn. Wiederholen Sie diesen Vorgang, bis die Kette an keiner Stelle mehr hängt.

DE

9. Ziehen Sie den Knauf für die Seitenverkleidung fest an, damit die Sägekette vor dem Gebrauch mit der richtigen Spannung fixiert ist.

Teilebeschreibung zu Abb. J & L, siehe unten:

DE

J-1	Kettenantriebsglieder	L-2	Spannstift
J-2	Nut der Führungsschiene	L-3	Führungsschienenschlitz
L-1	Ausrichtungsflansch	L-4	Zahnrad

HINWEIS: Um die Lebensdauer der Führungsschiene zu verlängern, setzen Sie die Schiene gelegentlich andersherum ein.

HINWEIS: Wenn die Kette zu straff gespannt ist, wird sie nicht rotieren. Lösen Sie den Knauf der Seitenabdeckung etwas und drehen Sie den Spannungsregler einmal von rechts nach links. Heben Sie die Spitze der Führungsschiene an und ziehen Sie den Knauf der Seitenabdeckung nach. Stellen Sie sicher, dass die Kette rotiert, ohne stecken zu bleiben.

EINSTELLEN DER KETTENSPIELUNG

- Halten Sie den Motor an und entfernen Sie den Akkusatz, bevor Sie die Kettenspannung einstellen. Stellen Sie sicher, dass der Knauf der Seitenabdeckung gelöst ist. Drehen Sie den Kettenspannungsregler im Uhrzeigersinn, um die Kette zu spannen. Sehen Sie den oben stehenden Abschnitt: „**AUSWECHSELN DER SCHIENE UND KETTE**“ in dieser Bedienungsanleitung, um mehr zu erfahren
- Eine kalte Kette ist korrekt gespannt, wenn kein Spiel an der Unterseite der Führungsschiene vorhanden ist und die Kette anliegt, sich jedoch manuell drehen lässt, ohne stecken zu bleiben. Die Kette muss immer neu gespannt werden, wenn die Abflän den Antriebsgliedern nicht in der Nut der Schiene sitzen.
- Während des normalen Sägebetriebs erhöht sich die Temperatur der Kette. Die Antriebsglieder einer korrekt gespannten warmen Kette hängen etwa 1,3 mm aus der Nut der Schiene (Abb. M).

HINWEIS: Neue Ketten neigen dazu sich zu dehnen. Prüfen Sie deshalb die Kettenspannung regelmäßig und spannen Sie nach Bedarf nach.

HINWEIS: Eine Kette, die im warmen Zustand gespannt wurde, ist im erkalteten Zustand möglicherweise zu straff gespannt. Prüfen Sie vor dem nächsten Gebrauch die Spannung der kalten Kette.

BEDIENUNG

⚠️ WARNUNG: Vermeiden Sie es, dass die Vertrautheit mit dem Produkt zu Nachlässigkeit führt. Denken Sie daran, dass ein kurzer Moment der Unachtsamkeit zu ernsthaften Verletzungen führen kann.

⚠️ WARNUNG: Tragen Sie immer einen Augenschutz mit Seitenschutz. Andernfalls besteht die Gefahr, dass Gegenstände in Ihre Augen geschleudert werden oder andere schwere Verletzungen hervorgerufen werden.

⚠️ WARNUNG: Verwenden Sie keine Aufsätze oder Zubehörteile, die nicht vom Hersteller dieses Produkts empfohlen werden. Die Verwendung von anderen und nicht empfohlenen Aufsätzen oder Zubehörteilen kann zu ernsthaften Verletzungen führen.

⚠️ WARNUNG: Um einen unbeabsichtigten Geräteanlauf bei der Montage von Teilen, bei Einstellarbeiten, beim Reinigen oder bei Nichtgebrauch zu verhindern, muss der Akku vom Gerät abgenommen werden. Andernfalls besteht schwere Verletzungsgefahr.

Überprüfen Sie vor jedem Gebrauch das gesamte Gerät und stellen Sie fest, ob Teile beschädigt sind, sich gelöst haben oder fehlen, z. B. Schrauben, Muttern, Bolzen, Kapfen usw. Ziehen Sie alle Befestigungsmittel und Kapfen gut fest und benutzen Sie dieses Gerät erst, wenn alle fehlenden oder beschädigten Teile ersetzt worden sind.

ANWENDUNG

Sie können dieses Gerät zum einfachen Fällen, Entasten, Beschneiden und Sägen von Holzstämmen und Bäumen benutzen.

HINWEIS: Das Werkzeug darf nur für den dafür vorgesehenen Zweck eingesetzt werden. Jeder andere Geräteeinsatz gilt als Zweckentfremdung.

EINFÜLLEN DES KETTENÖLS

⚠️ WARNUNG: Rauchen Sie nicht und halten Sie Feuer oder Flammen vom Öl und der Kettensäge fern. Öl kann vergossen werden und einen Brand verursachen

HINWEIS: Zum Zeitpunkt des Kaufs ist die Kettensäge nicht mit Öl gefüllt. Der Tank muss vor dem Gebrauch mit Öl gefüllt werden. Wenn Sie die Kettensäge ohne Kettenöl benutzen oder wenn der Ölstand unter der Mindestmarkierung steht, wird die Kettensäge beschädigt. Die Lebensdauer der Kette und die Sägekapazität hängen von der optimalen Schmierung ab. Die Kette wird automatisch mit Kettenöl während des Betriebs geschmiert.

1. Legen Sie die Kettensäge mit dem Öltankverschluss nach oben auf die Seite.

2. Wischen Sie den Verschlussdeckel und den Bereich rundherum ab. Schrauben Sie den Deckel dann gegen den Uhrzeigersinn ab (Abb. N).
3. Gießen Sie das vorgeschriebene Kettenöl bis zum untere Ende des Einfüllstutzens in den Tank.
4. Wischen Sie die Ölrreste ab und bringen Sie den Deckel wieder an.

HINWEIS: In aufrechter Position sollte das Öl das Sichtfenster komplett füllen. Wenn im Sichtfenster kein Öl mehr zu sehen ist, muss das Gerät sofort ausgeschaltet und Öl nachgefüllt werden.

ANBRINGEN/ABNEHMEN DES AKKUS

Laden Sie den Akku vor dem ersten Gebrauch voll auf.

Anbringen (Abb. O)

Lassen Sie die Rippen am Akkugehäuse mit den Öffnungen am Gerät fluchten und schieben Sie den Akku bis zum hörbaren Einrasten in das Gerät.

Abnehmen (Abb. P)

Drücken Sie die Batterieentriegelung und ziehen Sie den Akku heraus.

STARTEN/STOPPEN DER KETTENSÄGE

HINWEIS: Vor dem Einschalten der Kettensäge müssen Sie den Ölstand, die Sägezahnschärfe und die korrekte Funktion des Kettenbremshebels überprüfen. Darüber hinaus sind ein fester Stand und ein sicherer Abstand zum Boden wichtig.

Starten

1. Stellen Sie den Kettenbremshebel in Richtung des vorderen Griffs auf Betriebsstellung (Abb. G).
2. Halten Sie die Säge mit beiden Händen vom vorderen und hinteren Griff gut fest.
3. Drücken Sie zuerst den Auslöser-Freigabeknopf und anschließend den Ein-/Ausschalter zum Starten des Geräts (Abb. Q). Lassen Sie den Auslöser-Freigabeknopf los und halten Sie den Ein-/Ausschalter weiter gedrückt. Die Säge läuft nun weiter.

⚠️ WARNUNG: Versuchen Sie nicht, die Säge zu starten, wenn sich die Sägekette in einem Schnitt befindet.

Anhalten

1. Lassen Sie den Ein-/Ausschalter los.
2. Bewegen Sie den Kettenbremshebel nach vorn in die Bremsstellung, um die Kettenbremse zu aktivieren (Abb. G).

⚠️ WARNUNG: Nehmen Sie bei Arbeitspausen und nach Abschluss der Arbeit stets den Akku aus der Kettensäge.

Fester Halt an den Griffen (Abb. E)

- Tragen Sie rutschfeste Handschuhe, um für maximalen Halt und Schutz zu sorgen.
- Legen Sie die Säge auf eine feste, ebene Fläche und halten Sie die Säge mit beiden Händen gut fest.
- Greifen Sie immer den vorderen Griff mit der linken Hand und den hinteren Griff mit der rechten.
- Die Finger sollten den Griff umfassen, wobei der Daumen den vorderen Griff von unten umfasst.

⚠️ WARNUNG: Ein linkshändiger (überkreuzender) Griff oder eine Haltung, bei der Ihr Körper oder Arm die Kettenlinie überschreitet, sollte unbedingt vermieden werden (Abb. R).

Richtige Stellung (Abb. S)

- Beide Füße sollten auf festem Boden stehen und das Gewicht sollte gleichmäßig auf beide Beine verteilt sein.
- Der linke Arm sollte gerade und der Ellbogen durchgedrückt sein. Mit dieser Haltung können Sie den Kräften besser standhalten, die durch einen Rückschlag oder Rückstoß entstehen.
- Ihr Körper sollte immer zur linken Seite der Kettenlinie sein

ANWEISUNGEN IN BEZUG AUF DIE RICHTIGE VORGEHENSWEISE BEIM FÄLLEN, ENTASTEN UND DURCHTRENNEN

⚠️ WARNUNG: Achten Sie immer auf einen sicheren Stand und halten Sie die Kettensäge mit beiden Händen fest, solange der Motor läuft.

⚠️ WARNUNG: Wenn die Sägekette während des Sägens stoppt, weil sie fest sitzt, lassen Sie den Ein-/Ausschalter los. Ziehen Sie die Sägekette und Führungsschiene aus dem Holz und schalten Sie die Kettensäge erneut ein.

⚠️ WARNUNG: Ziehen Sie die Sägekette nicht mit der Hand, wenn Sie wegen Sägestaub blockiert. Wenn die Kettensäge versehentlich in Betrieb gesetzt wird, kann es zu ernsthaften Verletzungen kommen. Drücken Sie die Sägekette gegen das Holz und bewegen Sie die Kettensäge vor und zurück, um die Sägereste zu beseitigen. Entfernen Sie vor dem Reinigen immer den Akku. Tragen Sie robuste Schutzhandschuhe beim Umgang mit der Sägekette.

⚠️ WARNUNG: Starten Sie die Kettensäge niemals, wenn sie Kontakt mit dem Holz hat. Warten Sie immer zuerst, bis die Kettensäge ihre volle Drehzahl erreicht hat, bevor Sie das Holz ansägen.

Fällen eines Baums

- Wenn zwei oder mehr Personen gleichzeitig ablängen und fällen, sollte zwischen der Fällarbeit und der Ablängarbeit ein Sicherheitsabstand eingehalten werden, der mindestens doppelt so groß ist wie die Höhe des zu fallenden Baumes. Bäume sollten so gefällt werden, dass keine Personen gefährdet werden, öffentliche Stromleitungen getroffen werden oder Sachschäden entstehen können. Wenn ein Baum mit einer öffentlichen Stromleitung in Berührung kommt, muss das Elektrizitätswerk sofort davon in Kenntnis gesetzt werden.
- Der Bediener der Kettensäge sollte sich auf der Bergseite des Geländes aufhalten, da der Baum nach dem Fällen wahrscheinlich bergab rollt oder rutscht.
- Vor Beginn der Sägearbeiten sollte ein Fluchtweg eingeplant und frei gehalten werden. Der Fluchtweg sollte hinter dem Baum schräg zu der erwarteten Fälllinie verlaufen (siehe Abb. T).
- Achten Sie vor dem Fällen auf die natürliche Neigung des Baumes, die Lage größerer Äste und die Windrichtung, um zu beurteilen, in welche Richtung der Baum fallen wird.
- Beseitigen Sie Schmutz, Steine, lose Rinde, Nägel, Heftklammern und Drähte/Seile vom Baum.

Fällkerb-Unterschnitt:

Sägen Sie eine Kerbe von einem Drittel des Stammdurchmessers senkrecht zur Fallrichtung, wie in Abb. U dargestellt. Setzen Sie zuerst die untere waagrechte Kerbe, die das Einklemmen der Sägekette oder der Führungsschiene zu vermeiden, wenn die zweite Kerbe gesägt wird.

Fällschnitt

- Setzen Sie den Fällschnitt mindestens 50 mm oberhalb des waagrechten Fällkerbschnitts an (Abb. U). Führen Sie den Fällschnitt parallel zum waagrechten Fällkerbschnitt. Setzen Sie den Fällschnitt so, dass genug Holz übrig bleibt, über das der Baum wie bei einem Scharnier abknicken kann. Dieses Holzscharnier verhindert, dass sich der Baum dreht und in die falsche Richtung fällt. Nicht durch das Scharnier sägen.
- Wenn der Fällschnitt fast das Scharnier erreicht, sollte der Baum zu fallen beginnen. Wenn eine Möglichkeit besteht, dass der Baum nicht in die gewünschte Richtung fällt oder sich zurückbewegt und die Sägekette einklemmt, beenden Sie den Fällschnitt, bevor er abgeschlossen ist. Verwenden Sie Keile aus Holz, Kunststoff oder Aluminium, um den Schnitt zu öffnen und den Baum entlang der gewünschten Linie zum Fallen zu bringen.
- Wenn der Baum zu fallen beginnt, entfernen Sie die Kettensäge aus dem Schnitt, stellen Sie den Motor ab, legen die Kettensäge ab und verlassen Sie den Bereich über den geplanten Fluchtweg. Achten Sie auf herunterfallende Äste und auf Ihren Halt.

Teilebeschreibung zu Abb. T & U, siehe unten:

T-1	Fällrichtung	U-2	Kerbe
T-2	Sicherer Fluchtweg	U-3	Fällschnitt
U-1	Fällrichtung	U-4	Scharnier

Entasten eines Baums

Entasten bedeutet das Entfernen der Äste vom gefällten Baum. Beim Entasten werden die größeren Äste unter dem Baum gelassen, damit der Stamm über dem Boden abgestützt bleibt. Entfernen Sie die kleinen Äste in einem Schnitt, wie in Abb. V dargestellt. Unter Spannung stehende Äste sollten von unten geschnitten werden, um das Einklemmen der Kettensäge zu vermeiden.

Ablängen eines Stamms

- Ablängen bedeutet das Durchtrennen eines Stamms in mehrere Teile. Es ist wichtig, dass Sie einen sicheren Stand und die gleichmäßige Verteilung des Gewichts auf beide Füße sicherstellen. Wenn möglich, sollte der Stamm angehoben und mithilfe von Ästen, Stämmen oder Unterlegkeilen gestützt werden. Um die Sägearbeit zu erleichtern, sollte Sie diese einfachen Anweisungen befolgen.
- Wenn der Stamm über seine gesamte Länge gestützt wird (siehe Abb. W1), wird er von der Oberseite her angesägt (Ablängen von oben).
- Wenn der Stamm an einem Ende gestützt wird (siehe Abb. W2), sägen Sie ein Drittel des Durchmessers an der Unterseite (Ablängen von unten). Führen Sie dann den endgültigen Schnitt durch, indem Sie den Stamm von oben ablängen, bis der erste Schnitt erreicht wird.
- Wenn der Stamm an beiden Enden gestützt wird (siehe Abb. W3), sägen Sie ein Drittel des Durchmessers auf der Oberseite (Ablängen von oben). Führen Sie dann den endgültigen Schnitt durch, indem Sie die unteren 2/3 von unten ablängen, bis der erste Schnitt erreicht ist.
- Stehen Sie bei Ablängarbeiten an einem Hang immer auf der Bergseite des Stammes (Abb. X).
- Um die vollständige Kontrolle beim Durchsägen zu behalten, verringern Sie den Sägedruck kurz vor Beendigung des Schnitts, ohne beim festen Halt an den Kettensägegriffen nachzugeben. Lassen Sie die Kette nicht den Boden berühren. Nach Fertigstellung des Schnitts, warten Sie, bis die Sägekette stillsteht, bevor Sie die Kettensäge bewegen. Stellen Sie stets den Motor ab, bevor Sie sich zum nächsten Baum bewegen.

WARTUNG

⚠️ WARNUNG: Verwenden Sie für die Wartung nur identische Ersatzteile. Die Verwendung anderer Teile kann Unfälle und Schäden am Gerät hervorrufen.

⚠️ WARNUNG: Vor Wartungsarbeiten an der Kettensäge müssen immer Schutzhandschuhe angezogen werden.

⚠️ WARNUNG: Um schwere Verletzungen zu vermeiden, entfernen Sie den Akku aus der Kettensäge, bevor Sie das Gerät untersuchen, säubern oder Wartungsarbeiten vornehmen. Ein akkubetriebenes Werkzeug mit eingeletem Akku ist immer einsatzbereit und kann versehentlich in Betrieb gesetzt werden.

⚠️ WARNUNG: Wenn Sie die Kettensäge reinigen, tauchen Sie diese NICHT in Wasser oder andere Flüssigkeiten.

⚠️ WARNUNG: Achten Sie immer darauf, dass Bremsflüssigkeit, Benzin, Erzeugnisse auf Erdölbasis, durchdringende Öle usw. nicht mit den Kunststoffteilen in Kontakt kommen. Chemikalien können Kunststoffe angreifen, mechanisch schwächen oder zerstören, was zu schweren Verletzungen führen kann.

REINIGUNG

- Entfernen Sie nach jedem Gebrauch mithilfe einer weichen Bürste anhaftenden Schmutz von der Kette und Führungsschiene. Wischen Sie die Oberfläche der Kettensäge mit einem sauberen Tuch ab, das Sie mit einer milden Seifenlösung anfeuchten.
- Nehmen Sie die Seitenabdeckung ab und entfernen Sie dann mit einer weichen Bürste Ablagerungen von der Führungsschiene, Sägekette, Kettenrad und Seitenabdeckung.
- Reinigen Sie die Nut der Führungsschiene immer von Holzschnitzeln, Sägestaub und Schmutz, wenn Sie die Sägekette auswechseln.

AUSWECHSELN DER SCHIENE UND KETTE

⚠️ WARNUNG: Bei laufendem Motor darf die Kette keinesfalls berührt oder justiert werden. Die Sägekette ist sehr scharf.

HINWEIS: Wenn Sie die Führungsschiene und Kette auswechseln, verwenden Sie immer die Schienen- und Kettenkombination, die in dieser Anleitung angegeben ist.

Abmontieren der abgenutzten Schiene und Kette (Abb. Y)

1. Entfernen Sie den Akku, lassen Sie die Säge abkühlen und drehen Sie den Verschluss des Öltanks fest zu.
2. Legen Sie die Kettensäge auf die Seite. Die Seitenabdeckung sollte dabei nach oben zeigen.
3. Ziehen Sie Handschuhe an. Entfernen Sie die Seitenabdeckung, indem Sie den Knauf der Seitenabdeckung gegen den Uhrzeigersinn drehen. Wischen Sie die Seitenabdeckung mit einem trockenen Tuch ab.

HINWEIS: Dies ist ein guter Zeitpunkt, um das Antriebskettenrad auf übermäßigen Verschleiß oder Schäden zu untersuchen.

Montieren der neuen Schiene und Kette

Befolgen Sie die Anweisungen unter **MONTIEREN/ AUSWECHSELN DER SCHIENE UND KETTE** in dieser Bedienungsanleitung.

Stellen Sie die Kettenspannung ein

Befolgen Sie die Anweisungen unter **EINSTELLEN DER KETTENSPIGUNG** in dieser Bedienungsanleitung.

WARTUNG DER KETTE

⚠️ WARNUNG: Tragen Sie stets Handschuhe, wenn Sie die Sägekette anfassen; diese Teile sind scharf und mit Grat versehen.

Verwenden Sie für diese Säge nur rückschlagarme Ketten. Diese schnell trennende Kette sorgt für eine Reduzierung des Rückschlags, wenn sie sachgemäß gewartet wird.

Eine sachgemäß geschärfte Sägekette durchtrennt Holz mühelos, selbst mit sehr wenig Druck.

Benutzen Sie niemals eine stumpfe oder beschädigte Sägekette. Eine stumpfe Sägekette führt zu erhöhter körperlicher Belastung, erhöhter Beanspruchung durch Vibration, zu einem mangelhaften Schnitt und erhöhtem Verschleiß.

Für ein schnelles und reibungsloses Sägen muss die Kette ordnungsgemäß gewartet werden. Die Kette muss geschärft werden, wenn die Holzschnitzel klein und pulverig sind, wenn ein größerer Kraftaufwand beim Sägen des Holzes erforderlich ist oder die Kette zu einer Seite zieht. Berücksichtigen Sie bei der Wartung Ihrer Kette Folgendes:

- Ein falscher Schleifwinkel der Seitenfläche kann das Risiko eines heftigen Rückschlags erhöhen.
- Räumzahnschlacke (Eingriffmesser) Ein zu tiefes Eintauchen erhöht die Rückschlaggefahr. Durch zu flaches Eintauchen nimmt die Sägeleistung ab.
- Falls die Sägezähne auf harte Gegenstände wie Nägel und Steine treffen oder durch Schlamm oder Sand am Holz abgenutzt werden, lassen Sie die Kette von einem qualifizierten Servicetechniker schärfen.

HINWEIS: Untersuchen Sie das Antriebskettenrad auf Verschleiß oder Beschädigung, wenn Sie die Kette auswechseln. Falls Sie Anzeichen von Verschleiß oder Schäden in den genannten Bereichen bemerken, lassen Sie das Antriebskettenrad von einem qualifizierten Servicetechniker auswechseln.

WARTUNG DER FÜHRUNGSSCHIENE

Wenn die Führungsschiene Anzeichen von Verschleiß zeigt, montieren Sie sie umgekehrt auf der Säge, damit sich der Verschleiß der Schiene gleichmäßig auf beide Seiten verteilt. Dadurch verlängert sich die Nutzungsdauer. Die Schiene sollte jeden Tag, an dem das Gerät gebraucht wurde, gereinigt und auf Verschleiß sowie Schäden untersucht werden. Die Bildung von scharfen Kanten oder Graten in den Schienenstegen ist ein normaler Verschleißprozess der Schiene. Diese Fehlstellen sollten mit einer Feile geglättet werden, sobald sie sich bemerkbar machen. Eine Schiene mit einem der folgenden Mängel sollte ausgewechselt werden:

- Verschleiß in den Schienenstegen, wodurch die Kette seitlich liegen kann
- Verbogene Führungsschiene
- Gesprungene oder gebrochene Stege
- Gespreizte Stege

Darüber hinaus ist die Führungsschiene mit einem Zahnrad an der Spitze versehen (Abb. A-20). Das Zahnrad muss wöchentlich mit einer Fettpresse geschmiert werden, um die Nutzungsdauer der Führungsschiene zu verlängern. Schmieren Sie mithilfe einer Fettpresse mit Kettenöl wöchentlich über das Schmierloch (Abb. A-19). Wenden Sie die Führungsschiene und prüfen Sie, ob die Schmierlöcher und Kettennut frei von Verunreinigungen sind.

TRANSPORT UND LAGERUNG

- Eine laufende Kettensäge darf nicht verstaut oder transportiert werden. Entfernen Sie vor dem Lagern oder Transportieren immer den Akku.
- Schieben Sie die Führungsschienen-Schutzhülle über die Führungsschiene und Kette, bevor Sie die Kettensäge einlagern oder transportieren. Nehmen Sie sich vor den scharfen Zähnen der Kette in acht.
- Reinigen Sie die Kettensäge gründlich, bevor Sie sie lagern. Lagern Sie die Kettensäge im Haus an einem trockenen Ort, der abgeschlossen und/oder für Kinder nicht erreichbar ist.
- Halten Sie sie von zersetzenden Mitteln wie Gartenchemikalien oder Streusalz fern.

Schutz der Umwelt



Entsorgen Sie elektronische Geräte, Ladegeräte und Batterien/Akkus nicht im Hausmüll!

Gemäß der europäischen Rechtsnorm 2012/19/EC müssen elektrische und elektronische Geräte, die nicht mehr benutzt werden, separat gesammelt werden. Dasselbe trifft gemäß der europäischen Rechtsnorm 2006/66/EC auch auf defekte oder verbrauchte Batterien/Akkus zu.

Wenn elektrische Geräte auf Deponien oder Schutthalde entsorgt werden, dann können gefährliche Substanzen ins Grundwasser sickern und in die Nahrungskette übergehen, was Ihre Gesundheit und Ihr Wohlbefinden beeinträchtigen kann.

EG-KONFORMITÄTSERKLÄRUNG



Wir, CHERVON EUROPE LTD.

47 CASTLE STREET, READING, RG1 7SR, UNITED KINGDOM

Erklären hiermit, dass der Artikel **56V lithium-ionen kabellose kettensäge CS1400E/CS1600E**, mit den grundlegenden Sicherheits- und Gesundheitsanforderungen folgender Richtlinien übereinstimmt:

2006/42/EG, 2004/108/EG, 2011/65/EG, 2000/14/EG

Hinweise auf Normen und technische Spezifikationen:

EN 60745-1, EN 60745-2-13, EN 55014-1, EN 55014-2

	CS1400E	CS1600E
Gemessener Schallleistungspegel:	96,73 dB(A)	96,4 dB(A)
Gewährleisteter Schalleistungsspiegel:	100 dB(A)	99 dB(A)

Peter Melrose
Vizepräsident Chervon Europe

Dong Jianxun
Qualitätsmanager Chervon

* (Verantwortlicher Vertreter von CHERVON und technischer Dokumentationsverantwortlicher)

01/01/2016

Name, Anschrift und Identifikationsnummer der zu benachrichtigenden Stelle:

TüV Rheinland LGA Products GmbH; Tillystra 2 D - 90431 Nürnberg, Germany; 0197.

Nummer des EG-Prüfzertifikats:

BM 50326004 0001 (CS1600E)

BM 50296271 0001 (CS1400E)

STÖRUNGSBESEITIGUNG

⚠️ WARNUNG: Schützen Sie immer Ihre Hände, indem Sie robuste Handschuhe tragen, wenn Sie Wartungsarbeiten an der Sägekette durchführen. Entfernen Sie immer den Akku, wenn Sie die Kettensäge warten oder transportieren.

PROBLEM	URSACHE	LÖSUNG
Motor läuft nicht	<ul style="list-style-type: none"> ■ Der Akku ist nicht an der Kettensäge angeschlossen. ■ Es besteht kein elektrischer Kontakt zwischen Säge und Akku. ■ Der Akku ist leer. ■ Der Akku oder die Kettensäge ist zu heiß. ■ Der Auslöser-Freigabeknopf wurde vor dem Betätigen des Ein-/Ausschalters nicht heruntergedrückt. ■ Kettenbremse ist aktiviert. ■ Sägekette ist im Holz eingeklemmt. ■ Sägereste in der Schienennut ■ Sägereste in der Seitenabdeckung 	<ul style="list-style-type: none"> ■ Akku an die Kettensäge anschließen ■ Akku herausnehmen, Kontakte überprüfen und wieder einsetzen. ■ Akku aufladen ■ Akku bzw. Kettensäge unter 67°C abkühlen lassen. ■ Halten Sie den Auslöser-Freigabeknopf gedrückt und drücken Sie dann den Ein-/Ausschalter, um die Kettensäge einzuschalten. ■ Ziehen Sie den Kettenbremshebel nach hinten zum vorderen Griff. ■ Lassen Sie den Ein-/Ausschalter los; entfernen Sie die Sägekette und Führungsschiene aus dem Holz, starten Sie dann die Kettensäge erneut. ■ Drücken Sie die Sägekette gegen das Holz und bewegen Sie die Kettensäge vor und zurück, um die Sägereste zu beseitigen. ■ Entfernen Sie den Akku, nehmen Sie dann die Seitenabdeckung ab und entfernen Sie die Sägereste.
Motor läuft, aber die Kette dreht sich nicht	<ul style="list-style-type: none"> ■ Kette läuft nicht über das Antriebsrad 	<ul style="list-style-type: none"> ■ Montieren Sie die Kette erneut. Achten Sie dabei darauf, dass die Antriebsglieder der Kette vollständig auf dem Kettenrad sitzen.
Kettenbremse rückt nicht ein	<ul style="list-style-type: none"> ■ Rückstände verhindern die vollständige Bewegung des Kettenbremshebels. ■ Mögliche Fehlfunktion der Kettenbremse 	<ul style="list-style-type: none"> ■ Entfernen Sie die Schmutzrückstände vom äußeren Mechanismus der Kettenbremse. ■ Wenden Sie sich an den EGO-Kundendienst.

DE

PROBLEM	URSACHE	LÖSUNG
Kettensäge sägt nicht richtig	<ul style="list-style-type: none"> ■ Ungenügende Kettenspannung ■ Stumpfe Kette ■ Kette verkehrt herum installiert ■ Abgenutzte Kette ■ Trockene oder übermäßig gedehnte Kette ■ Kette nicht in der Nut der Führungsschiene. 	<ul style="list-style-type: none"> ■ Stellen Sie die Kettenspannung gemäß Abschnitt „EINSTELLEN DER KETTENSpannung“ ein. ■ Schärfen Sie die Kettensägezähne gemäß Abschnitt „SCHÄRFEN DER SÄGEZÄHNE“. ■ Installieren Sie die Sägekette neu gemäß Abschnitt „AUSWECHSELN DER SCHIENE UND KETTE“. ■ Wechseln Sie die Kette aus gemäß Abschnitt „AUSWECHSELN DER SCHIENE UND KETTE“. ■ Überprüfen Sie den Ölstand. Füllen Sie gegebenenfalls Öl nach. ■ Installieren Sie die Sägekette neu gemäß Abschnitt „AUSWECHSELN DER SCHIENE UND KETTE“.
Schiene und Kette laufen heiß und setzen Rauch frei	<ul style="list-style-type: none"> ■ Auf zu straffe Kettenspannung prüfen. ■ Kettenöltank ist leer. ■ Schmutzreste in der Nut der Führungsschiene 	<ul style="list-style-type: none"> ■ Spannen Sie die Sägekette nach. Siehe Abschnitt „EINSTELLEN DER KETTENSpannung“. ■ Füllen Sie Schienen- und Kettenschmiermittel nach. ■ Entfernen Sie Schmutzreste aus der Nut.

GARANTIE

EGO GEWÄHRLEISTUNGSRICHTLINIE

Bitte besuchen Sie unsere website egopowerplus.com mit den kompletten EGO Garantiebedingungen

LISEZ TOUTES LES INSTRUCTIONS!



LISEZ ET COMPRENEZ LES INSTRUCTIONS DU MANUEL D'UTILISATION

⚠ Risques résiduels ! Les personnes portant des appareils électroniques, par exemple des stimulateurs cardiaques, doivent consulter leur(s) médecin(s) avant d'utiliser ce produit. L'utilisation d'un équipement électrique près d'un stimulateur cardiaque peut provoquer des interférences ou la panne du stimulateur cardiaque.

⚠ AVERTISSEMENT : Pour garantir la sécurité et la fiabilité, toutes les réparations et tous les changements de pièce doivent être effectués par un réparateur qualifié.

SYMBOLES DE SÉCURITÉ

L'objectif des symboles de sécurité est d'attirer votre attention sur des dangers potentiels. Les symboles de sécurité et les explications les accompagnant doivent être lus avec attention et compris. Les symboles de mise en garde ne permettent pas par eux-mêmes d'éliminer les dangers. Les consignes et mises en garde ne se substituent pas à des mesures de prévention appropriées des accidents.

⚠ AVERTISSEMENT : Avant d'utiliser cet outil, veuillez à lire et à comprendre toutes les consignes de sécurité du guide d'utilisation, notamment tous les symboles d'alerte de sécurité comme « **DANGER** », « **AVERTISSEMENT** » et « **MISE EN GARDE** ». Ne pas respecter toutes les consignes listées ci-après peut provoquer un choc électrique, un incendie et/ou des blessures corporelles graves

SIGNIFICATION DES SYMBOLES

SYMBOLE DE MISE EN GARDE DE SÉCURITÉ : Indique un **DANGER**, un **AVERTISSEMENT** ou une **PRÉCAUTION**. Peut être utilisé en conjonction d'autres symboles ou pictogrammes.

⚠ AVERTISSEMENT : L'utilisation d'un outil électrique peut provoquer la projection d'objets étrangers dans vos yeux, ce qui peut provoquer des lésions oculaires graves. Avant de mettre un outil électrique en marche, portez toujours un masque de sécurité ou des lunettes de sécurité avec boucliers latéraux, ou un masque facial intégral quand cela est nécessaire. Nous vous recommandons de porter un Masque de Sécurité à Vision Panoramique par-dessus des lunettes de vue ou des lunettes de sécurité standards avec boucliers latéraux.

CONSIGNES DE SÉCURITÉ

Cette page décrit des symboles de sécurité pouvant être présents sur ce produit. Lisez, comprenez et respectez toutes les instructions présentes sur le produit avant d'essayer de l'assembler et de l'utiliser.

	Alerte de sécurité	Indique un danger potentiel de blessure corporelle.
	Lire le manuel d'utilisation	Afin de réduire les risques de blessures, l'utilisateur doit lire le manuel d'utilisation.
	Porter une protection oculaire	Toujours porter un masque de sécurité ou des lunettes de sécurité avec boucliers latéraux et un masque facial intégral lors de l'utilisation de ce produit.
	Porter une protection auditive	Toujours porter une protection auditive pendant l'utilisation de ce produit.
	Porter une protection de la tête	Porter un casque de sécurité homologué pour protéger sa tête
	Porter des gants protecteurs	Protégez ses mains avec des gants pendant la manipulation de la tronçonneuse et de la chaîne. Les gants antidérapants pour travaux lourds améliorent votre préhension et protègent vos mains.
	Guide-chaîne	Informations sur le guide-chaîne
	Prendre garde aux rebonds	Tout contact du nez du guide-chaîne avec un objet doit être évité.
	Rebond de nez de guide-chaîne	Le contact du nez du guide-chaîne peut provoquer un mouvement brusque vers le haut et en arrière du guide, ce qui peut provoquer des blessures graves.
	Tenir à deux mains	Toujours utiliser la tronçonneuse à deux mains.
	Ne pas exposer à la pluie	Ne pas utiliser sous la pluie et ne pas laisser dehors quand il pleut.

FR

	CE	Ce produit est conforme aux directive CE applicables.
	Bruit	Niveau de puissance sonore garanti. Émissions sonores dans l'environnement conformément à la directive de la communauté européenne.
	WEEE	Les produits électriques usés ne doivent pas être jetés avec les déchets ménagers. Rappez-les à un centre de recyclage autorisé.
V	Volt	Tension
A	Ampères	Courant
Hz	Hertz	Fréquence (cycles par seconde)
W	Watt	Puissance
min	Minutes	Durée
	Courant alternatif	Type de courant
	Courant continu	Type ou caractéristique du courant
n_0	Régime à vide	Vitesse de rotation sans charge
.../min	Par minute	Tours par minute

CONSIGNES DE SÉCURITÉ GÉNÉRALES POUR LES OUTILS ÉLECTRIQUES

⚠ AVERTISSEMENT : Lisez toutes les mises en garde, consignes de sécurité et instructions. Ne pas respecter les consignes de sécurité et les instructions peut provoquer un choc électrique, un incendie et/ou des blessures graves.

Conservez tous les avertissements et toutes les instructions afin de pouvoir les consulter ultérieurement.

Le terme « outil électrique » utilisé dans les consignes de sécurité désigne votre outil électrique fonctionnant sur le secteur (filaire) ou sur batterie (sans fil).

SÉCURITÉ DE L'AIRE DE TRAVAIL

- **Maintenez l'aire de travail propre et bien rangée.** Les aires de travail en désordre ou mal éclairées augmentent les risques d'accident.
- **Ne faites pas fonctionner d'outil électrique dans un environnement explosif, par exemple en présence de poussière, d'essence ou de liquides inflammables.** Les outils électriques génèrent des étincelles pouvant enflammer poussières et vapeurs
- **Veillez à ce que les enfants et les autres personnes restent éloignés quand vous utilisez un outil électrique.** Un moment d'inattention peut vous faire perdre le contrôle de l'outil.

SÉCURITÉ ÉLECTRIQUE

- **La fiche de l'outil électrique doit correspondre à la prise électrique. Ne modifiez jamais la fiche de quelque manière que ce soit. N'utilisez jamais d'adaptateur de prise avec les outils électriques pourvus d'une mise à la terre ou à la masse.** Les fiches non modifiées et les prises électriques appropriées réduisent le risque de choc électrique.
- **Évitez tout contact physique avec des surfaces mises à la terre ou mises à la masse, telles que tuyaux, radiateurs, fours et réfrigérateurs.** Il y a un risque accru de choc électrique si votre corps est relié à la terre ou à la masse, directement ou indirectement.
- **N'exposez pas les outils électriques à la pluie ou à un environnement mouillé.** Si de l'eau pénètre dans un outil électrique, cela accroît le risque de choc électrique.
- **Ne maltraitez pas le cordon d'alimentation. Ne l'utilisez jamais pour porter, tirer ou débrancher l'outil électrique. Veillez à ce qu'il n'entre jamais en contact avec de l'huile, des pièces mobiles, des arêtes tranchantes, et ne soit jamais exposé à de la chaleur.** Les cordons d'alimentation endommagés ou emmêlés augmentent le risque de choc électrique.
- **Quand vous utilisez un outil électrique en extérieur, utilisez une rallonge électrique adaptée à un usage en extérieur.** L'utilisation d'une rallonge conçue pour un usage en extérieur permet de réduire le risque de choc électrique.
- **S'il est impossible d'éviter d'utiliser un outil électrique dans un endroit humide, utilisez une alimentation protégée par un disjoncteur de fuite à la terre (DDFT).** L'utilisation d'un DDFT réduit le risque de choc électrique.

SÉCURITÉ DES PERSONNES

- **Restez vigilant, soyez attentif à ce que vous faites et faites preuve de bon sens lors de l'utilisation d'un outil électrique. N'utilisez pas un outil électrique quand vous êtes fatigué, sous l'emprise de l'alcool, de stupéfiants ou de médicaments.** Un moment d'inattention pendant l'utilisation d'un outil électrique peut provoquer des blessures corporelles graves.
- **Utilisez des équipements de protection individuelle. Portez toujours une protection oculaire.** L'utilisation d'équipements de protection appropriés aux conditions de travail, tels que masque antipoussières, chaussures de sécurité antidérapantes, casque et protections auditives, permet de réduire les risques de blessures corporelles.
- **Évitez les démarrages accidentels. Vérifiez que l'interrupteur marche/arrêt est dans la position arrêt avant de brancher l'outil dans une prise électrique et/ou une batterie, de le saisir ou de le transporter.** Transporter un outil électrique les doigts sur son interrupteur marche/arrêt ou le brancher dans une alimentation électrique alors que son interrupteur marche/arrêt est dans la position marche favorise les accidents.
- **Retirez les clés de réglage et de serrage avant de mettre l'outil en marche.** Une clé de réglage ou de serrage laissée sur une pièce rotative de l'outil électrique peut provoquer des blessures corporelles.
- **N'essayez pas d'atteindre des endroits difficiles à atteindre. Ayez toujours des appuis des pieds solides et conservez constamment un bon équilibre.** Cela vous garantit un meilleur contrôle de l'outil électrique en cas de situations inattendues.
- **Portez une tenue appropriée. Ne portez pas de vêtement ample ni de bijou. Maintenez vos cheveux, vêtements et gants éloignés des pièces mobiles.** Les vêtements amples, les bijoux et les cheveux longs peuvent se prendre dans les pièces mobiles.
- **Si un outil est conçu pour être utilisé avec des dispositifs d'extraction et de récupération des poussières, veillez à ce que ces dispositifs soient raccordés et correctement utilisés.** L'utilisation de dispositifs de récupération des poussières permet de réduire les dangers liés aux poussières.

UTILISATION ET ENTRETIEN DES OUTILS ÉLECTRIQUES

- **Ne forcez pas l'outil électrique. Utilisez l'outil électrique adapté au travail à effectuer.** L'utilisation d'un outil approprié au travail à effectuer permet d'effectuer ce travail plus efficacement, avec une sécurité accrue et au rythme pour lequel l'outil a été conçu.

- **N'utilisez pas un outil électrique si son interrupteur marche/arrêt ne permet plus de l'allumer ou de l'éteindre.** Tout outil électrique qui ne peut pas être contrôlé par son interrupteur marche/arrêt est dangereux et doit être réparé.
- **Débranchez la fiche électrique de la prise secteur et/ou retirez la batterie de l'outil électrique avant de procéder à des réglages, de changer des accessoires ou de ranger l'outil électrique.** Cette mesure de sécurité préventive réduit le risque de démarrage accidentel de l'outil électrique.
- **Rangez les outils électriques non utilisés hors de portée des enfants. Ne laissez aucune personne non familiarisée avec l'outil électrique ou ce manuel d'utilisation l'utiliser.** Les outils électriques sont dangereux dans les mains de personnes inexpérimentées.
- **Entretenez les outils électriques. Inspectez-les pour vérifier qu'aucune pièce mobile n'est grippée ou mal alignée, qu'aucune pièce n'est cassée, et pour tout autre problème qui pourrait affecter leur fonctionnement. Si un outil électrique est endommagé, il doit être réparé avant d'être utilisé.** Beaucoup d'accidents sont dus à des outils électriques mal entretenus.
- **Veillez à ce que les accessoires de coupe restent affûtés et propres.** Des accessoires de coupes bien entretenus et bien affûtés risquent moins de se coincer et facilitent le contrôle de l'outil.
- **Utilisez l'outil électrique, ses accessoires, mèches/embouts et toutes les autres pièces conformément aux présentes instructions, en prenant en compte les conditions d'utilisation et le travail à effectuer.** Utiliser l'outil électrique à d'autres finalités que celles pour lesquelles il a été conçu peut engendrer des situations dangereuses.

FR

UTILISATION ET ENTRETIEN DES OUTILS ALIMENTÉS PAR BATTERIE

- **La batterie ne doit être rechargée qu'avec le chargeur spécifié par le fabricant.** Un chargeur adapté à un type de batterie peut présenter un risque d'incendie s'il est utilisé avec une batterie différente.
- **Utilisez les outils électriques exclusivement avec les batteries spécifiées.** L'utilisation de toute autre batterie peut créer un risque de blessures et d'incendie.
- **Quand la batterie n'est pas utilisée, elle doit être rangée loin de tout objet métallique, tel que trombone, pièce de monnaie, clef, clou, vis et tout autre petit objet métallique qui risquerait de mettre en contact ses bornes.** Court-circuiter les bornes de la batterie peut provoquer des brûlures et un incendie.

ENTRETIEN

- **Si la batterie est soumise à des conditions d'utilisation excessives, du liquide peut s'en échapper. Évitez tout contact avec ce liquide. En cas de contact accidentel, rincez à grande eau. En cas de contact avec les yeux, vous devez en outre consulter un médecin.** Le liquide qui s'échappe de la batterie peut provoquer des irritations et des brûlures.

- **Faites réparer votre outil électrique par un réparateur qualifié qui ne doit utiliser que des pièces de rechange identiques.** Cela permet de préserver la sécurité d'utilisation de l'outil.

CONSIGNES DE SÉCURITÉ POUR LA TRONÇONNEUSE

- **Veillez à ce qu'aucune partie du corps ne s'approche de la chaîne quand la tronçonneuse est en marche. Avant de démarrer la tronçonneuse, vérifiez que la chaîne n'est en contact avec aucun objet.** Un moment d'inattention pendant l'utilisation de la tronçonneuse suffit pour que vos vêtements se prennent dans la chaîne ou que votre corps entre en contact avec celle-ci.
- **Tenez toujours la tronçonneuse avec la main droite sur la poignée arrière et la main gauche sur la poignée avant.** Ne tenez jamais la tronçonneuse en inversant la position des mains, car cela augmente les risques de blessures corporelles.
- **Tenez l'outil électrique exclusivement par ses surfaces de préhension isolantes, car la chaîne peut entrer en contact avec des câbles électriques non visibles.** Si la chaîne entre en contact avec un câble électrique sous tension, les parties métalliques de l'outil électrique peuvent se retrouver sous tension et l'opérateur risque de subir un choc électrique.
- **Portez des lunettes de sécurité et des protections auditives. Il est recommandé de porter des équipements de protection supplémentaires pour protéger la tête, les mains, les jambes et les pieds.** Des vêtements protecteurs appropriés permettent de réduire les blessures corporelles dues à des débris projetés en l'air ou à un contact accidentel avec la chaîne.
- **N'utilisez pas la tronçonneuse en étant dans un arbre.** Utiliser la tronçonneuse en étant dans un arbre peut provoquer des blessures corporelles.
- **L'utilisateur de l'outil doit toujours être debout sur une surface plane, fixe et stable, et doit toujours garder l'équilibre.** Si vous vous tenez sur une surface instable ou glissante, par exemple une échelle, vous risquez de perdre l'équilibre ou le contrôle de la tronçonneuse.
- **Quand vous coupez une branche sous tension, prenez garde à l'effet ressort.** Quand la tension des fibres du bois est relâchée, la branche risque, à cause de l'effet ressort, de frapper l'opérateur et/ou de projeter la tronçonneuse, lui en faisant perdre le contrôle.
- **Faites extrêmement attention quand vous coupez des broussailles et de jeunes arbres.** Le matériau fin peut être happé par la chaîne de la tronçonneuse et se rabattre violemment dans votre direction ou vous faire perdre l'équilibre.
- **Portez la tronçonneuse par sa poignée avec la tronçonneuse éteinte et éloignée de votre corps. Lors du transport et du stockage de la tronçonneuse, remettez toujours le protège-guide.** Manipuler correctement la tronçonneuse permet de réduire la probabilité de contact accidentel avec la chaîne en mouvement.
- **Respectez les instructions du manuel d'utilisation concernant la lubrification, le réglage de la tension de la chaîne et le changement des accessoires.** Si la chaîne est mal lubrifiée ou incorrectement tendue, elle peut se casser ou accroître le risque de rebond.
- **Veillez à ce que les poignées restent propres, sèches et exemptes d'huile et de graisse.** Les poignées huileuses ou grasses sont glissantes et peuvent vous faire perdre le contrôle de l'outil.
- **Coupez uniquement du bois. N'utilisez pas la tronçonneuse à des finalités pour lesquelles elle n'a pas été conçue. Par exemple : N'utilisez pas la tronçonneuse pour couper du plastique, de la maçonnerie ou des matériaux de construction autres que du bois.** Il est potentiellement dangereux d'utiliser la tronçonneuse à une finalité autre que celle pour laquelle elle a été conçue.

LES CAUSES ET LA PRÉVENTION DES REBONDS (Images B, C, D et E)

Des rebonds peuvent avoir lieu lorsque le bout du guide-chaîne touche un objet ou que le bois se referme et coince la chaîne de la scie dans la coupe.

Dans certains cas, un contact avec le bout du guide-chaîne peut causer une réaction inverse soudaine qui fait rebondir le guide-chaîne et l'envoi vers l'utilisateur (Image B).

Si la chaîne est pincée contre le bord supérieur du guide-chaîne, le guide-chaîne peut être projeté brutalement en arrière vers l'opérateur (Image C).

Images B et C Description ci-dessous :

B-1	Rebond en rotation
C-1	Rebond linéaire

L'une ou l'autre de ces réactions peut causer une perte de contrôle de la tronçonneuse et occasionner des blessures graves. Ne comptez pas exclusivement sur les dispositifs de sécurité de la scie.

En tant qu'utilisateur d'une tronçonneuse, vous devez prendre plusieurs mesures pour que vos travaux de coupe ne provoquent pas d'accidents ni de blessures.

Les rebonds sont dus à des utilisations impropres de l'outil et/ou des procédures d'utilisation incorrectes et/ou des conditions d'utilisation inadéquates. Il est possible de les éviter en prenant les précautions appropriées suivantes :

- **Ayez une prise ferme, tenez la tronçonneuse à deux mains en encerclant ses poignées avec vos pouces et vos doigts et positionnez votre corps de façon à résister à la pression des rebonds (Image E).** Il est possible de contrôler la force des rebonds en prenant les précautions appropriées. Ne lâchez pas la tronçonneuse.
- **Ne tendez pas vos bras trop loin, et n'effectuez pas de coupe au-dessus de la hauteur de vos épaules.** Ces mesures permettent d'empêcher tout contact involontaire avec le bout de l'outil et de mieux contrôler la scie quand surviennent des situations inattendues.
- **Utilisez exclusivement les guides et les chaînes de rechange spécifiés par le fabricant.** Des chaînes et des guides de rechange inappropriés peuvent provoquer un rebond et/ou la casse de la chaîne.
- **Suivez les instructions du fabricant pour l'affûtage et l'entretien de la chaîne de la scie.** Réduire la hauteur du guide de profondeur peut augmenter les risques de rebond.
- **Assurez-vous que la zone dans laquelle vous faites la coupe est dépourvue d'obstacles.** Assurez-vous que le bout du guide-chaîne ne rencontre ni grume, ni branche, ni clôture ni tout autre obstacle pendant que vous manipulez la tronçonneuse.
- **L'outil doit toujours tourner à pleine vitesse lors des coupes.** Enfoncez complètement la gâchette et conservez la vitesse de coupe.
- **Une compréhension élémentaire des rebonds vous permettra de réduire ou d'éliminer l'élément de surprise.** La surprise contribue aux accidents.
- **Ayez toujours des appuis des pieds stables et conservez constamment un bon équilibre.**
- **Poussée et traction** – la force d'un rebond va toujours dans la direction opposée à celle de la chaîne à l'endroit où le contact avec le bois a lieu. Cela veut dire que vous devez être prêt à contrôler la TRACTION lorsque vous coupez avec la partie basse du guide-chaîne et que vous devez résister à la POUSSÉE lorsque vous coupez avec la partie haute du guide-chaîne. Voir la (Image F).

DISPOSITIFS DE SÉCURITÉ CONTRE LES REBONDS DE CETTE TRONÇONNEUSE

Frein de chaîne

La scie comprend un frein de chaîne qui arrête le moteur et le mouvement de la chaîne quand se produit un rebond. Le frein de chaîne peut être activé par le mouvement vers l'avant de la poignée de frein à rebond de la chaîne, mouvement occasionné par la rotation inverse de la scie au moment du rebond; le frein de chaîne peut également être activé par les forces d'inertie générées par le mouvement de recul rapide.

FR

AVERTISSEMENT : Ne tentez jamais de modifier le frein de chaîne ni de le mettre hors d'état de fonctionner.

Avant d'utiliser la tronçonneuse, assurez-vous que le frein de chaîne fonctionne correctement. La poignée du frein à rebond de la chaîne devrait se déplacer sans difficulté

Pour vérifier si le frein de la chaîne fonctionne, effectuez les étapes suivantes (Image G) :

- Déposez la tronçonneuse sur une surface plane et dégagée, et assurez-vous qu'aucun objet ou obstacle à proximité ne peut toucher le guide-chaîne ou la chaîne
- Desserrez le frein de chaîne en tirant la poignée du frein à rebond de la chaîne vers la poignée avant
- Faites démarrer la tronçonneuse.
- Poussez la poignée du frein à rebond de la chaîne vers l'avant de la scie. Le frein spécialement prévu arrêtera immédiatement le mouvement de la chaîne. Si le frein de chaîne ne fonctionne pas correctement, n'utilisez pas la scie avant de l'avoir fait réparer par un technicien qualifié.

Image G Description du fonctionnement, voir ci-dessous :

G-1	Poignée de frein de rebond de chaîne dans la position d'utilisation
G-2	Poignée de frein de rebond de chaîne dans la position de freinage

AVERTISSEMENT : Contrôlez le bon fonctionnement du frein de chaîne avant chaque utilisation.

AVERTISSEMENT : Les copeaux de bois peuvent entraver le frein de chaîne et nuire à son fonctionnement. Maintenez toujours la propreté de l'appareil.

Chaîne à faible rebond

Les guides (ou limiteurs) de profondeur situés devant chaque gouge peuvent réduire au minimum la force d'un rebond en empêchant les gorges de creuser trop profondément à l'endroit où survient ce rebond. N'utilisez qu'une chaîne de rechange équivalente à la chaîne d'origine ou homologuée.

ATTENTION : Au fur et à mesure qu'elles sont affûtées tout au long de leur vie, les chaînes de scie perdent une partie de leurs propriétés anti-rebond et doivent être utilisées avec davantage de précautions.

AVERTISSEMENTS SUPPLÉMENTAIRES

FR

- **Une tronçonneuse doit être utilisée à deux mains.**
Ne manipuler la scie qu'avec une seule main pourrait occasionner des blessures graves à l'utilisateur et aux personnes se trouvant à proximité.
- **Évitez tout contact involontaire avec la chaîne de la scie immobile ou avec les rainures du guide-chaîne.** Ils peuvent être très coupants. Portez toujours des gants et des pantalons ou des jambières de protection pour manipuler la tronçonneuse, la chaîne de la scie ou le guide-chaîne.
- **N'utilisez jamais une tronçonneuse endommagée, mal ajustée ou qui n'est pas assemblée complètement et en toute sécurité.** Assurez-vous que la chaîne de la scie s'immobilise quand vous relâchez la gâchette.
- **Inspectez la pièce à travailler avant la coupe pour repérer tout clou, câble ou autre corps étranger.**
- **Immobilisez la pièce à travailler avant de la tronçonner. Avant d'abattre ou d'élaguer un arbre, repérez et immobilisez les branches dangereuses.**
- **Une coupe mal exécutée, effectuée avec brusquerie, ou un usage inapproprié de la tronçonneuse pourraient user prématurément le guide-chaîne, la chaîne ou le pignon d'entraînement et occasionner le bris de ces éléments ce qui pourrait donner lieu à des rebonds, le déraillement de la chaîne ou l'éjection de matériaux.**
- **N'utilisez jamais le guide-chaîne comme un levier.** Un guide-chaîne plié peut entraîner l'usure prématurée de ce guide, de la chaîne et du pignon d'entraînement, ou encore le bris de la chaîne et du guide-chaîne, ce qui pourrait donner lieu à des rebonds, au déraillement de la chaîne et à l'éjection de matériaux.
- **Ne coupez qu'une pièce à travailler à la fois.**
- **Utilisez exclusivement les batteries et les chargeurs listés ci-dessous.**

BATTERIE	CHARGEUR
BA1120E, BA2240E, BA2800, BA3360, BA4200	CH5500E, CH2100E

- **Ne rechargez pas la batterie sous la pluie ni dans les endroits mouillés.**

- **Planifiez vos travaux : assurez-vous d'avoir une aire de travail dépourvue d'obstacles et, si vous abattez un arbre, prévoyez au moins une voie de retraite pour lui échapper.**
- **Lorsque vous abattez un arbre, maintenez toute personne à une distance d'au moins deux arbres.**
- **S'il se produit une situation qui ne figure pas dans le présent manuel, faites preuve de prudence et de jugement. Contactez le centre de service EGO pour obtenir de l'aide.**

GUIDE-CHAÎNE

La présente scie est équipée d'un guide-chaîne avec un bout de faible rayon. Les bouts de faible rayon ont moins tendance à rebondir. Lors du remplacement du guide-chaîne, assurez-vous de vous procurer le guide-chaîne indiqué dans le présent manuel.

CONSERVEZ CE MANUEL D'UTILISATION !

SPÉCIFICATIONS

Modèle	CS1400E	CS1600E
Tension	56 V ---	56 V ---
Longueur du guide-chaîne	350 mm	400 mm
Pas de chaîne	9,5 mm	9,5 mm
Limiteur de profondeur	1,1 mm	1,1 mm
Type de chaîne	90PX052X (Oregon)	90PX052X (Oregon) 90PX056X (Oregon)
Type de guide-chaîne	144MLEA041 (Oregon)	144MLEA041 (Oregon) 164MLEA041 (Oregon)
Capacité du réservoir d'huile de chaîne	150 ml	150 ml
Poids (sans la batterie et sans le protège-guide)	3,81 Kg	3,86 Kg
Niveau de puissance acoustique mesuré, L_{WA}	96,73 dB(A) $K_{WA}=2,5$ dB(A)	96,4 dB(A) $K_{WA}=2,5$ dB(A)
Niveau de pression acoustique au niveau des oreilles de l'opérateur L_{PA}	85,73 dB(A) $K_{PA}=2,5$ dB(A)	85,4 dB(A) $K_{PA}=2,5$ dB(A)
Niveau de puissance acoustique garantie L_{WA} (conformément à la norme 2000/14/CE)	100 dB(A)	99 dB(A)

Vibration a_h	Poignée arrière	5,373 m/s ² K=1,5 m/s ²	3,222 m/s ² K=1,5 m/s ²
	Poignée avant	4,146 m/s ² K=1,5 m/s ²	3,081 m/s ² K=1,5 m/s ²

- La valeur totale des vibrations indiquée a été mesurée selon une procédure conforme à une méthode de test standardisée et peut servir pour comparer différents outils.
- La valeur totale des vibrations indiquée peut également servir pour effectuer une première évaluation de l'exposition.

REMARQUE : Le niveau de vibrations lors de l'utilisation réelle de l'outil peut être différent de la valeur déclarée totale en fonction de la manière dont l'outil est utilisé ; Afin de protéger l'opérateur, l'utilisateur doit porter des gants et des protecteurs d'oreilles en conditions réelles d'utilisation.

CONTENU DE L'EMBALLAGE

NOM DES PIÈCES	QUANTI
Ensemble moteur	1
Chaîne de la scie	1
Guide-chaîne	1
Gaine de la chaîne	1
Manuel d'utilisation	1

DESCRIPTION

DESCRIPTION DE VOTRE TRONÇONNEUSE (Image A)

1. Interrupteur-gâchette
2. Verrou d'interrupteur
3. Bouton de déblocage de la batterie
4. Bouchon du réservoir d'huile
5. Fenêtre d'observation du niveau d'huile
6. Chaîne
7. Guide-chaîne
8. Loquet
9. Mécanisme d'éjection
10. Contacts électriques
11. Poignée de frein de rebond de chaîne
12. Bouton de tension de la chaîne
13. Poignée avant
14. Poignée arrière
15. Pion de tension de la chaîne
16. Capot latéral

17. Écrou moleté de capot latéral
18. Protège-guide
19. Trou de lubrification
20. Pignon de renvoi (dans le nez du guide)

REMARQUE : La poignée de frein de rebond de chaîne sert de levier d'activation du frein de chaîne. Il offre aussi une protection contre les branches saillantes et aide à empêcher que la main gauche ne touche la chaîne si elle glisse hors de la poignée avant.

FR

ASSEMBLAGE

AVERTISSEMENT : Si une pièce est manquante ou endommagée, n'utilisez pas cet outil tant qu'elle n'a pas été remplacée. Utiliser cet outil avec des pièces endommagées ou manquantes peut provoquer des blessures corporelles graves.

AVERTISSEMENT : N'essayez jamais de modifier l'outil ni de créer des accessoires non recommandés pour être utilisés avec cette tronçonneuse. De tels modifications et changements constituent une utilisation impropre et peuvent engendrer des situations dangereuses.

AVERTISSEMENT : Pour éviter un démarrage accidentel pouvant provoquer des blessures corporelles graves, retirez toujours la batterie de l'outil avant d'assembler une pièce.

ASSEMBLER/REPLACER LE GUIDE ET LA CHAÎNE

AVERTISSEMENT : Portez toujours des gants lors de la manipulation de la chaîne et du guide, ces pièces sont très coupantes et peuvent comporter des bavures.

1. Posez l'unité moteur de la tronçonneuse sur le côté avec son capot latéral vers le haut (Image H).
2. Tournez l'écrou moleté du capot latéral dans le sens antihoraire pour démonter le capot latéral, puis détendez au maximum le bouton de tension de la chaîne.
3. Posez la chaîne neuve en boucle sur une surface plane et redressez tous les maillons (Image I).
4. Insérez les maillons d'entraînement de la chaîne dans le rail du guide et faites une boucle avec la chaîne à l'arrière du guide (Image J).
5. Maintenez la chaîne en position sur le guide et placez la boucle autour du pignon d'entraînement de l'unité moteur.
6. Insérez la fente du guide sur les goujons d'alignement jusqu'à ce que le pion de tension soit inséré dans le trou inférieur de l'arrière du guide (Image L1).

REMARQUE : De petites flèches directionnelles sont gravées sur la chaîne. Une autre flèche directionnelle est moulée sur le boîtier. Quand vous placez la chaîne autour du pignon d'entraînement, veillez à ce que la direction des flèches de la chaîne corresponde à celle de la flèche du boîtier. Si elles sont dans des directions opposées, retournez l'ensemble chaîne et guide (Image L2).

FR

7. Remplacez le capot latéral et serrez à peine l'écrou moleté de capot latéral.
8. Relevez le nez du guide pour vérifier que la chaîne ne pend pas (Image K). Rabaissez le nez du guide et tournez le bouton de tension de la chaîne dans le sens horaire. Répétez cette procédure jusqu'à ce que la chaîne ne pende plus.
9. Serrez complètement l'écrou moleté du capot latéral pour garantir que la chaîne est correctement tendue avant l'utilisation.

Images J et L. Description des pièces, voir ci-dessous :

J-1	Maillons d'entraînement de la chaîne	L-2	Pion de réglage de la tension
J-2	Rail du guide	L-3	Fente du guide
L-1	Goujon d'alignement	L-4	Pignon d'entraînement

REMARQUE : Pour prolonger la durée de vie du guide, inversez-le occasionnellement.

REMARQUE : Si la chaîne est trop tendue, elle ne tournera pas. Desserrez légèrement l'écrou moleté du capot latéral et tournez une fois le bouton de tension de la droite vers la gauche. Relevez le nez du guide et resserrez complètement l'écrou moleté du capot de pignon. Vérifiez que la chaîne peut tourner sans coincer.

RÉGLER LA TENSION DE LA CHAÎNE

- Arrêtez le moteur et retirez le bloc-batterie avant de régler la tension de la chaîne. Assurez-vous que le bouton du carterlatéral est desserré. Tournez une fois le bouton de tension dans le sens des aiguilles d'une montre pour tendre la chaîne. Consultez la section : « **ASSEMBLER OU REMPLACER LE GUIDE-CHAÎNE ET LA CHAÎNE** » ci-dessus dans le présent guide d'utilisation pour obtenir plus de renseignements.
- Une chaîne froide est correctement tendue quand elle ne pend pas sous le guide-chaîne et qu'elle est serrée, mais qu'elle peut être tournée à la main sans coincer. La chaîne doit être tendue de nouveau quand la dent des maillons d'entraînement ne disparaît plus complètement dans la rainure.

- La température de la chaîne augmentera dans le cadre de l'utilisation normale de la tronçonneuse. Les maillons d'entraînement d'une chaîne chaude bien tendue pendent d'environ 1,3 mm hors de la rainure du guide-chaîne (Image M).

REMARQUE : Une chaîne neuve a tendance à s'allonger. Contrôlez fréquemment la tension de la chaîne et retendez-la si nécessaire.

REMARQUE : Si la tension de la chaîne est réglée quand elle est chaude, la tension risque de devenir trop importante quand la chaîne refroidit. Contrôlez la tension de la chaîne froide avant l'utilisation suivante.

UTILISATION

⚠ AVERTISSEMENT : Veillez à ne pas devenir moins prudent au fur et à mesure que vous vous familiarisez avec cet outil. Gardez à l'esprit qu'une seconde d'inattention peut suffire pour provoquer des blessures graves.

⚠ AVERTISSEMENT : Portez toujours une protection oculaire avec boucliers latéraux. Sans ce type de protection, des objets peuvent être projetés dans vos yeux et d'autres blessures graves peuvent se produire.

⚠ AVERTISSEMENT : N'utilisez aucun accessoire ou pièce non recommandé par le fabricant de ce produit. L'utilisation d'accessoires ou de pièces non recommandés peut provoquer de graves blessures corporelles.

⚠ AVERTISSEMENT : Pour éviter un démarrage accidentel pouvant provoquer des blessures corporelles graves, retirez toujours la batterie de l'outil avant toute opération d'assemblage de pièce, de réglage ou de nettoyage et quand l'outil n'est pas utilisé.

Avant chaque utilisation, inspectez entièrement l'outil pour vérifier qu'aucune pièce n'est endommagée, manquante ou desserrée, par exemple les vis, écrous, boulons, capuchons, etc. Resserrez fermement toutes les fixations et fixez solidement tous les capuchons. N'utilisez pas ce produit tant que toutes les pièces manquantes ou endommagées n'ont pas été remplacées.

APPLICATION

Vous pouvez utiliser ce produit pour des travaux d'abatage, d'ébranchage, d'élagage et de coupe de bois de chauffage et d'arbres basiques.

REMARQUE : L'outil ne doit être utilisé qu'à la finalité spécifiée pour lui. Tout autre usage est considéré impropre.

AJOUTER DU LUBRIFIANT DE GUIDE ET DE CHAÎNE

⚠ AVERTISSEMENT : Ne fumez pas et n'approchez pas de flamme près de l'huile ou de la tronçonneuse. Il peut y avoir des coulures/projections d'huile qui peuvent provoquer un incendie.

REMARQUE : La tronçonneuse n'est pas remplie d'huile lors de son achat. Il faut impérativement remplir son réservoir d'huile avant de l'utiliser. La chaîne est automatiquement lubrifiée par l'huile de chaîne pendant l'utilisation.

1. Posez la tronçonneuse sur le côté avec le bouchon de son réservoir d'huile vers le haut.
2. Nettoyez le bouchon et toute la zone autour de lui, puis tournez-le dans le sens antihoraire pour le retirer (Image N).
3. Versez précautionneusement de l'huile du type préconisé dans le réservoir jusqu'à atteindre le bas du col de filtre.
4. Essayez l'huile en excès et refermez le bouchon.

REMARQUE : Quand l'outil est droit, l'huile doit remplir la fenêtre d'observation. Quand l'huile n'est plus visible par la fenêtre d'observation, cessez immédiatement l'utilisation et rajoutez de l'huile.

INSÉRER/RETIRER LA BATTERIE

Rechargez complètement la batterie avant la première utilisation.

Insérer la batterie (Image O)

Alignez les arêtes de la batterie avec les rainures d'assemblage et appuyez la batterie vers le bas jusqu'à entendre un déclic.

Retirer la batterie (Image P)

Appuyez sur le bouton de déblocage de la batterie et tirez la batterie hors de l'outil.

DÉMARRER/ÉTEINDRE LA TRONÇONNEUSE

REMARQUE : Avant de démarrer la tronçonneuse, contrôlez son niveau d'huile, l'affûtage des gouges de la chaîne et le bon fonctionnement de la poignée de frein de chaîne. Vous devez aussi avoir des appuis des pieds équilibrés et être suffisamment éloigné du sol.

Allumer l'outil

1. Tirez la poignée de frein de rebond de chaîne vers la poignée avant dans la position de travail (Image G).
2. Saisissez fermement les poignées avant et arrière des deux mains.
3. Appuyez d'abord sur le verrou d'interrupteur, puis appuyez sur l'interrupteur-gâchette pour allumer l'outil (Image Q). Relâchez le verrou d'interrupteur et continuez d'appuyer sur l'interrupteur-gâchette pour poursuivre l'utilisation.

⚠ AVERTISSEMENT : N'essayez pas de démarrer la tronçonneuse quand la chaîne est dans la coupe.

Arrêter l'outil

1. Relâchez l'interrupteur-gâchette.
2. Poussez la poignée de frein de rebond de chaîne vers l'avant dans la position de freinage pour engager le frein de chaîne (Image G).

⚠ AVERTISSEMENT : Retirez toujours la batterie de la tronçonneuse pendant les pauses durant le travail et après avoir terminé le travail.

Tenir correctement les poignées (Image E)

- Portez des gants antidérapants afin de maximiser la saisie et la protection.
- Avec la tronçonneuse posée sur une surface plane et rigide, saisissez-la fermement des deux mains.
- Saisissez toujours la poignée avant avec la main gauche et la poignée arrière avec la main droite.
- Les doigts doivent enserrer les poignées avec le pouce placé sous la poignée avant.

⚠ AVERTISSEMENT : Ne tenez jamais l'outil en inversant la position des mains (position des gauchers) et ne prenez jamais une position dans laquelle votre corps ou vos bras coupent le plan longitudinal de la chaîne (Image R).

Position de coupe appropriée (Image S)

- Les deux pieds doivent se trouver sur un sol ferme avec le poids également réparti sur les deux pieds.
- Le bras gauche doit être droit avec le coude bloqué. Cela aide à résister aux forces générées par un rebond.
- Votre corps doit toujours être positionné sur la gauche de l'alignement de la chaîne.

INSTRUCTIONS CONCERNANT LES TECHNIQUES APPROPRIÉES POUR L'ABATTAGE, L'ÉBRANCHAGE ET LES COUPES TRANSVERSALES BASIQUES.

⚠ AVERTISSEMENT : Ayez toujours des appuis des pieds sûrs et tenez toujours la tronçonneuse fermement à deux mains quand le moteur est en marche.

⚠ AVERTISSEMENT : Quand la chaîne est arrêtée par un pincement pendant la coupe, relâchez l'interrupteur-gâchette, retirez la chaîne et le guide hors du bois, puis redémarrez la tronçonneuse.

⚠ AVERTISSEMENT : Ne tirez pas la chaîne à la main quand elle est coincée par des sciures. Cela peut provoquer des blessures graves si la tronçonneuse redémarre accidentellement. Appuyez la chaîne contre le bois et déplacez la tronçonneuse d'avant en arrière pour enlever les débris. Retirez toujours la batterie avant une opération de nettoyage. Portez des gants protecteurs pour travaux lourds pour manipuler la chaîne.

FR

AVERTISSEMENT : Ne démarrez jamais la tronçonneuse quand elle est en contact avec le bois. Attendez toujours que la chaîne ait atteint sa pleine vitesse avant de la mettre en contact avec le bois.

Abattre un arbre

FR

- Quand les opérations d'abattage et de débitage sont effectuées par plusieurs personnes en même temps, l'opération d'abattage doit être éloignée des opérations de débitage d'une distance d'au moins deux fois la hauteur de l'arbre à abattre. Les arbres ne doivent pas être abattus d'une manière pouvant mettre en danger une personne, percuter des lignes électriques ou provoquer des dommages matériels. Si l'arbre est en contact avec une ligne électrique, le fournisseur d'électricité doit en être informé immédiatement.
- L'opérateur de la tronçonneuse doit rester en amont sur la pente, car l'arbre peut rouler ou glisser vers le bas de la pente après avoir été abattu.
- Une voie d'issue doit être planifiée et dégagée autant que nécessaire avant de commencer les coupes. La voie d'issue doit se prolonger vers l'arrière et être diamétralement opposée à la ligne de chute prévue (Image T).
- Avant de commencer l'opération d'abattage, prenez en compte l'inclinaison naturelle de l'arbre, l'emplacement des plus grandes branches et la direction du vent pour évaluer le sens de chute probable de l'arbre.
- Enlevez la terre, les morceaux d'écorce mal fixés, les pierres, les clous, les agrafes et les fils de fer de l'arbre.

Entaille inférieure

Effectuez une entaille sur 1/3 du diamètre de l'arbre, perpendiculairement au sens de la chute (Image U). Effectuez la coupe basse horizontale en premier. Cela aide à éviter le pincement de la chaîne ou du guide lors de la réalisation de la deuxième coupe oblique.

Coupe arrière d'abattage

- Effectuez la coupe arrière d'abattage au minimum 50 mm plus haut que la première coupe horizontale (Image U). Effectuez la coupe arrière d'abattage parallèlement à la première coupe horizontale. Effectuez la coupe arrière d'abattage en laissant une partie suffisante du tronc non coupée pour servir de charnière. La charnière de bois a pour but d'éviter que l'arbre ne pivote et ne tombe du mauvais côté. Ne coupez pas la partie du tronc servant de charnière.
- À mesure que la coupe se rapproche de la partie du tronc servant de charnière, l'arbre doit normalement commencer à tomber. S'il y a la moindre possibilité que l'arbre ne tombe pas dans la direction désirée ou qu'il bascule en arrière en bloquant la chaîne, stoppez la coupe arrière d'abattage avant de la terminer et utilisez des cales en bois, plastique ou aluminium pour ouvrir la coupe et faire tomber l'arbre dans le sens désiré.

- Quand l'arbre commence à tomber, retirez la tronçonneuse de la coupe, éteignez le moteur et posez la tronçonneuse, puis quittez la zone par la voie d'issue planifiée. Prenez garde à la chute de branches surplombantes et faites attention là où vous mettez les pieds.

Images T et U Description des pièces, voir ci-dessous :

T-1	Direction d'abattage	U-2	Entaille
T-2	Voie d'issue sécurisée	U-3	Coupe arrière d'abattage
U-1	Sens de la chute	U-4	Charnière

Ébrancher un arbre

L'ébranchage consiste à couper les branches d'un arbre abattu. Pendant l'ébranchage, laissez les grosses branches inférieures pour qu'elles soutiennent le tronc au-dessus du sol. Coupez les petites branches en une seule coupe (Image V). Les branches sous tension doivent être coupées du bas vers le haut pour éviter que la chaîne et le guide-chaîne ne soient coincés.

Débiter un tronc

- Le débitage consiste à découper un tronc en rondins. Il faut impérativement que vous ayez des appuis des pieds stables et que votre poids soit uniformément réparti sur vos deux pieds. Dans la mesure du possible, le tronc doit être surélevé et soutenu par des branches, des troncs ou des billots. Respectez les instructions simples facilitant la coupe.
- Si le tronc est soutenu sur toute sa longueur (Image W1), il doit être coupé par le dessus (coupe supérieure).
- Si le tronc est soutenu à une seule de ses extrémités (Image W2), coupez 1/3 de son diamètre par en dessous (coupe inférieure), puis terminez en faisant une coupe par le dessus jusqu'à atteindre la première coupe.
- Si le tronc est soutenu à ses deux extrémités (Image W3), coupez 1/3 de son diamètre par le dessus (coupe supérieure), puis terminez la coupe en effectuant une coupe par le dessous pour couper les 2/3 restants jusqu'à atteindre la première coupe.
- Lorsque vous débitez un tronc sur une pente, positionnez-vous toujours en amont sur la pente par rapport au tronc (Image X).
- Pour maintenir un contrôle total lors d'une coupe de part en part, arrêtez d'exercer une pression quand vous approchez de la fin de la coupe sans relâcher votre prise sur les poignées de la tronçonneuse. Veillez à ce que la chaîne n'entre pas en contact avec le sol. Une fois la coupe terminée, attendez l'arrêt complet de la chaîne avant de déplacer la tronçonneuse. Éteignez toujours le moteur avant de vous déplacer d'un arbre à l'autre.

ENTRETIEN

⚠ AVERTISSEMENT : L'outil ne doit être réparé qu'avec des pièces de rechange identique. L'utilisation de toute autre pièce peut créer un danger ou détériorer le produit.

⚠ AVERTISSEMENT : Portez toujours des gants protecteurs pendant toute opération d'entretien de la tronçonneuse.

⚠ AVERTISSEMENT : Pour vous prémunir contre des blessures corporelles graves, retirez toujours la batterie de la tronçonneuse avant toute opération d'inspection, de nettoyage ou d'entretien. Un outil alimenté par batterie avec la batterie insérée est toujours sous tension et peut démarrer accidentellement.

⚠ AVERTISSEMENT : Lors du nettoyage de la tronçonneuse, NE L'IMMERGEZ PAS dans de l'eau ni dans aucun autre liquide.

⚠ AVERTISSEMENT : Veillez à ce que les pièces en plastique de l'outil n'entrent jamais en contact avec du liquide de frein, de l'essence, des produits à base de pétrole, du dégrissant, etc. Les produits chimiques peuvent endommager, fragiliser ou détruire le plastique, ce qui peut provoquer des blessures corporelles graves.

NETTOYAGE

- Après chaque utilisation, enlevez les débris de la chaîne et du guide avec une brosse souple. Essuyez la surface de la tronçonneuse avec un chiffon propre humidifié avec de l'eau et du savon doux.
- Retirez le capot latéral, puis enlevez les débris du guide, de la chaîne, du pignon d'entraînement et du capot latéral avec une brosse souple.
- Enlevez tous les copeaux de bois, les sciures et les saletés du rail du guide quand vous changez la chaîne.

REMPLENER LE GUIDE ET LA CHAÎNE

⚠ AVERTISSEMENT : Ne touchez jamais et ne réglez jamais la chaîne quand le moteur est en marche. La chaîne est très tranchante.

REMARQUE : Lors du changement du guide et de la chaîne, utilisez toujours la combinaison chaîne et guide spécifiée dans le manuel.

Démonter un guide et une chaîne usés (Image Y)

1. Retirez la batterie, laissez la tronçonneuse refroidir et serrez le bouchon du réservoir d'huile.
2. Placez la tronçonneuse sur le côté avec son capot latéral vers le haut.

3. Portez des gants. Retirez le capot latéral en tournant son écrou moleté dans le sens antihoraire. Nettoyez le capot latéral avec un chiffon sec.

REMARQUE : C'est le bon moment pour inspecter le pignon d'entraînement afin de vérifier s'il est endommagé ou excessivement usé.

Assembler un guide et une chaîne neufs

Respectez les instructions du chapitre « **ASSEMBLER/REMPLENER LE GUIDE ET LA CHAÎNE** » de ce manuel.

Régler la tension de la chaîne

Respectez les instructions du chapitre « **RÉGLER LA TENSION DE LA CHAÎNE** » de ce manuel.

ENTRETIEN DE LA CHAÎNE

⚠ AVERTISSEMENT : Portez toujours des gants lors de la manipulation de la chaîne et du guide, ces pièces sont très coupantes et peuvent comporter des bavures.

N'utilisez que des chaînes à faible rebond avec cette scie. Une telle chaîne à coupe rapide offrira une réduction du rebond si elle est bien entretenue.

Une chaîne bien affûtée coupe le bois sans effort, même si vous exercez une pression minimale.

N'utilisez jamais une chaîne émoussée ni endommagée. Une gouge émoussée entraîne une augmentation de l'effort physique demandé et de la vibration, des résultats de découpe insatisfaisants et une usure accrue.

Pour que les coupes soient rapides et fluides, la chaîne doit être correctement entretenue. La chaîne doit être affûtée quand les copeaux de bois sont petits et poudreux, quand la chaîne doit être forcée dans le bois pendant la coupe ou quand elle ne coupe que d'un côté. Pendant l'entretien de votre chaîne, prenez en compte les points suivants :

- Si l'angle d'affûtage par rapport à la platine latérale est incorrect, cela accroît le risque d'un rebond puissant.
- Retrait des limiteurs de profondeurs. Si le retrait des limiteurs de profondeur est trop bas, cela augmente le risque de rebond. S'il n'est pas assez bas, cela réduit la capacité de coupe.
- Si les tranchants des gouges percutent des objets durs, par exemple des clous ou des pierres, ou s'ils ont été abrasés par de la boue ou du sable présent sur le bois, faites affûter la chaîne par un réparateur qualifié.

REMARQUE : Lors du changement de la chaîne, inspectez le pignon d'entraînement pour vérifier qu'il n'est ni usé ni endommagé. S'il présente des signes d'usures ou de détérioration dans les zones indiquées, faites-le changer par un réparateur qualifié.

FR

ENTRETIEN DU GUIDE-CHAÎNE

Quand le guide présente des signes d'usure, retournez-le sur la tronçonneuse pour répartir l'usure et maximiser sa durée de vie. Le guide doit être nettoyé chaque jour d'utilisation et inspecté pour contrôler son usure et sa détérioration. L'apparition de bavures et l'amincissement du guide font partie du processus normal d'usure du guide. Ces défauts doivent être lissés avec une lime dès leur apparition. Un guide présentant l'un des défauts suivants doit être changé.

- Usure interne du rail du guide permettant à la chaîne de se coucher sur le côté.
- Guide tordu.
- Rail fissuré ou cassé.
- Rail élargi.

Le nez du guide comporte un pignon de renvoi (Image A-20). Ce pignon doit être lubrifié toutes les semaines avec une seringue à graisse pour prolonger la durée de vie du guide. Utilisez une seringue à graisse pour lubrifier toutes les semaines avec de l'huile de chaîne via le trou de lubrification (Image A-19). Retournez le guide et vérifiez que les trous de lubrification et le rail sont exempts de saletés.

TRANSPORT ET RANGEMENT

- Ne rangez pas et ne transportez pas la tronçonneuse quand elle est en marche. Retirez toujours la batterie de l'outil avant de ranger ou de transporter l'outil.
- Recouvrez toujours le guide et la chaîne avec le protège-guide avant de ranger ou de transporter la tronçonneuse. Faites attention pour éviter qu'il ne soit endommagé par les gouges de la chaîne.
- Nettoyez soigneusement la tronçonneuse avant de ranger. Rangez la tronçonneuse en intérieur, dans un endroit sec qui est verrouillé et/ou hors de portée des enfants.
- Veillez à ce qu'il reste éloigné des produits corrosifs, par exemple les produits chimiques de jardinage et les sels de déverglaçage.

Protection de l'environnement



Ne jetez pas les équipements électriques, les chargeurs de batterie, les batteries rechargeables et les piles avec les ordures ménagères !

Conformément à la directive européenne 2012/19/UE, les équipements électriques et électroniques qui ne sont plus utilisables, et conformément à la directive européenne 2006/66/CE, les batteries rechargeables et les piles usagées ou défectueuses doivent être collectés séparément.

Si les appareils électriques sont jetés dans des décharges ou des dépôts d'ordures, des substances dangereuses peuvent s'infiltrer jusque dans la nappe phréatique et entrer dans la chaîne alimentaire, avec un effet néfaste sur votre santé et votre bien-être.

DÉCLARATION DE CONFORMITÉ CE

Nous, CHERVON EUROPE LTD.

47 CASTLE STREET, READING, RG1 7SR, UNITED KINGDOM

Déclarons que le produit ci-dessous **tronçonneuse sans fil au lithium-ion de 56V CS1400E /CS1600E**, satisfait aux exigences sanitaires et de sécurité essentielles des directives suivantes :

2006/42/CE, 2004/108/CE, 2011/65/UE, 2000/14/CE

Normes et spécifications techniques visées :

EN 60745-1, EN 60745-2-13, EN 55014-1, EN 55014-2

	CS1400E	CS1600E
Niveau de puissance acoustique mesuré :	96,73 dB(A)	96,4 dB(A)
Niveau de puissance acoustique garanti :	100 dB(A)	99 dB(A)

Peter Melrose
Vice-Président de Chervon Europe

Dong Jianxun
Directeur Qualité de Chervon

* (Représentant autorisé par CHERVON et responsable de la documentation technique)

01/01/2016

Nom, adresse et numéro d'identification de l'organisme notifié :

TüV Rheinland LGA Products GmbH; Tillystra 2 D - 90431 Nürnberg, Germany; 0197.

Numéro de l'attestation d'examen CE de type :

BM 50326004 0001 (CS1600E)

BM 50296271 0001 (CS1400E)

DÉPANNAGE

⚠ AVERTISSEMENT : Protégez toujours vos mains en portant des gants pour travaux lourds pendant toutes les opérations d'entretien de la tronçonneuse. Retirez toujours la batterie pendant l'entretien ou le transport de la tronçonneuse.

PROBLÈME	CAUSE	SOLUTION
Le moteur ne fonctionne pas.	<ul style="list-style-type: none"> ■ La batterie n'est pas insérée dans la tronçonneuse. ■ Il n'y a pas de contact électrique entre la tronçonneuse et la batterie. ■ La batterie est déchargée. ■ La batterie ou la tronçonneuse est trop chaude. ■ Le verrou d'interrupteur n'est pas appuyé avant d'appuyer sur l'interrupteur-gâchette. ■ Le frein de chaîne est engagé. ■ La chaîne est coincée dans le bois. ■ Il y a des débris dans le rail du guide. ■ Il y a des débris dans le capot latéral. 	<ul style="list-style-type: none"> ■ Insérez la batterie dans la tronçonneuse. ■ Retirez la batterie, inspectez les contacts, puis réinsérez la batterie. ■ Rechargez la batterie. ■ Laissez la batterie ou la tronçonneuse refroidir jusqu'à ce que sa température devienne inférieure à 67 °C. ■ Appuyez sur le verrou d'interrupteur et maintenez-le appuyé, puis appuyez sur l'interrupteur-gâchette pour allumer la tronçonneuse. ■ Tirez la poignée de frein de rebond de chaîne en arrière vers la poignée avant. ■ Relâchez l'interrupteur-gâchette, retirez la chaîne et le guide hors du bois, puis redémarrez la tronçonneuse. ■ Appuyez la chaîne contre le bois et déplacez la tronçonneuse d'avant en arrière pour enlever les débris. ■ Retirez la batterie, puis retirez le capot latéral et enlevez les débris.
Le moteur fonctionne, mais la chaîne ne tourne pas.	<ul style="list-style-type: none"> ■ La chaîne n'est pas engagée dans le pignon d'entraînement. 	<ul style="list-style-type: none"> ■ Réinstallez la chaîne et veillez à ce que ses maillons d'entraînement soient complètement engagés sur le pignon.
Le frein de chaîne n'est pas engagé.	<ul style="list-style-type: none"> ■ Des débris empêchent le mouvement complet de la poignée du frein de rebond de chaîne. ■ Dysfonctionnement possible du frein de chaîne. 	<ul style="list-style-type: none"> ■ Enlevez les débris du mécanisme externe du frein de chaîne. ■ Contactez le service client EGO.

FR

PROBLÈME	CAUSE	SOLUTION
La tronçonneuse ne coupe pas bien.	<ul style="list-style-type: none"> ■ La chaîne n'est pas assez tendue. ■ La chaîne est émoussée. ■ La chaîne a été assemblée à l'envers. ■ La chaîne est usée. ■ La chaîne est sèche ou excessivement tendue. ■ La chaîne n'est pas dans le rail du guide. 	<ul style="list-style-type: none"> ■ Réglez la tension de la chaîne en respectant les instructions du chapitre « RÉGLER LA TENSION DE LA CHAÎNE ». ■ Affûtez les gouges de la chaîne en respectant les instructions du chapitre « COMMENT AFFÛTER LES GOUGES ». ■ Réinstallez la chaîne en respectant les instructions du chapitre « REPLACER LE GUIDE ET LA CHAÎNE ». ■ Remplacez la chaîne en respectant les instructions du chapitre « REPLACER LE GUIDE ET LA CHAÎNE ». ■ Contrôlez le niveau d'huile. Remplissez le réservoir d'huile si nécessaire. ■ Réinstallez la chaîne en respectant les instructions du chapitre « REPLACER LE GUIDE ET LA CHAÎNE ».
La chaîne et le guide chauffent et fument.	<ul style="list-style-type: none"> ■ Contrôlez la tension de la chaîne pour vérifier qu'elle n'est pas trop tendue. ■ Le réservoir d'huile de chaîne est vide. ■ Il y a des débris dans le rail du guide. 	<ul style="list-style-type: none"> ■ Réglez la tension de la chaîne en respectant les instructions du chapitre « RÉGLER LA TENSION DE LA CHAÎNE ». ■ Ajoutez du lubrifiant de guide et de chaîne. ■ Enlevez les débris du rail du guide.

GARANTIE

POLITIQUE DE GARANTIE EGO

Rendez-vous sur le site Internet egopowerplus.com pour consulter les termes et conditions complets de la politique de garantie EGO.

LEA TODAS LAS INSTRUCCIONES!



ASEGÚRESE DE LEER Y ENTENDER PERFECTAMENTE EL MANUAL DE INSTRUCCIONES

⚠ Riesgo residual! Aquellas personas con implantes electrónicos, tales como marcapasos, deberán consultar a su médico antes de utilizar este producto. La utilización de equipos eléctricos a proximidad de un marcapasos podría causar en este interferencias o averías.

⚠ ADVERTENCIA: Para garantizar la seguridad y fiabilidad de la herramienta, confíe cualquier reparación y sustitución de piezas que sea necesaria a personal técnico cualificado.

SÍMBOLOS RELACIONADOS CON LA SEGURIDAD

El propósito de los símbolos de seguridad es el de atraer su atención hacia los posibles peligros que conlleva la utilización del producto. Los símbolos de seguridad y las explicaciones que los acompañan requieren su máxima atención y comprensión. Por sí solos, los símbolos de advertencia no eliminan los posibles peligros que pudieran existir. Las instrucciones y advertencias que aquí se incluyen no son sustitutas en modo alguno de las medidas de prevención adecuadas que deben tomarse para evitar posibles accidentes.

⚠ ADVERTENCIA: Antes de utilizar esta herramienta, asegúrese de haber leído y entendido perfectamente todas las instrucciones incluidas en este Manual del usuario, incluidos todos los símbolos de aviso sobre seguridad, tales como **“PELIGRO”**, **“ADVERTENCIA”** y **“PRECAUCIÓN”**. De no observarse todas las instrucciones proporcionadas a continuación podría existir un riesgo de incendio, electrocución, así como de lesiones físicas graves.

SIGNIFICADO DE LOS DISTINTOS SÍMBOLOS

SÍMBOLO DE AVISO DE SEGURIDAD: señala algún tipo de PELIGRO, ADVERTENCIA o PRECAUCIÓN a tener en cuenta. Este símbolo podrá utilizarse de manera conjunta con otros símbolos o pictogramas.


⚠ ADVERTENCIA: Es posible que, cuando se utilizan herramientas eléctricas, salgan despedidos objetos que podrían causar lesiones oculares severas si no se utiliza equipo de protección personal adecuado. Antes de empezar a usar herramientas eléctricas, póngase siempre gafas de seguridad, gafas con cristales anti-impacto que cuenten con pantallas de protección lateral, o bien una máscara facial que proteja completamente la cara. Recomendamos la utilización de máscaras de seguridad de amplia visión que pueden utilizarse encima de gafas graduadas, o bien gafas normales de seguridad equipadas con pantallas laterales.


INSTRUCCIONES RELACIONADAS CON LA SEGURIDAD

Esta página muestra y describe los símbolos de seguridad que puede haber en este producto. Asegúrese de leer, entender perfectamente y observar todas las instrucciones estampadas o proporcionadas con el producto antes de proceder a su montaje y utilización.

	Aviso de seguridad	Indica una situación potencialmente peligrosa que, de no evitarse, podría dar lugar a lesiones físicas.
	Leer el Manual del usuario	Para reducir en lo posible el riesgo de lesiones, el usuario debe leer el manual de instrucciones suministrado con el producto.
	Utilizar protección ocular	Utilice siempre utilice gafas de seguridad, gafas con cristales anti-impacto que cuenten con pantallas de protección lateral, o bien una máscara facial que proteja completamente la cara cuando se sirva de este producto.
	Utilizar protección auditiva	Utilice siempre protección auditiva cuando se sirva de este producto.
	Utilizar protección para la cabeza	Lleve puesto casco de seguridad a fin de proteger su cabeza de posibles impactos.
	Utilizar guantes de protección	Utilice guantes para proteger sus manos a la hora de manipular la motosierra o la cadena. Utilice guantes gruesos, resistentes y antideslizantes que, además de hacer que sus manos estén mejor protegidas, le permitirán agarrar con mayor seguridad las empuñaduras de la herramienta.
	Espada	Observe la información referente a la espada.

ES

	Esté siempre atento a posibles retrocesos.	Deberán extremarse las precauciones para evitar cualquier contacto accidental de la punta de la espada con ningún objeto.
	Retroceso por contacto de la punta de la espada	Cualquier contacto fortuito de la punta de la espada con un objeto podría hacer que esta rebotara bruscamente hacia arriba y en dirección al usuario, con el consiguiente riesgo de provocar lesiones físicas graves.
	Sujetar con ambas manos	Utilice siempre ambas manos para sujetar la motosierra durante su uso.
	No exponer la herramienta a la acción de la lluvia	No utilice la herramienta bajo la lluvia ni la deje a la intemperie cuando esté lloviendo.
	CE	Este producto cumple las directivas de la CE aplicables.
	Ruido	Nivel de potencia acústica garantizado. La emisión de ruido al medio ambiente cumple la directiva de la Comunidad Europea.
	WEEE	Los productos eléctricos no deben eliminarse con la basura doméstica. Lívelos a un centro de reciclaje autorizado.
V	Voltios	Tensión
A	Amperios	Corriente
Hz	Hercios	Frecuencia (ciclos por segundo)
W	Vatios	Potencia eléctrica
min	Minutos	Tiempo
	Corriente alterna	Tipo de corriente

	Corriente continua	Tipo o característica de la corriente
n_0	Velocidad en vacío:	Velocidad de giro, sin carga
.../min	Por minuto	Revoluciones por minuto

MEDIDAS DE SEGURIDAD GENERALES DE LA HERRAMIENTA ELÉCTRICA

⚠ ADVERTENCIA: Lea todas las instrucciones y advertencias relacionadas con la seguridad que se indican a continuación. De no observarse las instrucciones y advertencias de seguridad podría existir un riesgo de incendio, electrocución y/o lesiones físicas de importancia.

Conservar todas las instrucciones y advertencias para futuras consultas.

El término "herramientas eléctricas" que aparece en las advertencias se refiere tanto a aquellas herramientas que funcionan conectadas a la red eléctrica (mediante cable) como a aquellas otras que funcionan con acumuladores (inalámbricas).

SEGURIDAD EN LA ZONA DE TRABAJO

- **Mantenga la zona de trabajo limpia y bien iluminada.** Aquellas áreas desordenadas o insuficientemente iluminadas son más propensas a accidentes.
- **No utilice herramientas eléctricas en entornos explosivos; por ejemplo, en presencia de gasolina, o bien de líquidos, gases o polvo inflamables.** Las herramientas eléctricas generan chispas que podrían actuar como detonante de vapores y partículas de polvo inflamables.
- **Mantenga a niños y demás personas a una distancia prudente mientras utiliza herramientas eléctricas.** Cualquier distracción podría hacerle perder el control de la herramienta.

SEGURIDAD ELÉCTRICA

- **Los enchufes de las herramientas eléctricas deberán coincidir con el tipo de toma de corriente donde vayan a conectarse. Nunca modifique los enchufes en modo alguno. Nunca utilice enchufes adaptadores o ladrones de corriente con herramientas eléctricas equipadas con conexión a tierra.** Unos enchufes sin modificar y que coincidan perfectamente con sus tomas de corriente reducirán enormemente los riesgos de electrocución.

- **Evite cualquier contacto corporal con superficies conectadas a tierra tales como tuberías, radiadores, hornillos eléctricos y frigoríficos.** Existirá un mayor riesgo de electrocución si su cuerpo actúa como conductor a tierra con dichos elementos y dispositivos.
- **No exponga las herramientas eléctricas a la acción de la lluvia ni a entornos húmedos.** La penetración de agua en una herramienta eléctrica aumentará el riesgo de electrocución.
- **No maltrate el cable de alimentación eléctrica. Nunca utilice el cable para transportar, arrastrar, o desenchufar la herramienta eléctrica. Mantenga el cable apartado de fuentes de calor, aceite, cantos afilados o elementos móviles.** Unos cables dañados o enredados aumentarán los riesgos de electrocución.
- **Cuando utilice una herramienta eléctrica al aire libre, asegúrese de utilizar alargaderas de corriente especificadas para uso en exteriores.** La utilización de un cable adecuado para uso en exteriores reducirá el riesgo de electrocución.
- **De no poderse evitar la utilización de una herramienta eléctrica en un entorno húmedo, asegúrese de conectarla a una instalación eléctrica equipada con un interruptor de protección diferencial.** La utilización de un interruptor de protección diferencial reducirá el riesgo de electrocución.
- **Retire cualquier llave o útil de ajuste antes de poner en marcha la herramienta.** Cualquier llave o útil sujeto a un elemento rotativo de la herramienta eléctrica podría ocasionar lesiones físicas.
- **No se estire demasiado para alcanzar lugares de difícil acceso. Mantenga en todo momento un buen equilibrio y los pies firmemente apoyados en el suelo.** De esta manera, tendrá un mejor control de la herramienta eléctrica en caso de producirse alguna situación inesperada.
- **Utilice ropa adecuada. No lleve puesta ropa holgada ni joyas. Mantenga cabellos, ropa y guantes a una distancia prudente de los elementos móviles de la herramienta.** La ropa holgada, así como las joyas o el pelo largo podrían engancharse en las partes móviles de la herramienta.
- **De suministrarse dispositivos de conexión a extractores y colectores de polvo, asegúrese de conectarlos y utilizarlos de la manera adecuada.** La utilización de dispositivos colectores de polvo podrá reducir notablemente los peligros ocasionados por el polvo.

UTILIZACIÓN Y CUIDADO DE LAS HERRAMIENTAS ELÉCTRICAS

SEGURIDAD PERSONAL

- **Manténgase alerta, concéntrese en lo que esté haciendo y utilice siempre su sentido común cuando se sirva de herramientas eléctricas. No utilice herramientas eléctricas si está cansado o se encuentra bajo los efectos de estupefacientes, alcohol o fármacos.** Cualquier momento de descuido durante la utilización de herramientas eléctricas podría dar lugar a lesiones físicas graves.
- **Utilice equipo de protección personal. Utilice siempre protección ocular.** La utilización de equipos de protección tales como mascarillas antipolvo, calzado de seguridad antideslizante, cascos de seguridad o protección auditiva en las circunstancias que así lo requieran reducirá el riesgo de lesiones físicas.
- **Procure evitar la activación fortuita de la herramienta. Asegúrese de que el interruptor de encendido se encuentra en la posición de apagado antes de enchufar la herramienta a la red eléctrica y/o de acoplar el acumulador, así como al recoger o transportar la herramienta.** El hecho de transportar herramientas eléctricas con el dedo apoyado en el gatillo o interruptor de activación, o bien de enchufarlas a una toma de corriente o acoplar su acumulador mientras su interruptor está en la posición de encendido es propicio a causar accidentes.
- **No fuerce las herramientas eléctricas. Utilice la herramienta eléctrica apropiada para el trabajo que vaya a realizar.** La utilización de la herramienta correcta a la velocidad de funcionamiento para la que ha sido diseñada le ayudará a efectuar el trabajo de manera más fácil y segura.
- **No utilice ninguna herramienta eléctrica cuyo interruptor de encendido/apagado no funcione como es debido.** Cualquier herramienta que no pueda controlarse mediante su interruptor, supondrá un peligro y deberá repararse antes de poder utilizarse.
- **Asegúrese siempre de retirar el enchufe de la toma de corriente y/o el acumulador de las herramientas eléctricas antes de ajustarlas, cambiar sus accesorios o guardarlas.** Estas medidas preventivas de seguridad reducirán enormemente el riesgo de que la herramienta pueda activarse de manera fortuita.
- **Almacene las herramientas eléctricas apagadas fuera del alcance de niños y no permita en ningún momento que aquellas personas que no estén lo suficientemente familiarizadas con estas instrucciones o este tipo de herramientas las utilicen.** Las herramientas eléctricas son extremadamente peligrosas en manos de aquellas personas que no cuentan con la debida formación o experiencia para su uso.

- Lleve a cabo el mantenimiento que sea necesario en sus herramientas eléctricas. Examine las herramientas eléctricas por si alguno de sus elementos móviles estuviera desalineado o doblado, y verifique también que no haya piezas rotas ni se observe ninguna otra condición que pudiera comprometer su funcionamiento correcto. De observarse cualquier tipo de daño, asegúrese de llevar a reparar la herramienta eléctrica antes de utilizarla. Numerosos accidentes se producen como consecuencia de un mantenimiento deficiente de las herramientas eléctricas.

- Mantenga las herramientas de corte limpias y afiladas. El mantenimiento correcto de las herramientas de corte, asegurándose de que sus filos estén bien afilados, las hace menos propensas a atascarse y permite controlarlas con más facilidad.
- Utilice la herramienta eléctrica, así como sus accesorios, brocas, puntas de destornillador, etc., conforme a lo indicado en estas instrucciones y teniendo siempre en cuenta las condiciones de trabajo, así como la tarea a efectuar. La utilización de herramientas eléctricas para propósitos distintos a aquellos para los que han sido diseñadas podría suponer un peligro.

UTILIZACIÓN Y CUIDADO DEL ACUMULADOR DE LA HERRAMIENTA

- Recargue la herramienta utilizando únicamente el cargador especificado por el fabricante. Un cargador adecuado para cierto tipo de acumulador podrá suponer un riesgo de incendio si se utiliza con un acumulador distinto.
- Utilice únicamente las herramientas eléctricas con acumuladores específicamente diseñados para estas. La utilización de acumuladores distintos podría suponer un riesgo de lesiones físicas e incendio.
- Cuando no se esté utilizando el acumulador, manténgalo apartado de objetos metálicos tales como clips para papeles, monedas, llaves, clavos, tornillos, o de cualquier otro objeto metálico pequeño que pudiera provocar un cortocircuito en sus terminales de corriente. De cortocircuitarse los terminales del acumulador, podrían producirse quemaduras o incendios.
- En condiciones de uso intensivo, es posible que se produzca una fuga de ácido de los acumuladores. Evite cualquier contacto con dicho electrolito. De producirse cualquier contacto accidental, enjuague la zona corporal afectada con abundante agua. Si el electrolito llegara a penetrar en los ojos, deberá solicitarse atención médica urgente. El líquido emanado del acumulador podría causar irritación o quemaduras.

SERVICIO TÉCNICO

- Asegúrese de que las reparaciones que deban efectuarse en sus herramientas eléctricas las lleve a cabo personal técnico cualificado que, además, utilice únicamente piezas de recambio idénticas a las originales. Solo de este modo podrá garantizarse la seguridad de uso de las herramientas eléctricas.

ADVERTENCIAS DE SEGURIDAD RELACIONADAS CON LA MOTOSIERRA

- Mantenga todas las partes del cuerpo apartadas de la cadena de corte cuando utilice la motosierra. Antes de poner en marcha la motosierra, asegúrese de que la cadena no esté haciendo contacto con ningún objeto. Cualquier momento de distracción durante la utilización de una motosierra podría hacer que su ropa o alguna parte del cuerpo quedasen enganchadas en la cadena.
- La motosierra deberá sujetarse siempre utilizando la mano derecha para la empuñadura trasera y la mano izquierda para la empuñadura delantera. El hecho de sujetar la motosierra con las manos colocadas en una posición diferente u opuesta a la indicada aumentará el riesgo de sufrir lesiones físicas y, por lo tanto, deberá evitarse a toda costa.
- Sujete la herramienta eléctrica solo por sus superficies de agarre aisladas ya que la cadena podría entrar en contacto accidentalmente con cables ocultos. El contacto de la cadena con un cable bajo tensión podría transmitir a las piezas metálicas expuestas de la herramienta eléctrica la corriente transportada por el cable y hacer que el usuario reciba una descarga eléctrica.
- Utilice gafas de seguridad y protección auditiva. Asimismo, se recomienda utilizar equipo de protección personal complementario para la cabeza, manos, piernas y pies. La utilización de ropa de protección adecuada reducirá los riesgos de sufrir lesiones físicas producidas por los elementos que puedan salir despedidos, o por el contacto accidental con la cadena de la motosierra.
- No utilice la motosierra mientras esté subido en un árbol. La utilización de una motosierra mientras se está encima de un árbol podría provocar lesiones físicas.
- Mantenga en todo momento los pies firmemente apoyados en el suelo y haga funcionar la motosierra desde una posición fija, segura y nivelada. Las superficies resbaladizas o inestable, como las escaleras, podrían hacerle perder el equilibrio o el control de la motosierra.
- Preste especial atención al cortar ramas sometidas a tensión, ya que podrían rebotar hacia usted. Al liberarse la tensión existente en las fibras de la madera, la rama en cuestión podría golpearle y/o hacerle perder el control de la motosierra.

- **Extreme las precauciones al cortar matorrales y arbustos.** Podrían quedar atrapados pequeños trozos de madera en la cadena de la motosierra, y salir despedidos en su dirección o hacerle perder el equilibrio.
- **Transporte la motosierra sujetándola por su empuñadura delantera, asegurándose de que está apagada y manteniéndola apartada de su cuerpo. Cuando transporte o guarde la motosierra, instale siempre el protector de la espada.** Una manipulación correcta de la motosierra reducirá las posibilidades de contacto accidental con la cadena en movimiento.
- **Siga las instrucciones proporcionadas para lubricar y tensar la cadena, así como para sustituir los accesorios de la motosierra.** Una cadena incorrectamente lubricada o tensada podría romperse o aumentar el riesgo de provocar retrocesos.
- **Mantenga las empuñaduras de la herramienta secas, limpias y libres de aceite y grasa.** Las empuñaduras con aceite o grasa estarán resbaladizas, pudiéndole hacer perder el control de la herramienta.
- **Utilice la herramienta exclusivamente para cortar madera. No utilice la motosierra para trabajos distintos a aquellos para los que ha sido diseñada. Por ejemplo, no utilice la motosierra para cortar plástico, ladrillo, cemento u otros materiales de construcción que no sean de madera.** La utilización de la motosierra para propósitos distintos a los previstos podría suponer un peligro.

CAUSAS DE RETROCESO DE LA HERRAMIENTA Y PREVENCIÓN DE ESTE POR PARTE DEL USUARIO (fig. B, C, D y E)

Podría producirse un retroceso si la punta o sección superior de la espada entra contacto con un objeto, o si el corte efectuado en la madera se cierra haciendo que la cadena se trabe en el corte.

En algunos casos, el contacto de la punta con la madera puede producir una reacción de retroceso repentina, impulsando la espada hacia arriba y hacia atrás en dirección al usuario (fig B).

Asimismo, si la cadena en la parte superior de la espada llega a trabarse en el corte, la espada podría impulsarse rápidamente hacia atrás en dirección al usuario (fig C).

Fig. B y C, ver abajo la descripción del funcionamiento:

B-1	Retroceso rotativo
C-1	Retroceso lineal

Cualquiera de estas reacciones podría hacerle perder el control de la motosierra y llegar a provocarle lesiones físicas graves. No confíe exclusivamente en los dispositivos de seguridad integrados en su motosierra.

Como usuario de una motosierra, deberá tomar ciertas medidas de precaución para efectuar sus trabajos de corte sin exponerse a riesgos de accidentes o lesiones.

El retroceso se produce debido a una aplicación y/o manipulación incorrecta de la herramienta o por causa de su mal estado. Podrá evitarse adoptando las medidas preventivas que se detallan a continuación:

- **Sujete firmemente la herramienta con ambas manos, asegurándose de rodear correctamente las empuñaduras con los dedos y pulgares. Asimismo, adopte la posición correcta de manera que sus brazos y cuerpo puedan resistir las fuerzas de reacción resultantes del efecto de retroceso (fig. E).** El usuario podrá controlar el efecto de retroceso tomando las precauciones adecuadas al respecto. Nunca suelte la motosierra mientras la esté utilizando.
- **Procure no estirarse demasiado para alcanzar lugares de difícil acceso ni efectúe nunca cortes a una altura superior a la de sus hombros.** De esta manera, evitará cualquier contacto accidental con la punta de la motosierra y tendrá un mayor control sobre esta en caso de producirse alguna situación inesperada.
- **Utilice únicamente cadenas y espadas de recambio especificadas por el fabricante.** La utilización de cadenas y espadas de recambio incorrectas podría provocar la ruptura de la cadena y/o aumentar los riesgos de retroceso.
- **Siga las indicaciones del fabricante a la hora de afilar la cadena o efectuar en esta las tareas de mantenimiento pertinentes.** Una reducción de la altura de los limitadores de profundidad contribuirá a un mayor riesgo de retroceso.
- **Asegúrese de que la zona en la que está cortando esté libre de obstrucciones y obstáculos.** No permita que la punta de la espada entre en contacto con troncos, ramas, vallas o cualquier otro obstáculo que pudiera golpearse mientras utiliza la motosierra.
- **Siempre corte con la herramienta funcionando a su máxima velocidad.** Apriete totalmente el gatillo interruptor y mantenga la velocidad de corte.
- **Entendiendo las nociones básicas del efecto de retroceso, podrá reducir o eliminar el factor sorpresa.** Las sorpresas o reacciones repentinas son propensas a provocar accidentes.
- **Mantenga en todo momento un buen equilibrio y los pies firmemente apoyados en el suelo.**
- **Empuje y tracción:** la fuerza de reacción siempre es opuesta a la dirección de desplazamiento de la cadena en el momento de hacer contacto con la madera. Por lo tanto, el usuario deberá estar preparado para poder controlar la TRACCIÓN que se produce al cortar con el canto inferior de la espada, así como el EMPUJE que tiene lugar al cortar a lo largo del canto superior (fig. F).

DISPOSITIVOS DE SEGURIDAD ANTI-RETROCESO INSTALADOS EN ESTA MOTOSIERRA

Freno de cadena

La motosierra viene equipada con un freno de cadena que detiene el motor y el desplazamiento de la cadena en cuanto se produce un retroceso. El freno de cadena podrá activarse como consecuencia del desplazamiento hacia adelante de la palanca del freno de cadena/guarda de protección de mano como consecuencia del rebote hacia atrás de la motosierra al producirse retroceso. Así mismo, podrá activarse por las fuerzas de inercia generadas durante un retroceso súbito.

ES

⚠️ ADVERTENCIA: Nunca modifique ni intente desactivar el freno de cadena.

Asegúrese de que el freno de cadena funciona correctamente antes de usar la motosierra. La palanca del freno de cadena/guarda de protección de mano deberá poder desplazarse fácilmente hacia adelante y hacia atrás.

Para comprobar el funcionamiento del freno de cadena, realice los pasos siguientes (fig. G):

- Coloque la motosierra sobre una superficie plana y despejada, asegurándose de que no haya cerca objetos ni obstáculos que pudieran entrar en contacto con la espada y cadena.
- Suelte el freno de cadena tirando de la palanca del freno de cadena/guarda de protección de mano hacia la empuñadura delantera.
- Ponga en marcha la motosierra.
- Empuje la palanca del freno de cadena/guarda de protección de mano hacia la parte delantera de la motosierra. Si freno de accionamiento manual funciona correctamente, se detendrá inmediatamente el movimiento de la cadena. En caso de que el freno de cadena no funcione correctamente, no utilice la motosierra hasta que haya sido reparada por el un técnico cualificado.

Fig. G, ver abajo la descripción del funcionamiento:

G-1	Palanca del freno de cadena/guarda de protección de mano en posición de uso normal
G-2	Palanca del freno de cadena/guarda de protección de mano en posición accionada

⚠️ ADVERTENCIA: Confirme que el freno de cadena funciona correctamente antes de cada uso.

⚠️ ADVERTENCIA: Si el freno de cadena está obstruido por acumulaciones de virutas, la protección ofrecida al usuario podría verse comprometida. Mantenga siempre limpia la herramienta.

Cadena de bajo retroceso

Los dientes de arrastre (limitadores de profundidad) situados delante de cada diente de corte pueden reducir la fuerza de reacción del retroceso al impedir que dichos dientes de corte se claven a demasiada profundidad en la zona de retroceso. Utilice únicamente una cadena de recambio equivalente a la cadena original u homologada para esta motosierra.

⚠️ ¡PRECAUCIÓN! Debido a que es necesario afilar las cadenas durante su vida útil, serán propensas a perder algunas de sus cualidades de bajo retroceso y, por lo tanto deberán tomarse precauciones adicionales.

ADVERTENCIAS COMPLEMENTARIAS

- **La motosierra ha sido diseñada para utilizarla con ambas manos.** Tanto el usuario como sus asistentes y/o personas presentes en la zona de trabajo podrían resultar heridos si la herramienta se utiliza con una sola mano.
- **Evite todo contacto fortuito con la cadena estacionaria o con el carril fijo de la espada.** Estos elementos pueden estar muy afilados. Utilice siempre guantes y pantalones largos o zahones cuando manipule la motosierra, la cadena o la espada.
- **Nunca utilice una motosierra que esté dañada en modo alguno, que no esté correctamente ajustada, o que no se haya montado totalmente y de forma segura.** Asegúrese de que la cadena se detiene una vez que se suelta el gatillo interruptor.
- **Antes de proceder a cortarla, examine la madera por si tuviera clavos, alambres u otros objetos extraños.**
- **Cuando fragmente troncos, sujételos adecuadamente antes de cortarlos. Al talar o podar árboles, identifique y soporte adecuadamente aquellas ramas peligrosas.**
- **Una utilización inadecuada de la motosierra, así como la ejecución de cortes de manera agresiva o inapropiada, podría dar lugar al desgaste prematuro de la espada, la cadena y/o del piñón, o bien a la rotura de la cadena o espada, con el consiguiente riesgo de retroceso, latigazo de la cadena o expulsión violenta de material.**
- **Nunca use la espada a modo de palanca.** Una espada doblada o deformada podría causar el desgaste prematuro de la espada, la cadena y/o del piñón, o bien la rotura de la cadena o espada con el consiguiente riesgo de retroceso, latigazo de la cadena o expulsión violenta de material.
- **Corte únicamente un trozo de material a la vez.**

- **Utilice la motosierra solo con acumuladores y cargadores de EGO.**

ACUMULADOR	CARGADOR
BA1120E, BA2240E, BA2800, BA3360, BA4200	CH5500E, CH2100E

- **No recargue el acumulador bajo la lluvia ni en entornos excesivamente húmedos.**
- **Planifique su trabajo, asegurándose de que la zona de trabajo esté libre de obstáculos y, en el caso de tala, tenga al menos una ruta de escape durante el derribo del árbol.**
- **A la hora de proceder al derribo, mantenga a posibles terceros presentes a una distancia de seguridad equivalente a dos veces la longitud del árbol en cuestión.**
- **De darse alguna situación que no estuviera cubierta en este manual, asegúrese de actuar con cuidado y buen juicio. Póngase en contacto con el departamento de atención al cliente de EGO en caso de que necesite asistencia al respecto.**

ESPADA DE MOTOSIERRA

Esta motosierra está equipada con una espada con un radio de punta pequeño. Las espadas con menor radio de punta suelen ser menos propensas a provocar retroceso. Cuando sustituya la espada, asegúrese de solicitar la referencia de espada indicada en este manual.

¡CONSERVE ESTAS INSTRUCCIONES EN UN LUGAR SEGURO!

ESPECIFICACIONES

Modelo	CS1400E	CS1600E
Tensión	56 V ---	56 V ---
Longitud de la espada	350 mm	400 mm
Paso de cadena	9,5 mm	9,5 mm
Calibre de la cadena	1,1 mm	1,1 mm
Tipo de cadena de la motosierra	90PX052X (Oregon)	90PX052X (Oregon) 90PX056X (Oregon)
Tipo de espada	144MLEA041 (Oregon)	144MLEA041 (Oregon) 164MLEA041 (Oregon)
Capacidad del depósito de aceite de la cadena	150 ml	150 ml

Peso (sin acumulador ni protector de espada)	3,81 Kg	3,86 Kg	
Nivel de potencia acústica ponderado L_{WA}	96,73 dB(A) $K_{WA}=2,5$ dB(A)	96,4 dB(A) $K_{WA}=2,5$ dB(A)	
Nivel de presión acústica medido a la altura del oído del usuario (L_{PA})	85,73 dB(A) $K_{PA}=2,5$ dB(A)	85,4 dB(A) $K_{PA}=2,5$ dB(A)	
Nivel de potencia acústica garantizado (L_{WA}) (según 2000/14/CE)	100 dB(A)	99 dB(A)	
Nivel de vibraciones (a_h)	Empuñadura trasera	5,373 m/s ² $K=1,5$ m/s ²	3,222 m/s ² $K=1,5$ m/s ²
	Empuñadura delantera	4,146 m/s ² $K=1,5$ m/s ²	3,081 m/s ² $K=1,5$ m/s ²

ES

- El nivel total de vibraciones especificado ha sido medido conforme al método de prueba estándar empleado en la industria y puede utilizarse para efectuar comparaciones entre herramientas.
- Asimismo, el nivel total de vibraciones declarado podrá utilizarse para efectuar una evaluación preliminar de la exposición del usuario a los niveles de vibración generados por la herramienta.

AVISO: Las vibraciones generadas durante el uso real de la herramienta eléctrica podrán diferir del valor declarado en función de la manera en que se utilice. A modo de protección, el usuario deberá utilizar guantes y protectores auditivos en condiciones reales de uso.

LISTA DE EMBALAJE

DENOMINACIÓN DE LA PIEZA	CANTIDAD
Cabezal de la motosierra	1
Cadena	1
Espada	1
Protector de espada	1
Manual del usuario	1

DESCRIPCIÓN

FAMILIARÍCESE CON SU MOTOSIERRA (fig. A)

1. Gatillo interruptor
2. Botón de desbloqueo del interruptor
3. Botón de liberación del acumulador
4. Tapón del depósito de aceite
5. Mirilla de nivel de aceite

6. Cadena
7. Espada
8. Seguro
9. Mecanismo de expulsión
10. Contactos eléctricos
11. Palanca del freno de cadena/guarda de protección de mano
12. Perilla de tensado de la cadena
13. Empuñadura delantera
14. Empuñadura trasera
15. Tornillo de tensión de la cadena
16. Tapa lateral
17. Perilla de fijación de la tapa lateral
18. Protector de espada
19. Orificio de lubricación
20. Piñón en la punta de la espada

AVISO: La palanca del freno de cadena/guarda de protección de mano sirve de palanca para activar el freno de cadena. Asimismo, proporciona protección contra proyecciones de ramas y contribuye a evitar que la mano izquierda del usuario llegue a tocar la cadena en caso de resbalar de la empuñadura delantera.

MONTAJE

⚠ ADVERTENCIA: Si alguna pieza falta o está rota, no utilice el producto hasta haber sustituido las piezas rotas o instalado las que faltan. Podrían producirse lesiones físicas graves en caso de utilizar el producto si alguna de sus piezas falta o está dañada.

⚠ ADVERTENCIA: No intente modificar esta herramienta en modo alguno ni fabricar accesorios no recomendados para el uso con esta motosierra. Cualquier alteración o modificación se considerará uso indebido y podría provocar una situación peligrosa con riesgo de sufrir lesiones graves.

⚠ ADVERTENCIA: Para evitar cualquier puesta en marcha accidental que pudiera causar lesiones físicas graves, asegúrese siempre de retirar el acumulador de la herramienta antes de proceder al montaje de cualquier pieza.

MONTAJE Y SUSTITUCIÓN DE LA ESPADA Y LA CADENA

⚠ ADVERTENCIA: Utilice siempre guantes cuando manipule la espada o cadena, ya que estos elementos están muy afilados y podrían tener rebabas.

1. Ponga de lado el cabezal de la motosierra, con la tapa lateral hacia arriba (fig. H).
2. Gire la perilla de fijación en sentido contrario al de las agujas del reloj para quitar la tapa lateral, y a continuación afloje todo lo posible la perilla de tensado de la cadena.
3. Coloque la nueva cadena cerrada de motosierra sobre una superficie plana y enderece cualquier doblez (fig. I).
4. Coloque los eslabones de arrastre de la cadena en el carril de la espada, y haga un bucle con la cadena en la parte trasera de la espada (fig. J).
5. Sujete la cadena en su sitio en la espada y pase el bucle alrededor del piñón de arrastre del cabezal de la motosierra.
6. Deslice la ranura de la espada sobre las bridas de alineación, hasta que el pasador de ajuste de la tensión esté insertado en el orificio inferior de la cola de la espada (fig. L1).
7. Vuelva a colocar la tapa lateral y apriete ligeramente su perilla de sujeción.
8. Levante la punta de la espada para comprobar que ninguna parte de la cadena esté holgada (fig. K). Suelte la punta de la espada y gire la perilla de tensado de la cadena en el sentido de las agujas del reloj. Repita este proceso hasta eliminar la holgura.
9. Apriete firmemente la perilla de fijación de la tapa lateral para asegurarse de que la cadena esté bien tensada antes de usarla.

Fig. J y L, ver abajo la descripción de las piezas:

J-1	Eslabones de arrastre de la cadena	L-2	Pasador de ajuste de la tensión
J-2	Carril de la espada	L-3	Ranura de la espada
L-1	Brida de alineación	L-4	Piñón

AVISO: Para prolongar la vida útil de la espada, gírela de vez en cuando.

AVISO: Si la cadena está demasiado tensada, no girará. Afloje ligeramente la perilla de fijación de la tapa lateral y gire la perilla de tensado de la cadena una vuelta de derecha a izquierda. Mantenga levantada la punta de la espada y vuelva a apretar bien la perilla de fijación de la tapa lateral. Asegúrese de que la cadena gire en la espada sin atorarse.

CÓMO AJUSTAR LA TENSIÓN DE LA CADENA

- Pare el motor y retire el acumulador antes de ajustar la tensión de la cadena. Asegúrese de aflojar la perilla de fijación de la tapa lateral. Gire la perilla de tensado de la cadena en el sentido de las agujas del reloj para tensar la cadena. Consulte el apartado: "MONTAJE Y SUSTITUCIÓN DE LA ESPADA Y LA CADENA" para obtener información adicional.
- Una cadena fría estará correctamente tensada cuando no haya holgura en la parte inferior de la espada y la cadena quede ajustada en el carril, pero pueda seguir girándose a mano sin atorarse. La cadena debe volver a tensarse cada vez que las caras planas de los eslabones de arrastre no se asienten en el carril de la espada.
- La cadena se calentará durante la utilización normal de la motosierra. Los eslabones de una cadena caliente correctamente tensada colgarán aproximadamente 1,3 mm del carril de la espada (fig. M).

AVISO: Las nuevas cadenas tienden a estirarse al cabo de cierto tiempo, compruebe la tensión de la cadena con frecuencia y ténsela de ser necesario.

AVISO: Tensar una cadena mientras está caliente puede hacer que quede demasiado tensada una vez que se haya enfriado. Compruebe la tensión en frío antes de su próxima utilización.

UTILIZACIÓN

⚠ ADVERTENCIA: No permita que la confianza que supone el hecho de estar familiarizado con el producto dé lugar a descuidos. Recuerde que cualquier distracción de una fracción de segundos es suficiente para sufrir o provocar lesiones graves.

⚠ ADVERTENCIA: Utilice siempre gafas de seguridad con pantallas de protección lateral. De lo contrario, los objetos despedidos por la acción de la herramienta podrían alcanzar sus ojos y provocar lesiones graves oculares o de otro tipo.

⚠ ADVERTENCIA: No utilice piezas o accesorios que no hayan sido recomendados por el fabricante de este producto. La utilización de piezas o accesorios no recomendados por el fabricante podría resultar en lesiones físicas graves.

⚠ ADVERTENCIA: Para evitar cualquier puesta en marcha accidental que pudiera causar lesiones físicas graves, asegúrese siempre de retirar el acumulador de la herramienta antes de proceder al montaje de cualquier pieza, de hacer ajustes o de limpiar la herramienta, así como cuando no la utilice.

Antes de cada utilización, examine la totalidad del producto a fin de determinar la posible existencia de piezas dañadas, extraviadas o sueltas, tales como tornillos, tuercas, pernos, tapones, etc. Apriete bien todos los tornillos, fijaciones y tapones según sea necesario y no utilice el producto hasta haber sustituido las piezas dañadas o instalado las que faltan.

UTILIZACIÓN PREVISTA DE LA HERRAMIENTA

Podrá utilizar este producto para operaciones básicas de la tala, derrame, poda, corte de leña y árboles.

AVISO: La herramienta debe utilizarse únicamente para el fin previsto. Cualquier otro uso se considerará uso indebido.

RELLENO DEL LUBRICANTE PARA ESPADA Y CADENA

⚠ ADVERTENCIA: No fume ni acerque llamas vivas ni chispas cerca del aceite o la motosierra. El aceite podría derramarse y provocar un incendio.

AVISO: La motosierra no se suministra rellena de aceite. Será esencial rellenar de aceite el depósito antes de proceder a utilizarla. La cadena se lubrica de forma automática con aceite para cadenas durante el funcionamiento de la motosierra.

1. Coloque la motosierra de lado con el tapón del depósito de aceite hacia arriba.
2. Limpie el tapón y el área que lo rodea, y gírelo en el sentido contrario al de las agujas del reloj para quitarlo (fig. N).
3. Con cuidado, eche en el depósito aceite diseñado específicamente, hasta llegar a la parte de abajo del cuello del filtro.
4. Limpie con un paño el exceso de aceite y vuelva a poner el tapón.

AVISO: En posición vertical, el aceite debería llenar la mirilla del nivel de aceite. Cuando ya no se vea el aceite en la mirilla, deje de usar la herramienta inmediatamente y rellene el aceite.

CONEXIÓN/DESCONEXIÓN DEL ACUMULADOR

Recargue totalmente el acumulador antes de usarlo.

Conexión (fig. O)

Alinee las nervaduras del acumulador con las ranuras de montaje, e introduzca el acumulador presionándolo hacia abajo hasta oír un "clic".

Desconexión (fig. P)

Pulse el botón de liberación del acumulador y saque el acumulador.

ES

PUESTA EN MARCHA/PARADA DE LA MOTOSIERRA

AVISO: Antes de poner en marcha la motosierra, compruebe el nivel de aceite, el afilado de los dientes de la cadena y el funcionamiento correcto del freno de cadena/guarda de protección de mano. Además, debe mantener un buen equilibrio de los pies y una distancia al suelo adecuada.

Puesta en marcha

ES

1. Tire de la palanca del freno de cadena/guarda de protección de mano hacia la empuñadura delantera, hasta su posición de uso normal (fig. G).
2. Sujete firmemente las empuñaduras delantera y trasera con ambas manos.
3. Presione primero el botón de desbloqueo del interruptor y, a continuación, apriete el gatillo interruptor para arrancar (fig. Q). Suelte el botón de desbloqueo y continúe apretando el gatillo interruptor para seguir utilizando la motosierra de manera continua.

⚠ ADVERTENCIA: No intente poner en marcha la motosierra si la cadena está insertada en un corte.

Parada

1. Suelte el gatillo interruptor.
2. Empuje la palanca del freno de cadena/guarda de protección de mano hacia adelante hasta su posición accionada para activar el freno de cadena (fig. G).

⚠ ADVERTENCIA: Asegúrese siempre de retirar el acumulador de la motosierra durante cualquier de trabajo y cuando haya finalizado la tarea.

Sujete firmemente las empuñaduras (fig. E)

- Utilice guantes antideslizantes para un mayor agarre y protección.
- Con la motosierra colocada sobre una superficie firme y plana, sujétela firmemente con ambas manos.
- Sujete siempre la empuñadura delantera con la mano izquierda y empuñadura trasera con la derecha.
- Los dedos deberán envolver la empuñadura, con el pulgar replegado debajo de la empuñadura delantera.

⚠ ADVERTENCIA: Nunca sujete la motosierra con las manos colocadas al revés de lo indicado (como si fuera zurdo) ni en cualquier otra postura que pudiera colocar su cuerpo o brazo en la trayectoria de la línea de corte de la cadena (fig. R).

Postura adecuada para cortar (fig. S)

- Ambos pies deberán estar bien apoyados en suelo firme, con el peso repartido uniformemente entre ellos.

- El brazo izquierdo deberá estar extendido, con el codo bloqueado en posición. Esta postura contribuirá a contrarrestar las fuerzas generadas por el retroceso.
- Su cuerpo deberá quedar siempre a la izquierda de la línea de corte de la cadena.

INSTRUCCIONES RELATIVAS A LAS TÉCNICAS BÁSICAS ADECUADAS PARA TALA, DESRAME Y TROZADA

⚠ ADVERTENCIA: Asegúrese siempre de mantener un buen equilibrio y sostener la motosierra firmemente con ambas manos mientras su motor esté en marcha.

⚠ ADVERTENCIA: Si la cadena se detiene porque se queda trabada durante el corte, suelte el gatillo interruptor, y saque la espada y la cadena de la ranura de corte antes de volver a poner en marcha la motosierra.

⚠ ADVERTENCIA: No tire de la cadena con la mano cuando esté bloqueada con aserrín. Podrían producirse lesiones graves si la motosierra llegara a ponerse en marcha de manera fortuita. Presione la cadena contra la madera y desplace la motosierra hacia adelante y hacia atrás para descargar cualquier acumulación de residuos. Retire siempre el acumulador antes de proceder a limpiar la herramienta. Utilice guantes gruesos de protección cuando manipule la cadena.

⚠ ADVERTENCIA: Nunca ponga en marcha la motosierra mientras está en contacto con la madera. Espere siempre a que la motosierra alcance sus revoluciones máximas antes de acercarse a la cadena a la madera.

Tala de árboles

- Cuando las operaciones de tala y fragmentación se lleven a cabo entre dos o más personas de forma simultánea, la operación de tala deberá efectuarse alejada de la operación de fragmentación, a una distancia equivalente a al menos dos veces la altura del árbol que se está talando. Los árboles no deberán talarse de manera que puedan suponer un peligro para cualquier persona, lleguen a golpear un cable eléctrico, causar daños a viviendas o materiales. Si el árbol llegara a tocar cables del tendido eléctrico, deberá avisarse inmediatamente a la correspondiente empresa de distribución eléctrica.
- Al talar un árbol en terreno inclinado, el usuario de la motosierra deberá situarse en la zona más elevada de la pendiente, ya que el árbol tenderá a rodar o deslizarse cuesta abajo una vez talado.
- Hay que prever una ruta de escape y despejarla en caso necesario antes de empezar a cortar. La ruta de escape deberá prolongarse hacia atrás y en diagonal con respecto a la línea de caída prevista, como se muestra en la fig. T.

- Antes de iniciar la tala, tenga en cuenta la inclinación natural del árbol, la ubicación de las ramas más grandes y la dirección del viento a fin de determinar la manera en que el árbol va a caer.
- Quite la suciedad, las piedras, la corteza suelta, los clavos, grapas y alambres que pueda haber en el árbol.

Corte direccional

Haga el corte direccional hasta una profundidad de 1/3 del diámetro del árbol y perpendicular a la dirección de caída según se muestra en la fig. U. Haga primero el corte de direccional horizontal inferior. Esto ayudará a evitar que la cadena o espada se traben en el corte al efectuar el segundo corte.

Corte de tala

- Haga el corte de tala al menos 50 mm más alto que el corte direccional horizontal, como se muestra en la fig. U. Mantenga el corte de tala paralelo con respecto al corte direccional horizontal. Haga el corte de tala a una profundidad tal que quede suficiente madera para actuar a modo de bisagra. La madera de la bisagra sujetará el árbol evitando que se tuerza y caiga en la dirección equivocada. No corte a través de la bisagra.
- A medida que el corte de tala se acerca a la bisagra, el árbol deberá iniciar su caída. Si hay alguna posibilidad de que el árbol no vaya a caer en la dirección deseada o pueda inclinarse hacia atrás y trabar la cadena, interrumpa el corte de tala antes de completarlo y utilice cuñas de derribo de madera, plástico o aluminio para abrir el corte y obligar a que el árbol caiga a lo largo de la trayectoria de caída deseada.
- Cuando el árbol comience a caer, retire la motosierra del corte, apague el motor, deposite la motosierra en el suelo y utilice la ruta de escape prevista. Está atento a las ramas que puedan caer y procure mantener su equilibrio.

Fig. T y U, ver abajo la descripción de las piezas:

T-1	Dirección de tala	U-2	Corte direccional
T-2	Ruta de escape de seguridad	U-3	Corte de tala
U-1	Dirección de caída	U-4	Bisagra

Desrame de árboles

El desrame consiste en eliminar las ramas un árbol caído. Cuando lleve a cabo el desrame, deje las ramas inferiores más gruesas, de manera que soporten al tronco y no esté descansando sobre el suelo. Retire las ramas más pequeñas de una sola pasada, tal como se muestra en la fig. V. Las ramas que están en tensión deberán cortarse de abajo hacia arriba para evitar que la motosierra se trabe en el corte efectuado.

Fragmentación de troncos

- La fragmentación de troncos consiste en cortar un árbol ya derribado en tramos más cortos. Es importante asegurarse de mantener un buen equilibrio y de repartir el peso uniformemente entre ambos pies. Cuando sea posible, deberá elevarse el tronco y apoyarlo sobre ramas, tocones o calzos. Siga las instrucciones básicas indicadas a continuación para efectuar cortes de manera fácil.
- Cuando el tronco esté apoyado en toda su longitud, como se muestra en la fig. W1, deberá cortarse desde arriba (fragmentación por arriba).
- Sin embargo, cuando el tronco esté apoyado únicamente en un extremo, como se muestra en la fig. W2, corte desde la parte inferior (fragmentación por abajo) hasta una profundidad de 1/3 de su diámetro. Finalice efectuando un corte desde arriba hasta alcanzar el primer corte.
- Cuando el tronco esté apoyado en ambos extremos, como se muestra en la fig. W3, corte desde la parte superior (fragmentación por arriba) hasta una profundidad de 1/3 de su diámetro. Finalice, efectuando un corte desde abajo hasta una profundidad de 2/3 del diámetro y alcanzar el primer corte.
- Al fragmentar troncos en una pendiente, colóquese siempre en el lado más elevado de esta, como se muestra en la fig. X.
- Cuando corte a través del tronco, para mantener un control total, relaje la presión de corte cerca del final de corte sin reducir la firmeza de agarre de las empuñaduras de la motosierra. No deje que la cadena llegue a tocar el suelo. Una vez completado el corte, espere a que la cadena se haya detenido antes de mover la motosierra. Apague siempre el motor antes de pasar de un árbol a otro.

ES

MANTENIMIENTO

⚠ ADVERTENCIA: Cuando efectúe reparaciones en la herramienta, utilice únicamente piezas idénticas a las originales. La utilización de piezas diferentes o no homologadas podría suponer un peligro o causar daños en el producto.

⚠ ADVERTENCIA: Póngase siempre guantes de protección para realizar cualquier tarea de mantenimiento en la motosierra.

⚠ ADVERTENCIA: Para evitar lesiones físicas graves, asegúrese siempre de retirar el acumulador de la motosierra antes de proceder a examinarla, limpiarla o llevar a cabo cualquier tarea de mantenimiento. Una herramienta eléctrica a batería que tenga instalado el acumulador siempre estará bajo tensión y podrá ponerse en marcha accidentalmente.

⚠ ADVERTENCIA: Al limpiar la motosierra, NO la sumerja en agua ni en ningún otro líquido.

⚠ ADVERTENCIA: No permita en ningún momento que líquido de frenos, gasolina, productos derivados del petróleo, aceites penetrantes, etc., entren en contacto con las piezas de plástico de la herramienta. Los productos químicos podrían dañar, debilitar o destruir el plástico, con el consiguiente riesgo de provocar lesiones físicas graves.

ES

LIMPIEZA

- Después de cada uso, limpie cualquier residuo o acumulación de material de la cadena y la espada utilizando un cepillo suave. Limpie la superficie de la motosierra con un paño limpio, humedecido con una solución de agua y detergente suave.
- Retire la tapa lateral y, a continuación, utilice un cepillo suave para eliminar residuos y acumulaciones de material de la espada, la cadena, el piñón y la tapa lateral.
- Limpie siempre el carril de la espada de cualquier acumulación de virutas de madera, aserrín y suciedad cuando proceda a sustituir la cadena.

SUSTITUCIÓN DE LA ESPADA Y LA CADENA

⚠ ADVERTENCIA: Nunca toque ni ajuste la cadena con el motor en marcha. La cadena está muy afilada.

AVISO: Cuando sustituya la espada y la cadena, utilice siempre la combinación específica de estos elementos indicada en el manual.

Desmontaje de una espada y cadena desgastadas (fig. Y)

1. Retire el acumulador, espere a que la motosierra se haya enfriado y apriete el tapón del depósito de aceite.
2. Ponga de lado la motosierra, con la tapa lateral hacia arriba.
3. Utilice guantes. Retire la tapa lateral girando la perilla de fijación en sentido contrario al de las agujas del reloj. Limpie la tapa lateral con un paño seco.

AVISO: Esta será una buena ocasión para examinar el piñón de arrastre por si presentase daño o desgaste excesivo.

Ensamblaje de la nueva espada y cadena

Siga las instrucciones del apartado titulado “**MONTAJE Y SUSTITUCIÓN DE LA ESPADA Y LA CADENA**” del presente manual.

Tensado de la cadena

Siga las instrucciones del apartado titulado “**CÓMO AJUSTAR LA TENSIÓN DE LA CADENA**” del presente manual.

MANTENIMIENTO DE LA CADENA

⚠ ADVERTENCIA: Utilice siempre guantes cuando manipule la cadena de la motosierra, ya que incorpora elementos que están muy afilados y podrían tener rebabas.

Utilice únicamente cadenas de bajo retroceso en esta motosierra. Esta cadena de corte rápido provocará menos retrocesos si se mantiene correctamente.

Una cadena de motosierra correctamente afilada cortará a través de madera sin esfuerzo, incluso ejerciendo una presión mínima.

Nunca utilice una cadena embotada o dañada. Unos dientes de corte de cadena embotados requerirán mayor esfuerzo para cortar por parte del usuario, además de generar más vibraciones y proporcionar unos resultados de corte poco satisfactorios, y serán más propensos a sufrir desgaste.

Para poder cortar con suavidad y rapidez, la cadena deberá mantenerse como es debido. Será necesario afilar la cadena cuando las virutas de madera producidas sean pequeñas y de una consistencia polvorosa, cuando sea necesario un gran esfuerzo para hacer que la cadena penetre a través de la madera durante el corte, o bien si la cadena corta hacia un lado. A llevar a cabo el mantenimiento en su cadena, considere lo siguiente:

- Un ángulo de afilado incorrecto de las placas laterales de los dientes podrá aumentar los riesgos de fuerte retroceso.
- Altura de los dientes de arrastre (limitadores de profundidad). Si es demasiado baja, aumentará la posibilidad de retroceso. De no ser lo suficiente baja, disminuirá la capacidad de corte.
- Si los dientes de corte han golpeado objetos duros, tales como clavos y piedras, o bien han sufrido desgaste debido a fricción con lodo o arena presente en la madera, confíe el afilado de la cadena a personal técnico cualificado.

AVISO: Al sustituir la cadena, examine el piñón de arrastre por si presentase desgaste o daños. De observarse indicios de daño o desgaste en las zonas indicadas, confíe la sustitución del piñón de arrastre a personal técnico cualificado.

MANTENIMIENTO DE LA ESPADA

Cuando la espada muestre indicios de desgaste excesivo, invierta su posición en la motosierra para así repartir el desgaste y prolongar la vida útil de la espada. La espada deberá limpiarse tras cada día de utilización y examinarse por si presentase desgaste o daños. Los rebordes o rebabas presentes en el carril de la espada son un proceso normal de desgaste de la espada. Dichas anomalías deberán alisarse con una lima tan pronto como se produzcan. Una espada que muestre cualquiera de las siguientes anomalías deberá sustituirse.

- Desgaste en el carril de la espada que permite a la cadena acostarse hacia los lados.
- Espada doblada o deformada.
- Carril con grietas o roturas.
- Carril ensanchado.

Además, la espada tiene un piñón en la punta (fig. A-20). El piñón deberá lubricarse semanalmente utilizando una jeringa o pistola de engrase para así prolongar la vida útil de la espada. Utilice una jeringa o pistola de engrase para lubricar semanalmente el piñón con aceite para cadenas a través del orificio de lubricación (fig. A-19). Gire la espada y compruebe que los orificios de lubricación y el carril de la cadena están libres de impurezas.

TRANSPORTE Y ALMACENAMIENTO

- No almacene ni transporte la motosierra mientras está funcionando. Retire siempre el acumulador antes de guardar o transportar la herramienta.
- Coloque siempre el protector de espada antes de guardar o transportar la motosierra, para proteger de daños la cadena y la espada. Tenga cuidado para evitar cortarse con los dientes de la cadena, ya que están muy afilados.
- Limpie a fondo la motosierra antes de guardarla. Guarde la motosierra en interiores, en un lugar seco, cerrado bajo llave o inaccesible para los niños.
- Manténgala apartada de agentes corrosivos tales como productos químicos de jardinería y sal para deshielo.

Protección del medio ambiente



¡No elimine aparatos eléctricos, cargadores de baterías, acumuladores recargables o baterías junto con los desperdicios domésticos!

Tanto la Directiva europea 2012/19/UE sobre la eliminación de aparatos eléctricos y electrónicos inservibles como la Directiva europea 2006/66/CE sobre la eliminación de baterías o acumuladores defectuosos o agotados estipulan que dichos elementos deben ser objeto de una recogida selectiva.

Si los aparatos eléctricos acabaran tirándose a vertederos o basureros, podrían desprender sustancias perjudiciales que llegarían a contaminar las capas freáticas y entrar en la cadena alimenticia, con el consecuente peligro para la salud y calidad de vida humana.

DECLARACIÓN DE CONFORMIDAD CE

Nosotros, CHERVON EUROPE LTD.

47 CASTLE STREET, READING, RG1 7SR, UNITED KINGDOM declaramos que el producto motosierra inalámbrica de **56 V con acumulador de ion de litio CS1400E/CS1600E** cumple los requisitos esenciales sobre salud y seguridad de las directivas siguientes:

2006/42/CE, 2004/108/CE, 2011/65/UE, 2000/14/CE

Normas y especificaciones técnicas consultadas:

EN 60745-1, EN 60745-2-13, EN 55014-1, EN 55014-2

	CS1400E	CS1600E
Nivel de potencia acústica ponderado:	96,73 dB(A)	96,4 dB(A)
Nivel de potencia acústica garantizado:	100 dB(A)	99 dB(A)

Peter Melrose
Vicepresidente de Chervon Europa

Dong Jianxun
Director de calidad de Chervon

* (representante autorizado de CHERVON y responsable de la documentación técnica)

01/01/2016

Nombre, dirección y número de identificación del organismo notificado:

TÜV Rheinland LGA Products GmbH; Tillystra 2 D - 90431 Nürnberg, Germany; 0197.

Número del certificado de examen CE de tipo:

BM 50326004 0001 (CS1600E)
BM 50296271 0001 (CS1400E)

ES

SOLUCIÓN DE PROBLEMAS

⚠ ADVERTENCIA: Proteja siempre sus manos utilizando guantes gruesos cuando lleve a cabo cualquier operación de mantenimiento en la cadena de la motosierra. Retire siempre el acumulador antes de guardar o transportar la motosierra.

ES

ANOMALÍA	CAUSA	SOLUCIÓN
El motor no funciona.	<ul style="list-style-type: none"> ■ El acumulador no está correctamente insertado en la motosierra. ■ No hay contacto eléctrico entre el acumulador y la motosierra. ■ El acumulador está agotado. ■ El acumulador o el circuito de la motosierra se han sobrecalentado. ■ No ha pulsado el botón de desbloqueo antes de apretar el gatillo interruptor. ■ Freno de cadena activado. ■ Cadena clavada en la madera. ■ Residuos presentes en el carril de la espada. ■ Residuos acumulados en la tapa lateral. 	<ul style="list-style-type: none"> ■ Inserte correctamente el acumulador en la motosierra. ■ Retire el acumulador, compruebe los contactos eléctricos y vuelva a instalar el acumulador en su sitio. ■ Recargue el acumulador. ■ Espere a que el acumulador o la motosierra se hayan enfriado lo suficiente hasta que su temperatura sea inferior a 67°C. ■ Mantenga pulsado el botón de desbloqueo y apriete el gatillo interruptor para poner en marcha la motosierra. ■ Tire hacia atrás de la palanca del freno de cadena/guarda de protección de mano hacia la empuñadura delantera. ■ Suelte el gatillo interruptor, retire la espada y la cadena del corte en la madera y vuelva a poner en marcha la motosierra. ■ Presione la cadena contra la madera y desplace la motosierra hacia adelante y hacia atrás para descargar cualquier acumulación de residuos. ■ Retire el acumulador y, a continuación, desmonte la tapa lateral y elimine cualquier acumulación de virutas o suciedad.
El motor funciona, pero la cadena no gira.	<ul style="list-style-type: none"> ■ La cadena no está engranada en el piñón de arrastre. 	<ul style="list-style-type: none"> ■ Vuelva a instalar la cadena, asegurándose de que los eslabones de arrastre de la cadena han engranado en los dientes del piñón.
El freno de cadena no se activa.	<ul style="list-style-type: none"> ■ Hay una acumulación de residuos o virutas que impiden que la palanca del freno de cadena/guarda de protección de mano se desplace como es debido. ■ Posible avería del freno de cadena. 	<ul style="list-style-type: none"> ■ Limpie los residuos que puedan estar presentes en el exterior del mecanismo del freno de cadena. ■ Póngase en contacto con el servicio de asistencia técnica de EGO.

ANOMALÍA	CAUSA	SOLUCIÓN
La motosierra no corta correctamente.	<ul style="list-style-type: none"> ■ Cadena destensada. ■ Cadena embotada. ■ Cadena instalada al revés. ■ Cadena desgastada. ■ Cadena seca o excesivamente estirada. ■ La cadena no está bien asentada en el carril de la espada. 	<ul style="list-style-type: none"> ■ Vuelva a ajustar la tensión de la cadena según se indica en el apartado titulado "CÓMO AJUSTAR LA TENSIÓN DE LA CADENA". ■ Afile los dientes de corte de la cadena según se indica en el apartado titulado "AFILADO DE LOS DIENTES DE CORTE". ■ Vuelva a instalar la cadena según se indica en el apartado titulado "SUSTITUCIÓN DE LA ESPADA Y LA CADENA". ■ Sustituya la cadena según se indica en el apartado titulado "SUSTITUCIÓN DE LA ESPADA Y LA CADENA". ■ Compruebe el nivel de aceite. De ser necesario, rellene el depósito de aceite. ■ Vuelva a instalar la cadena según se indica en el apartado titulado "SUSTITUCIÓN DE LA ESPADA Y LA CADENA".
La espada y la cadena se calientan y emana humo.	<ul style="list-style-type: none"> ■ Compruebe la tensión de la cadena para ver si está demasiado tensa. ■ El depósito de aceite de cadena está vacío. ■ Residuos presentes en el carril de la espada. 	<ul style="list-style-type: none"> ■ Vuelva a ajustar la tensión de la cadena según se indica en el apartado titulado "CÓMO AJUSTAR LA TENSIÓN DE LA CADENA". ■ Rellene el depósito de lubricante para espada y cadena. ■ Elimine los residuos presentes en el carril.

ES

GARANTÍA

POLÍTICA DE GARANTÍA EGO

Por favor visite nuestra página web egopowerplus.com para los términos y las condiciones completas de la política de garantía EGO



LEIA TODAS AS INSTRUÇÕES!



LEIA E COMPREENDA O MANUAL DE INSTRUÇÕES

⚠ Risco residual! As pessoas com dispositivos eletrónicos, como pacemakers, deverão consultar o seu médico antes de utilizarem este produto. A utilização de equipamento elétrico perto de um pacemaker pode causar interferências ou falhas no pacemaker.

⚠ AVISO: Para assegurar a segurança e bom funcionamento, todas as reparações e substituições deverão ser efetuadas por um técnico de reparação qualificado.

PT

SEGURANÇA

O intuito destes símbolos de segurança é chamar a sua atenção para possíveis perigos. Os símbolos de segurança e as explicações apresentadas com eles requerem a sua atenção e compreensão. Os avisos de segurança, só por eles, não eliminam o perigo. As instruções e avisos dados não são substitutos para medidas de prevenção adequadas a acidentes.

⚠ AVISO: Certifique-se de que lê e compreende todas as instruções de segurança neste manual do utilizador, incluindo todos os símbolos de alerta de segurança, como “**PERIGO**”, “**AVISO**”, e “**CUIDADO**” antes de utilizar esta ferramenta. Não seguir todas as instruções apresentadas abaixo pode resultar em choque elétrico, incêndio e/ou lesões graves.

SIGNIFICADO DOS SÍMBOLOS

SÍMBOLO DE ALERTA DE SEGURANÇA: Indica PERIGO, AVISO ou CUIDADO. Pode ser usado juntamente com outros símbolos ou imagens.

⚠ AVISO: O funcionamento de qualquer ferramenta elétrica pode dar origem ao ressalto de quaisquer objetos estranhos que podem atingir os olhos, podendo dar origem a sérias lesões oculares. Antes de começar a utilizar a ferramenta elétrica, utilize sempre óculos de segurança com proteções laterais e uma proteção completa para o rosto, quando necessário. Recomendamos a utilização de máscaras de segurança com visão panorâmica por cima dos óculos ou óculos de segurança padrão com proteção lateral.

INSTRUÇÕES DE SEGURANÇA

Esta página retrata e descreve os símbolos de segurança que podem aparecer neste produto. Leia, compreenda e siga todas as instruções na máquina antes de a tentar montar e utilizar.

62

	Alerta de segurança	Indica um potencial perigo de lesões pessoais.
	Leia o manual do utilizador	De modo a reduzir os riscos de ferimentos, o utilizador tem de ler o manual do utilizador.
	Utilize proteção ocular	Utilize sempre óculos de segurança com proteção lateral e, se necessário, uma proteção completa do rosto, quando utilizar este produto.
	Utilize proteção auditiva	Utilize sempre proteção auditiva ao utilizar este produto.
	Utilize proteção para a cabeça	Utilize proteção aprovada para a cabeça.
	Utilize luvas de proteção	Proteja as suas mãos com luvas quando manusear a serra e a motosserra. As luvas resistentes e antiderrapantes melhoram a aderência e protegem as suas mãos.
	Barra de orientação	A informação da barra de orientação.
	Tenha cuidado com os ressaltos.	Evite o contacto da barra de orientação com qualquer objeto.
	Ressalto da ponta da barra de orientação	O contacto com a ponta pode fazer com que a barra de orientação se mova de repente para cima e para trás, o que pode causar lesões sérias.
	Segure com as duas mãos.	Utilize sempre ambas as mãos quando utilizar a motosserra.
	Não exponha à chuva	Não utilizar à chuva ou deixar no exterior enquanto chove.
	CE	Este produto está em conformidade com as diretivas da CE aplicáveis.

	Ruído	Nível de potência do som garantido. Emissão de ruído para o ambiente de acordo com a Diretiva da Comunidade Europeia.
	WEEE	Os produtos de resíduos elétricos não devem ser eliminados juntamente com o lixo doméstico. Entregue-os a um agente de reciclagem autorizado.
V	Volts	Tensão
A	Amperes	Corrente
Hz	Hertz	Frequência (ciclos por segundo)
W	Watt	Potência
min	Minutos	Tempo
	Corrente alternada	Tipo de corrente
	Corrente direta	Tipo ou característica da corrente
n_0	Velocidade sem carga	Velocidade de rotação, sem carga
... /min	Por minuto	Rotações por minuto

AVISOS DE SEGURANÇA GERAIS PARA FERRAMENTAS ELÉTRICAS

⚠ AVISO: Leia todas as instruções e avisos de segurança. O incumprimento dos avisos e instruções pode dar origem a choque elétrico, incêndio e/ou lesões graves.

Guarde todos os avisos e instruções para futura referência.

O termo “ferramenta elétrica” nos avisos refere-se às suas ferramentas elétricas ligadas à corrente elétrica (com fios) ou ferramentas elétricas que funcionam com bateria (sem fios).

SEGURANÇA NA ÁREA DE TRABALHO

- **Mantenha a área de trabalho limpa e bem iluminada.** As áreas desarrumadas ou escuras convidam a acidentes.
- **Não utilize ferramentas elétricas em atmosferas explosivas, tal como na presença de líquidos inflamáveis, gasolina ou pó.** As ferramentas

elétricas geram faíscas que podem provocar a ignição dos fumos ou pó.

- **Mantenha crianças e terceiros afastados durante a utilização de uma ferramenta elétrica.** As distrações podem fazer com que perca o controle.

SEGURANÇA ELÉTRICA

- **Os adaptadores de potência de equipamento devem corresponder à tomada. Nunca modifique uma ficha de forma alguma. Não utilize adaptadores de ficha com ferramentas elétricas com ligação à terra (aterradas).** O uso de fichas não modificadas e tomadas correspondentes reduz o risco de choque elétrico.
- **Evite o contacto com superfícies com ligação à terra ou aterradas, como tubos flexíveis, radiadores, serras e refrigeradores.** Existe um risco acrescido de choque elétrico se o seu corpo estiver ligado à terra ou aterrado.
- **Não exponha a ferramenta elétrica à chuva ou a condições húmidas.** A entrada de água numa ferramenta elétrica aumentará o risco de choque elétrico.
- **Não utilize indevidamente o fio. Nunca utilize o fio para transportar, puxar ou desligar a ferramenta elétrica.** Mantenha o fio afastado do calor, óleo, arestas afiadas ou peças móveis. Um fio danificado ou emaranhado vai aumentar o risco de choque elétrico.
- **Ao colocar em funcionamento a ferramenta no exterior, utilize um fio de extensão adequado a utilização exterior.** A utilização de um fio adequado para utilização exterior reduz o risco de choque elétrico.
- **Se for inevitável trabalhar com uma ferramenta elétrica num local húmido, utilize um interruptor de circuito de falha de ligação à terra.** A utilização deste interruptor reduz o risco de choque elétrico.

PT

SEGURANÇA PESSOAL

- **Mantenha-se alerta, observe o que está a fazer e utilize o senso comum quando estiver a trabalhar com uma ferramenta elétrica. Não utilize uma ferramenta elétrica quando estiver cansado ou sob o efeito de drogas, álcool ou medicação.** Um momento de falta de atenção enquanto trabalha com ferramentas elétricas pode resultar em lesões pessoais graves.
- **Utilize equipamento de proteção individual. Utilize sempre proteção ocular.** O equipamento de proteção, como por exemplo, máscara para o pó, sapatos de segurança antiderrapantes, capacete de proteção ou proteção auditiva usado para as condições apropriadas irá reduzir os ferimentos pessoais.

- **Evite os arranques sem intenção. Certifique-se de que o interruptor se encontra na posição desligada antes de ligar à alimentação e/ou bateria e antes de pegar ou transportar a ferramenta.** Transportar ferramentas elétricas com o dedo no interruptor ou alimentar ferramentas elétricas com o interruptor na posição de ligado convida a acidentes.
- **Retire qualquer chave ou chave de ajuste antes de ligar a ferramenta elétrica.** Qualquer chave que fique fixada a uma peça rotativa da ferramenta elétrica pode resultar em ferimentos pessoais.
- **Não se estique. Mantenha sempre o apoio para os pés e o equilíbrio.** Isto permite um melhor controlo da ferramenta elétrica em situações inesperadas.
- **Vista-se adequadamente. Não utilize roupa larga ou joias. Mantenha o seu cabelo, roupa e luvas afastadas das peças móveis.** As roupas largas, joias ou cabelo comprido, podem ser apanhados pelas peças móveis.
- **Se forem fornecidos dispositivos para ligação da extração de pó e das instalações de recolha, certifique-se de que estes estão ligados e são adequadamente utilizados.** A utilização de dispositivos de recolha de pó pode reduzir os perigos relacionados com o pó.

UTILIZAÇÃO E CUIDADOS COM A FERRAMENTA ELÉTRICA

- **Não force a ferramenta elétrica. Utilize a ferramenta elétrica correta para a utilização pretendida.** A ferramenta elétrica correta fará o trabalho melhor e de forma mais segura ao ritmo para o qual foi concebida.
- **Não utilize a ferramenta elétrica se o interruptor não a ligar e desligar.** Qualquer ferramenta elétrica que não possa ser controlada com o interruptor é perigosa e deve ser reparada.
- **Desligue a ficha da alimentação e/ou da bateria da ferramenta elétrica antes de fazer quaisquer ajustes, mudar de acessórios ou armazenar a ferramenta elétrica.** Tais medidas preventivas de segurança reduzem o risco de ligar a ferramenta elétrica acidentalmente.
- **Guarde as ferramentas elétricas não utilizadas fora do alcance das crianças e não permita que pessoas não familiarizadas com a ferramenta elétrica ou com estas instruções utilizem a ferramenta elétrica.** As ferramentas elétricas são perigosas nas mãos de utilizadores sem formação.

- **Manutenção de ferramentas elétricas. Verifique desalinhamentos ou bloqueios das peças móveis, fracionamento de peças e quaisquer outras condições que possam afetar o funcionamento da ferramenta elétrica. Se danificada, repare a ferramenta elétrica antes de a utilizar.** Muitos acidentes são provocados pela fraca manutenção das ferramentas elétricas.
- **Mantenha as ferramentas de corte afiadas e limpas.** Ferramentas de corte devidamente mantidas e com arestas cortantes afiadas têm uma menor probabilidade de prender e são mais fáceis de controlar.
- **Utilize a ferramenta elétrica, acessórios e brocas, etc., de acordo com estas instruções, tendo em conta as condições de trabalho e o trabalho a ser efetuado.** A utilização da ferramenta elétrica para operações diferentes das pretendidas pode resultar numa situação perigosa.

UTILIZAÇÃO E CUIDADOS COM A BATERIA

- **Recarregue apenas com o carregador especificado pelo fabricante.** Um carregador que seja adequado para um tipo de bateria pode criar um risco de incêndio quando usado com outra bateria.
- **Utilize as ferramentas elétricas apenas com as baterias especificamente designadas.** A utilização de outras baterias pode criar um risco de ferimentos e incêndio.
- **Quando não utilizar a bateria, mantenha-a afastada de outros objetos de metal, como cliques de papel, moedas, chaves, pregos, parafusos ou outros pequenos objetos de metal que possam fazer uma ligação entre os dois terminais.** Colocar os terminais da bateria em curto-circuito pode provocar queimaduras ou um incêndio.
- **Sob condições abusivas, pode ser ejetado líquido da bateria. Evite o contacto. Se ocorrer contacto accidental, lave com água. Se o líquido entrar em contacto com os olhos, procure ajuda médica.** O líquido ejetado da bateria pode provocar irritação ou queimaduras.

MANUTENÇÃO

- **A manutenção da sua ferramenta elétrica deverá ser sempre efetuada por pessoas qualificadas, utilizando apenas peças sobressalentes idênticas.** Tal irá assegurar que a segurança da ferramenta elétrica é mantida.

AVISOS DE SEGURANÇA DA MOTOSSERRA

- **Mantenha todas as partes do corpo afastadas da corrente da serra quando a motosserra se encontra em funcionamento. Antes de ligar a motosserra, certifique-se que a corrente da serra não está em contacto com nada.** Um momento de desatenção enquanto utiliza motosserras pode fazer com que a sua roupa ou corpo fiquem presos na corrente.
- **Mantenha sempre a motosserra com a sua mão direita na pega traseira e a sua mão esquerda na pega dianteira.** Segurar a motosserra com as mãos nos locais opostos aumenta o risco de lesões pessoais e nunca deverá ser feito.
- **Segure a ferramenta elétrica apenas através das pegas, pois a corrente da serra pode entrar em contacto com fios escondidos.** O contacto das correntes da serra com um cabo “vivo” pode fazer com que as peças de metal expostas da ferramenta elétrica deem um choque elétrico ao operador.
- **Utilize óculos de segurança e proteção auditiva. É recomendada a utilização de equipamento para a cabeça, mãos, pernas e pés.** Roupa de proteção adequada reduz as lesões pessoais devido a detritos voadores ou contacto accidental com a corrente da serra.
- **Não utilize a motosserra em cima de uma árvore.** Utilizar uma motosserra em cima de uma árvore pode dar origem a lesões pessoais.
- **Mantenha sempre os pés numa base estável e utilize a motosserra apenas numa superfície nivelada, segura e fixa.** Superfícies desniveladas ou instáveis, como escadas, podem causar a perda de equilíbrio ou controlo da motosserra.
- **Quando um ramo se encontra sob tensão tenha cuidado com o ressalto.** Quando a tensão das fibras da madeira for libertada, o tronco pode bater no operador e/ou fazer com que perca o controlo da motosserra.
- **Proceda com extremo cuidado ao cortar arbustos e rebentos.** O material esguio pode ficar preso na serra e ser projetado na sua direção ou afetar o seu equilíbrio.
- **Transporte a motosserra pela pega dianteira, com o aparelho desligado e afastado do corpo. Quando transportar ou guardar a motosserra, coloque sempre a cobertura da barra de orientação.** O manuseamento adequado da motosserra reduz a probabilidade de contacto accidental com a serra em movimento.
- **Siga as instruções quanto a lubrificação, aplicação de tensão na serra e mudança de acessórios.** Uma serra mal lubrificada ou com a tensão errada pode partir ou aumentar a probabilidade de ressalto.

- **Mantenha as pegas secas, limpas e sem óleo ou gordura.** Pegas com óleo ou gordura podem provocar uma perda de controlo.
- **Apenas corte madeira. Não utilize a motosserra com outros intuitos para além daqueles para que foi criada. Por exemplo: Não utilize a motosserra para cortar plástico, alvenaria ou materiais de construção que não sejam de madeira.** A utilização da motosserra para operações diferentes das pretendidas pode resultar numa situação perigosa.

CAUSAS E PREVENÇÃO DE RESSALTOS (Imagem B, C, D e E)

O ressalto pode ocorrer quando o “nariz” ou ponta da barra de orientação toca num objeto ou quando a madeira aperta e prende a serra no corte.

O contacto da ponta em alguns casos pode provocar uma reação inversa súbita, empurrando a barra de orientação para cima e para trás em direção ao operador (Fig. B).

Prender a serra na parte superior da barra de orientação pode empurrar a barra de orientação rapidamente para trás na direção do operador (Fig. C).

Descrição do funcionamento da Fig. B e C abaixo:

B-1	Ressalto rotativo
C-1	Ressalto linear

Qualquer uma destas reações pode fazer com que perca controlo da serra, o que pode resultar em ferimentos pessoais sérios. Não dependa exclusivamente dos dispositivos de segurança incorporados na sua motosserra.

Como utilizador de motosserra, deve tomar diversas medidas para manter as suas tarefas de corte livres de acidentes ou ferimentos.

O ressalto é um resultado de uma má utilização e/ou condições ou procedimentos de funcionamento incorretos e pode ser evitado tomando as precauções adequadas conforme indicadas abaixo:

- **Segure bem a pega com os dedos a rodear as pegas da motosserra, com ambas as mãos no aparelho e colocando o seu corpo e braço de modo a resistir às forças de um ressalto (Fig. E).** Os ressaltos podem ser controlados pelo operador, se forem tomadas as devidas medidas de precaução. Não largue a motosserra.
- **Não se estique e não corte acima da altura do ombro.** Isto ajuda a evitar o contacto sem intenção da ponta e permite o melhor controlo da motosserra em situações inesperadas.

PT

- **Utilize apenas as correntes e barras de substituição especificadas pelo fabricante.** Serras e barras de substituição incorretas podem provocar quebra da corrente de serra e/ou ressalto.
- **Siga as instruções para manutenção e para afiar do fabricante para a corrente da serra.** Diminuir a altura do manómetro de profundidade pode levar a um aumento do ressalto.
- **Certifique-se de que a área onde vai cortar não tem obstruções.** Não deixe o nariz da barra de orientação entrar em contacto com um tronco, ramo ou qualquer outra obstrução enquanto estiver a utilizar a serra.
- **Corte sempre com a unidade a funcionar à velocidade máxima.** Aperte por completo o interruptor e mantenha a velocidade de corte.
- **Com um conhecimento básico do ressalto, pode reduzir ou eliminar o elemento surpresa.** Uma surpresa súbita contribui para acidentes.
- **Mantenha sempre o apoio para os pés e o equilíbrio.**
- **Empurrar e puxar** – A força de reação é sempre oposta à direção do movimento da corrente, onde é feito o contacto com a madeira. Assim, o operador tem de estar pronto para controlar o PUXAR quando cortar na extremidade inferior da barra, e EMPURRAR quando cortar ao longo da extremidade superior (Fig. F).

DISPOSITIVOS DE SEGURANÇA CONTRA RESSALTOS NESTA MOTOSSERRA

Travão da corrente

A motosserra vem equipada com um travão da corrente, que para o motor e o movimento da corrente quando ocorre um ressalto. O travão da corrente pode ser ativado pelo movimento de avanço da pega do travão de ressalto da corrente à medida que a serra roda para trás durante o ressalto. Também pode ser ativado pelas forças de inércia geradas durante um ressalto rápido.

AVISO: Nunca modifique nem tente desmontar o travão da corrente.

Certifique-se de que o travão da corrente funciona corretamente antes de utilizar a motosserra. A pega do travão do ressalto da corrente deverá mover-se facilmente para a frente e para trás.

Para testar o funcionamento do travão da corrente, efetue os seguintes passos (Fig. G):

- Coloque a motosserra numa superfície plana e certifique-se de que não existe nenhum objeto ou obstrução por perto que possa entrar em contacto com a barra e com a corrente.

- Liberte o travão da corrente puxando a pega do travão do ressalto da corrente na direção da pega dianteira.
- Ligar a motosserra.
- Empurre a pega do travão do ressalto da corrente na direção da frente da serra. Um travão manual a funcionar corretamente para imediatamente o movimento da corrente. Se o travão da corrente não funcionar corretamente, não utilize a motosserra até ser reparada por um técnico de reparação.

Descrição do funcionamento da Fig. G abaixo:

G-1	Pega do travão do ressalto da corrente na posição de funcionamento
G-2	Pega do travão do ressalto da corrente na posição de travada

AVISO: Certifique-se de que o travão da corrente funciona corretamente antes de cada utilização.

AVISO: Se o travão da corrente ficar obstruído com serradura, o funcionamento deste pode deteriorar-se. Mantenha sempre o equipamento limpo.

Corrente da serra de baixo ressalto

Os manómetros de profundidade à frente de cada cortador podem minimizar a força da reação de ressalto, evitando que os cortadores entrem demasiado na zona de ressalto. Utilize apenas uma corrente de substituição equivalente à corrente original ou que seja certificada.

CUIDADO: À medida que as correntes da serra são afiadas durante o seu tempo de vida útil, perdem algumas qualidades de ressalto baixo. Deverá por isso ter mais cuidado.

AVISOS ADICIONAIS

- **O uso de uma motosserra deve ser efetuado com duas mãos.** Utilizações só com uma mão podem resultar em ferimentos graves para o utilizador, ajudantes ou terceiros.
- **Evite o contacto sem intenção com a corrente da serra parada ou as calhas da barra de orientação.** Estas podem estar muito afiadas. Utilize sempre luvas e calças compridas ou proteções de couro quando manusear a motosserra, corrente da serra ou barra de orientação.
- **Nunca utilize a motosserra se estiver danificada, incorretamente ajustada ou montada de forma incompleta ou insegura.** Certifique-se que a corrente para de se mover quando o gatilho é libertado.
- **Inspecione a peça a ser trabalhada quanto a pregos, arames e outros objetos estranhos antes de proceder ao corte.**

- Quando cortar, fixe a peça a ser trabalhada com antecedência. Quando deitar ramos abaixo ou podar, identifique e fixe os ramos perigosos.
- Um corte agressivo ou abusivo ou má utilização da motosserra pode causar um desgaste prematuro da barra, corrente e/ou roda dentada, bem como uma quebra da corrente ou da barra, dando origem a ressaltos ou ejeção da corrente ou de outros materiais.
- Nunca utilize a barra de orientação como alavanca. Uma barra de orientação dobrada pode causar um desgaste prematuro da barra, corrente e/ou roda dentada, bem como uma quebra da corrente ou da barra, dando origem a ressaltos ou ejeção da corrente ou de outros materiais.
- Corte sempre apenas uma peça de cada vez.
- Utilize apenas com baterias EGO e carregadores.

BATERIA	CARREGADOR
BA1120E, BA2240E, BA2800, BA3360, BA4200	CH5500E, CH2100E

- Não carregue a bateria à chuva ou em condições húmidas.
- Planeie o trabalho, certificando-se de que a área de trabalho não tem obstáculos e que, no caso de queda da árvore, tem, pelo menos, um caminho de fuga da árvore em queda.
- Durante o abate de uma árvore, mantenha terceiros a, pelo menos, o dobro do tamanho da árvore de distância.
- Se ocorrerem situações que não sejam abrangidas por este manual, tenha cuidado e faça uso do bom senso. Contacte o serviço de apoio ao cliente da EGO para obter assistência.

BARRA DE ORIENTAÇÃO

Esta serra vem equipada com uma barra de orientação com um nariz com um raio pequeno. Narizes com um raio pequeno têm menos possibilidades de ressalto. Quando substituir a barra de orientação, certifique-se de que encomenda a barra listada neste manual.

GUARDE ESTAS INSTRUÇÕES!

ESPECIFICAÇÕES

Modelo	CS1400E	CS1600E
Tensão	56 V ---	56 V ---
Comprimento da barra de orientação	350 mm	400 mm
Engate da serra	9,5 mm	9,5 mm

Extremidade da corrente	1,1 mm	1,1 mm	
Tipo de corrente da serra	90PX052X (Oregon)	90PX052X (Oregon) 90PX056X (Oregon)	
Tipo de barra de orientação	144MLEA041 (Oregon)	144MLEA041 (Oregon) 164MLEA041 (Oregon)	
Capacidade do depósito do óleo da corrente	150 ml	150 ml	
Peso (sem a bateria e bainha da corrente)	3,81 Kg	3,86 Kg	
Nível de potência do som medido L_{WA}	96,73 dB(A) $K_{WA}=2,5$ dB(A)	96,4 dB(A) $K_{WA}=2,5$ dB(A)	
Nível da pressão do som no ouvido do operador L_{PA}	85,73 dB(A) $K_{PA}=2,5$ dB(A)	85,4 dB(A) $K_{PA}=2,5$ dB(A)	
Nível de potência do som garantido L_{WA} (de acordo com 2000/14/CE)	100 dB(A)	99 dB(A)	
Vibração a_h	Pega traseira	5,373 m/s ² $K=1,5$ m/s ²	3,222 m/s ² $K=1,5$ m/s ²
	Pega dianteira	4,146 m/s ² $K=1,5$ m/s ²	3,081 m/s ² $K=1,5$ m/s ²

PT

- O valor total declarado da vibração foi medido de acordo com um método de teste padrão e pode ser usado para comparar duas ferramentas;
- O valor total declarado da vibração também pode ser usado numa avaliação preliminar da exposição.

AVISO: A emissão de vibrações durante a utilização da ferramenta elétrica pode diferir do valor declarado em que a ferramenta é usada. De modo a proteger o utilizador, este deverá utilizar luvas e proteção auditiva nas condições atuais de utilização.

LISTA DE PEÇAS

NOME DA PEÇA	QUANTIDADE
Cabeça da alimentação da motosserra	1
Corrente da serra	1
Barra de orientação	1
Bainha da corrente	1
Manual do utilizador	1

DESCRIÇÃO

CONHEÇA A SUA MOTOSSERRA (Fig. A)

1. Gatilho
2. Botão de desbloqueio
3. Botão de libertação da bateria
4. Tapa do depósito do óleo
5. Janela de inspeção do óleo
6. Corrente da serra
7. Barra de orientação
8. Aba
9. Mecanismo de ejeção
10. Contactos elétricos
11. Pega do travão do ressalto da corrente
12. Manípulo de tensão da corrente
13. Pega dianteira
14. Pega traseira
15. Parafuso de tensão da corrente
16. Cobertura lateral
17. Manípulo de cobertura lateral
18. Bainha da corrente
19. Orifício de lubrificação
20. Roda dentada na ponta da barra de orientação

AVISO: A pega do travão do ressalto da corrente funciona como a alavanca para a ativação do travão da corrente. Também protege contra a projeção de ramos e ajuda a evitar que a mão esquerda toque na corrente da serra, caso escorregue da pega dianteira.

MONTAR

AVISO: Se quaisquer peças estiverem danificadas ou em falta não utilize este produto até as peças serem substituídas. Utilizar este produto com peças danificadas ou em falta pode dar origem a lesões pessoais sérias.

AVISO: Não tente modificar este produto nem criar acessórios que não sejam recomendados para utilizar com esta motosserra. Qualquer alteração ou modificação é considerada uma má utilização e pode dar origem a perigos, que podem levar a possíveis lesões pessoais sérias.

AVISO: Para evitar um arranque acidental que possa causar lesões pessoais sérias, retire sempre a bateria do produto durante a montagem das peças.

MONTAR/SUBSTITUIR A BARRA E A CORRENTE

AVISO: Utilize sempre luvas quando manusear a barra e a corrente. Estes componentes estão afiados e podem conter rebarbas.

1. Posicione a cabeça de alimentação da motosserra de lado com a cobertura lateral virada para cima (Fig. H).
2. Rode o manípulo de cobertura lateral no sentido contrário aos ponteiros do relógio para retirar a cobertura lateral e desapertar o manípulo de tensão da corrente tanto quanto possível.
3. Coloque a nova corrente da serra num arco numa superfície plana e endireite quaisquer dobras (Fig. I).
4. Coloque os elos condutores da corrente na ranhura da barra de orientação e coloque a corrente em arco na traseira da barra de orientação (Fig. J).
5. Segure a corrente em posição na barra de orientação e coloque o arco à volta da roda dentada da cabeça de alimentação.
6. Deslize a ranhura da barra de orientação sobre as flanges de alinhamento até que a cavilha de ajuste da tensão esteja inserida no orifício inferior na cauda da barra (Fig. L1).

AVISO: Existem pequenas setas direcionais gravadas na corrente da serra. Existem outras setas direcionais moldadas na estrutura. Quando passar a corrente da serra à volta da roda dentada, certifique-se de que a direção das setas na corrente da serra corresponde à direção das setas na estrutura. Se estiverem em direções opostas, vire o conjunto da corrente da serra e da barra de orientação (Fig. L2.)

7. Substitua a cobertura lateral e aperte ligeiramente o manípulo de cobertura lateral.
8. Levante a ponta da barra de orientação para verificar se existe abatimento. (Fig. K). Liberte a ponta da barra de orientação e rode o manípulo de tensão da corrente uma vez no sentido dos ponteiros do relógio. Repita este processo até eliminar o abatimento.
9. Aperte o manípulo da cobertura lateral firmemente para garantir que a corrente da serra se encontra corretamente sob tensão antes de utilizar.

Fig. L e J descrição das peças apresentada abaixo:

J-1	Elos condutores da corrente	L-2	ino de ajuste da tensão
J-2	Ranhura da barra de orientação	L-3	Ranhura da barra de orientação
L-1	Flange de alinhamento	L-4	Roda dentada

AVISO: Para aumentar o tempo de vida útil da barra de orientação, inverta-a ocasionalmente.

AVISO: Se a corrente estiver demasiado apertada esta não irá rodar. Desaperte ligeiramente o manípulo da cobertura lateral e rode o manípulo da tensão uma vez da direita para a esquerda. Levante a ponta da barra de orientação e volte a apertar bem o manípulo da cobertura lateral. Certifique-se de que a corrente roda sem prender.

AJUSTAR A TENSÃO DA CORRENTE

- Pare o motor e retire a bateria antes de ajustar a tensão da corrente. Certifique-se de que o manípulo da cobertura lateral fica solto. Rode o manípulo de tensão da corrente no sentido dos ponteiros do relógio para apertar a corrente. Para mais informações, consulte a secção: Consulte “**SUBSTITUIR A BARRA E A CORRENTE**” para obter mais informações.
- Uma serra fria tem a tensão correta quando não houver folga na parte inferior da barra de orientação, a serra estiver justa, mas conseguir girá-la à mão sem prender. A corrente tem de ser apertada novamente quando a superfície achatada nos elos condutores não assentar na ranhura da barra.
- Durante o funcionamento normal da serra, a temperatura da corrente aumenta. Os elos condutores de uma corrente quente corretamente tencionada vão ficar pendurados a cerca de 1,3 mm fora da ranhura da barra (Fig. M).

AVISO: Correntes novas têm tendência a esticar. Verifique frequentemente a tensão da corrente e aperte sempre que necessário.

AVISO: Apertar uma serra enquanto esta estiver quente pode deixá-la demasiado apertada quando arrefecer. Verifique a “tensão a frio” antes da utilização seguinte.

FUNCIONAMENTO

AVISO: Não deixe que a sua familiaridade com o produto o torne descuidado. Lembre-se, uma fração de segundo de desatenção é suficiente para infligir ferimentos graves.

AVISO: Utilize sempre proteções oculares com escudos laterais. O não cumprimento pode resultar na projeção de objetos para os olhos e outros possíveis ferimentos graves.

AVISO: Não utilize quaisquer ligações ou acessórios não recomendados pelo fabricante deste produto. O uso de ligações ou acessórios não recomendados pode resultar em ferimentos pessoais graves.

AVISO: Para evitar a ligação acidental que pode provocar ferimentos pessoais graves, retire sempre a bateria da ferramenta quando montar as peças, fizer ajustes, proceder à limpeza ou quando não em uso.

Antes de cada utilização, verifique se há peças soltas, danificadas ou em falta, tais como parafusos, porcas, tampões, etc. Aperte bem todos os fixadores e tampões e não utilize este produto, sem substituir primeiro todas as peças danificadas ou em falta.

APLICAÇÃO

Pode utilizar este produto para um abate, corte, poda e o serrar de madeira e árvores.

AVISO: A ferramenta só deve ser utilizada para o seu propósito destinado. Qualquer outra utilização será considerada má utilização.

ADICIONAR LUBRIFICANTE À BARRA E À SERRA

AVISO: Não fume nem aproxime chamas do óleo ou da motosserra. O óleo pode ser derramado e causar um incêndio.

AVISO: A motosserra não vem com óleo na altura da compra. É essencial abastecer o depósito com óleo antes da utilização. A corrente é lubrificada automaticamente com óleo da corrente durante o funcionamento.

1. Posicione a motosserra de lado com a tampa do depósito de óleo virada (Fig. H).
2. Limpe a tampa e a área em volta da mesma e, em seguida, rode-a na direção contrária ao sentido dos ponteiros do relógio para a retirar (Fig. N).
3. Verta cuidadosamente o óleo especialmente designado no depósito até este chegar ao fundo do pescoço do filtro.
4. Limpe qualquer óleo em excesso e substitua a tampa.

AVISO: Em posição vertical o óleo deve encher a janela de inspeção. Quando o óleo já não for visível na janela de inspeção pare imediatamente e reabasteça.

FIXAR/RETIRAR A BATERIA

Carregue por completo antes da primeira utilização.

Para fixar (Fig. O)

Alinhe as abas da bateria com as ranhuras de fixação e empurre a bateria para baixo até ouvir um “clique”.

Para retirar (Fig. P)

Prima o botão de libertação da bateria e puxe a bateria para fora.

LIGAR/DESLIGAR A MOTOSSERRA

AVISO: Antes de ligar a motosserra, verifique o nível do óleo, se os dentes da serra estão afiados e se a pega do travão de ressalto está a funcionar corretamente. Adicionalmente, é necessário manter a distância correta do solo e uma base estável.

Para ligar

1. Puxe a pega do travão do ressalto da corrente na direção da pega dianteira para a posição de funcionamento (Fig. G).

PT

2. Segure firmemente as pegas dianteira e traseira usando ambas as mãos.
3. Prima primeiro o botão de desbloqueio e, em seguida, aperte o gatilho para ligar (Fig. Q) Liberte o botão de desbloqueio e continue a premir o gatilho para uma utilização prolongada.

AVISO: Não tente ligar a motosserra quando a corrente da serra estiver num corte.

Para parar

1. Liberte o gatilho.
2. Empurre a pega do travão do ressalto da corrente para a frente para a posição de travagem para ativar o travão da corrente (Fig. G).

AVISO: Retire sempre a bateria da motosserra durante pausas de trabalho e após terminar o trabalho.

Forma correta de segurar nas pegas (Fig. E)

- Utilize luvas antiderrapantes para obter a máxima aderência e proteção.
- Com a serra numa superfície firme e plana, segure firmemente a serra com ambas as mãos.
- Segure sempre a pega dianteira com a mão esquerda e a pega traseira com a mão direita.
- Os dedos deverão rodear a pega, com o polegar por baixo da pega dianteira.

AVISO: Nunca utilize uma pega para canhotos (mãos cruzadas) nem nunca coloque o seu corpo ou braço através da linha da corrente (Fig. R).

Postura adequada para corte (Fig. S)

- Ambos os pés deverão estar em chão sólido, com o peso dividido uniformemente entre eles.
- O braço esquerdo deverá estar esticado, com o cotovelo apertado. Isto ajuda a aguentar as forças geradas pelo ressalto.
- O seu corpo deverá estar sempre do lado esquerdo da linha da corrente.

INSTRUÇÕES RELACIONADAS COM AS TÉCNICAS CORRETAS PARA CORTE-CRUZADO, CORTE DE RAMOS E ABATE BÁSICO

AVISO: Certifique-se sempre de que está estável e segure firmemente a motosserra com ambas as mãos quando o motor estiver a funcionar.

AVISO: Quando a corrente da serra parar por ter ficado presa durante o corte, deixe de premir o interruptor do gatilho. Retire a corrente da serra e a barra de

orientação da madeira e volte a ligar a motosserra.

AVISO: Não puxe a corrente da serra com a mão quando estiver presa pela serradura. Podem ocorrer lesões sérias se a motosserra se ligar acidentalmente. Pressione a corrente da serra contra a madeira, mova-a para a frente e para trás para retirar os resíduos. Retire sempre a bateria antes de proceder à limpeza. Utilize luvas de proteção resistentes quando montar a corrente da serra.

AVISO: Nunca ligue a motosserra quando estiver em contacto com a madeira. Deixe a motosserra atingir a velocidade máxima antes de entrar em contacto com a madeira.

Abate de uma árvore

- Quando operações de corte e abate estão a ser desempenhadas por duas ou mais pessoas ao mesmo tempo, a operação de abate deve ser separada da operação de corte por uma distância de pelo menos o dobro da altura da árvore para abate. As árvores não devem ser abatidas de um modo que possa colocar em perigo qualquer pessoa, embater em qualquer linha de fornecimento ou provocar danos a propriedade. Se a árvore entrar em contacto com linhas de fornecimento, a empresa de fornecimento deverá ser notificada imediatamente.
- O operador da motosserra deverá manter-se do lado superior do terreno, pois é provável que a árvore role pela colina abaixo mal seja cortada.
- Um caminho de fuga deve ser planeado e desimpedido conforme necessário antes de começar os cortes. O caminho de fuga deverá estender-se para trás e na diagonal para trás da linha esperada do abate conforme a Fig. T apresenta.
- Antes de iniciar o abate, considere a inclinação natural da árvore, a localização dos ramos de maior dimensão e a direção do vento para avaliar de que forma a árvore vai cair.
- Retire detritos, pedras, casca solta, pregos, agrafes e fio da árvore

Corte de entalhe inferior

Faça o entalhe 1/3 do diâmetro da árvore, perpendicular à direção da queda, conforme indicado na Fig. U. Faça o corte de entalhe inferior horizontal primeiro. Isto ajuda a evitar que a corrente da serra ou a barra de orientação fiquem presas quando efetuar o segundo entalhe.

Corte traseiro de abate

- Faça o corte traseiro de abate a pelo menos 50 mm acima do corte de entalhe horizontal como apresentado na Fig. U. Mantenha o corte traseiro de abate paralelo ao corte de entalhe horizontal. Faça o corte traseiro de queda de modo a deixar madeira suficiente para agir como articulação. A madeira da articulação impede que a árvore se torça e caia na direção errada. Não corte através da circulação.

- À medida que o abate se aproxima da articulação a árvore deve começar a cair. Se houver a possibilidade da árvore não cair na direção desejada ou oscilar para trás e prender a motosserra, pare o corte antes de terminar o corte traseiro de queda e utilize calços de madeira, plástico ou alumínio para abrir o corte e fazer a árvore cair ao longo da linha desejada de queda.
- Quando a árvore começa a cair, retire a motosserra do corte, pare o motor, coloque a motosserra no chão e utilize o caminho de fuga, conforme planejado. Esteja atento a ramos por cima de si que estejam a cair, e mantenha uma base estável para os pés.

Fig. T e U descrição das peças apresentada abaixo:

T-1	Direção do abate	U-2	Entalhe
T-2	Caminho seguro de fuga	U-3	Corte traseiro de abate
U-1	Direção da queda	U-4	Articulação

Corte de ramos de uma árvore

Os ramos da árvore abatida deverão ser cortados. Ao cortar os ramos deixe os ramos inferiores de maiores dimensões para suportar o tronco no chão. Retire os ramos pequenos num corte, conforme ilustrado na Fig. V. Os ramos sob tensão devem ser cortados de cima para baixo para evitar prender a motosserra.

Cortar um tronco

- Um tronco deverá ser cortado em pedaços. É importante certificar-se de que possui um bom apoio para os pés e que o seu peso se encontra bem distribuído em ambos os pés. Quando possível, o tronco deve estar elevado e suportado por ramos, troncos ou cunhas. Siga a direção simples para um corte fácil.
- Quando o tronco for suportado ao longo de todo o seu comprimento como ilustrado na Fig. W1, deverá ser cortado a partir do topo (corte superior).
- Quando o tronco for suportado apenas por uma extremidade, como na Fig. W2, corte 1/3 do diâmetro por baixo (corte inferior). A seguir, faça o corte final, fazendo o corte superior de encontro ao primeiro corte.
- Quando o tronco for suportado em ambas as extremidades, como na Fig. W3, corte 1/3 do diâmetro por cima (corte superior). A seguir, faça o corte final, fazendo o corte inferior 2/3 de encontro ao primeiro corte.
- Quando cortar um tronco num local inclinado, fique sempre na parte superior do tronco, como indicado na Fig. X.
- Ao cortar completamente, para manter um controlo completo liberte a pressão de corte quando perto da extremidade do corte sem deixar de segurar bem nas pegadas da motosserra. Não permita que a corrente entre em contacto com o chão. Após completar o corte, espere que a corrente da serra pare por completo antes de mover a motosserra. Pare sempre o motor antes de se mover de uma árvore para outra.

MANUTENÇÃO

AVISO: Quando fizer reparações, utilize apenas peças sobressalentes idênticas. A utilização de outras peças pode criar um perigo ou provocar danos no produto.

AVISO: Utilize sempre luvas de proteção ao efetuar qualquer manutenção à motosserra.

AVISO: Para evitar lesões pessoais sérias, retire a bateria da motosserra antes de inspecionar, limpar ou efetuar a manutenção. Uma ferramenta que funcione a bateria e que tenha a bateria inserida está sempre ligada e pode começar a funcionar acidentalmente.

AVISO: Quando limpar a motosserra, NÃO mergulhe em água ou outros líquidos.

AVISO: Nunca permita que o líquido dos travões, petróleo, produtos à base de petróleo, óleos penetrantes, etc., entrem em contacto com as peças de plástico. Os químicos podem danificar, enfraquecer ou destruir o plástico, o que pode dar origem a lesões pessoais sérias.

LIMPEZA

- Após cada utilização, limpe os resíduos da corrente e barra de orientação com uma escova suave. Limpe a superfície da motosserra com um pano limpo embebido numa solução neutra de sabão.
- Retire a cobertura lateral e depois utilize uma escova suave para retirar os resíduos da barra de orientação, corrente da serra, roda dentada e cobertura lateral.
- Limpe sempre as lascas, serradura e sujidade da ranhura da barra de orientação quando voltar a colocar a corrente da serra.

SUBSTITUIR A BARRA E A CORRENTE

AVISO: Nunca toque nem ajuste a corrente enquanto o motor estiver a funcionar. A corrente da serra é muito afiada.

AVISO: Quando substituir a barra de orientação e a corrente, utilize sempre a combinação de corrente e de barra especificada listadas no manual.

Desmontar a barra e a corrente gastas (Fig. Y)

1. Retire a bateria, deixe a serra arrefecer e aperte a tampa do depósito do óleo.
2. Posicione a motosserra de lado com a cobertura lateral virada para cima.
3. Utilize luvas. Retire a cobertura lateral rodando o manípulo de cobertura lateral no sentido inverso ao dos ponteiros do relógio. Limpe a cobertura lateral com um pano seco.

PT

AVISO: Esta é uma boa altura para inspecionar a roda dentada motriz quanto a desgaste excessivo ou danos.

Montar a nova barra e a corrente

Siga as instruções em **MONTAR/SUBSTITUIR A BARRA E A CORRENTE** neste manual.

Ajustar a tensão da corrente

Siga as instruções na secção **AJUSTAR A TENSÃO DA CORRENTE** neste manual.

MANUTENÇÃO DA CORRENTE

PT

AVISO: Utilize sempre luvas quando manusear a corrente da serra. Estes componentes estão afiados e podem conter rebarbas.

Utilize apenas correntes de ressalto baixo com esta serra. Esta corrente de corte rápido diminui os ressaltos quando devidamente mantida.

Uma corrente devidamente afiada corta madeira sem esforço, mesmo com muito pouca pressão.

Nunca utilize uma corrente da serra danificada ou que não esteja afiada. Uma corrente da serra que não esteja afiada leva a um maior esforço físico, aumenta a vibração, produz resultados de corte insatisfatórios e um aumento do desgaste.

Para um corte rápido e suave, a corrente deve ser submetida a uma manutenção correta. A corrente tem de ser afiada quando as lascas de madeira forem cada vez mais pequenas e tiverem pó, quando a corrente tiver de ser forçada para dentro da madeira durante o corte ou se a corrente cortar para um dos lados. Durante a manutenção da serra, tenha em conta o seguinte:

- Um ângulo de limagem incorreto da placa lateral pode aumentar o risco de um ressalto grave.
- Folga do manómetro de profundidade. Demasiado baixo aumenta o potencial de ressalto. Não baixo o suficiente diminui a capacidade de corte.
- Se os dentes de corte atingirem objetos sólidos, como por exemplo pregos e pedras ou tiverem sofrido abrasão por lama ou areia na madeira, estes devem ser afiados por um técnico de reparação qualificado.

AVISO: Inspeccione a roda dentada motriz quanto a desgaste ou danos quando substituir a corrente. Se existirem sinais de desgaste ou de danos nas áreas indicadas, a roda dentada motriz tem de ser substituída por um técnico de reparação qualificado.

MANUTENÇÃO DA BARRA DE ORIENTAÇÃO

Quando a barra de orientação apresentar sinais de desgaste, vire-a na serra para distribuir o desgaste, para um tempo máximo de vida útil. A barra deverá ser limpa todos os dias em que for utilizada e verificada quanto a desgaste ou danos. Empenos ou rebarbas das calhas da barra são um processo normal do desgaste da barra. Tais falhas deverão ser reparadas com recurso a uma lima, mal aconteçam. Uma barra com qualquer uma das seguintes falhas deverá ser substituída.

- Desgaste dentro das calhas da barra que permita à corrente ficar virada de lado.
- Barra de orientação dobrada.
- Calhas rachadas ou partidas.
- Calhas separadas.

Além disso, a barra de orientação tem uma roda dentada na ponta (Fig. A-20). A roda dentada tem de ser lubrificada todas as semanas com uma seringa de lubrificação para aumentar o tempo de vida útil da barra de orientação. Utilize uma seringa de lubrificação para lubrificar semanalmente com óleo de corrente através do orifício de lubrificação (Fig. A-19). Vire a barra de orientação e certifique-se de que os orifícios de lubrificação e a ranhura da corrente não têm impurezas.

TRANSPORTE E ARMAZENAMENTO

- Não armazene nem transporte a motosserra quando esta se encontra em funcionamento. Retire sempre a bateria antes de guardar ou transportar.
- Coloque sempre a cobertura da barra de orientação na barra de orientação e na corrente antes de guardar ou transportar a motosserra. Tenha cuidado para evitar os dentes afiados da corrente.
- Limpe bem a motosserra antes de a guardar. Guarde a motosserra no interior, num local seco fechado e/ou inacessível às crianças.
- Mantenha-a afastada de agentes corrosivos, como químicos de jardinagem e sais de degelo.

Proteção do ambiente



Não elimine o equipamento elétrico, o carregador da bateria e as baterias/ baterias recarregáveis juntamente com o lixo doméstico comum!

De acordo com a norma europeia 2002/19/UE, o equipamento elétrico e eletrônico que deixe de ser usado e de acordo com a norma europeia 2006/66/CE, as baterias gastas ou defeituosas têm de ser recolhidas em separado.

Se os equipamentos elétricos forem eliminados em aterros ou lixeiras, substâncias perigosas podem vazar para os lençóis freáticos e entrar na cadeia de alimentação, danificando a sua saúde e bem-estar.

DECLARAÇÃO DE CONFORMIDADE CE

Nós, CHERVON EUROPE LTD.

47 CASTLE STREET, READING, RG1 7SR, UNITED KINGDOM

Declara que o produto **motosserra sem fios de ião e lítio de 56 V CS1400E/CS1600E**, se encontra em conformidade com os requisitos essenciais de saúde e segurança das seguintes Diretivas:

2006/42/CE, 2004/108/CE, 2011/65/UE, 2000/14/CE

Normas e características técnicas relativas a:

EN 60745-1, EN 60745-2-13, EN 55014-1, EN 55014-2

	CS1400E	CS1600E
Nível de potência do som medido:	96,73 dB(A)	96,4 dB(A)
Nível de potência de som garantido:	100 dB(A)	99 dB(A)

PT

Peter Melrose
Vice-presidente da Chervon Europe

Dong Jianxun
Gestor de Qualidade da Chervon

* (Representante autorizado da CHERVON e responsável pela documentação técnica)

01/01/2016

Nome, endereço e número de identificação do organismo notificado:

TÜV Rheinland LGA Products GmbH; Tillystra 2 D - 90431 Nürnberg, Germany; 0197.

Número de certificado de exame CE de tipo:

BM 50326004 0001 (CS1600E)

BM 50296271 0001 (CS1400E)

RESOLUÇÃO DE PROBLEMAS

⚠️ AVISO: Proteja sempre as mãos usando luvas resistentes quando efetuar qualquer manutenção na corrente da serra. Retire sempre a bateria quando reparar ou transportar a motosserra.

PT

PROBLEMA	CAUSA	SOLUÇÃO
O motor não funciona	<ul style="list-style-type: none"> ■ A bateria não foi colocada na motosserra. ■ Não existe contacto elétrico entre a motosserra e a bateria. ■ A bateria está gasta. ■ A bateria ou motosserra está muito quente. ■ O botão de desbloqueio não foi premido antes de premir o interruptor do gatilho. ■ O travão da corrente está ativado. ■ A corrente da serra ficou presa na madeira. ■ Existem resíduos na ranhura da barra. ■ Existem resíduos na cobertura lateral. 	<ul style="list-style-type: none"> ■ Fixe a bateria na motosserra. ■ Retire a bateria, verifique os contactos e volte a instalar a bateria. ■ Carregue a bateria. ■ Deixe a bateria ou motosserra arrefecer até que a temperatura atinja menos de 67 °C. ■ Prima o botão de desbloqueio e mantenha premido, depois prima o gatilho para ligar a motosserra. ■ Puxe a pega do travão do ressalto da corrente para trás, em direção à pega dianteira. ■ Liberte o interruptor do gatilho. Retire a corrente da serra e a barra de orientação da madeira, depois volte a ligar a motosserra. ■ Pressione a corrente da serra contra a madeira, mova-a para a frente e para trás para retirar os resíduos. ■ Retire a bateria, depois retire a cobertura lateral e limpe os resíduos.
O motor funciona, mas a corrente não roda.	<ul style="list-style-type: none"> ■ A corrente não está ligada à roda dentada motriz. 	<ul style="list-style-type: none"> ■ Volte a instalar a corrente, certificando-se de que os elos condutores na corrente estão completamente assentes na roda dentada.
O travão da corrente não funciona.	<ul style="list-style-type: none"> ■ Os resíduos impedem o movimento completo da pega do travão do ressalto da corrente. ■ Possível mau funcionamento do travão da corrente. 	<ul style="list-style-type: none"> ■ Limpe os resíduos do mecanismo externo do travão da corrente. ■ Contacte o serviço de apoio ao cliente da EGO.

PROBLEMA	CAUSA	SOLUÇÃO
A motosserra não corta adequadamente.	<ul style="list-style-type: none"> ■ Tensão da corrente insuficiente. ■ A corrente não está afiada. ■ A corrente foi instalada ao contrário. ■ A corrente está gasta. ■ Corrente seca ou excessivamente esticada. ■ A corrente não está na ranhura da barra. 	<ul style="list-style-type: none"> ■ Volte a ajustar a tensão da corrente, tendo em conta a secção: “AJUSTAR A TENSÃO DA CORRENTE”. ■ Afie os cortadores da corrente, tendo em conta a secção: “COMO AFIAR OS CORTADORES”. ■ Volte a instalar a corrente da serra, tendo em conta a secção: “SUBSTITUIR A BARRA E A CORRENTE”. ■ Substitua a corrente, tendo em conta a secção: “SUBSTITUIR A BARRA E A CORRENTE”. ■ Verifique o nível do óleo Encha o depósito do óleo, se necessário. ■ Volte a instalar a corrente da serra, tendo em conta a secção: “SUBSTITUIR A BARRA E A CORRENTE”.
O funcionamento da barra e corrente é quente e fumeja	<ul style="list-style-type: none"> ■ Verifique a tensão da corrente quanto a uma condição de sobre aperto. ■ O depósito do óleo da corrente está vazio. ■ Existem resíduos na ranhura da barra de orientação. 	<ul style="list-style-type: none"> ■ Volte a ajustar a tensão da corrente da serra, tendo em conta a secção: “AJUSTAR A TENSÃO DA CORRENTE”. ■ Adicionar lubrificante à barra e à serra. ■ Limpe os resíduos na ranhura.

PT

GARANTIA

POLÍTICA DE GARANTIA EGO

Por favor, visite o website egopowerplus.com para saber todos os termos e condições da política de garantia EGO

LEGGERE TUTTE LE ISTRUZIONI!



LEGGERE E COMPRENDERE LE ISTRUZIONI

⚠️ Rischi residui! Le persone portatrici di dispositivi elettronici, ad esempio pacemaker, devono consultare il proprio medico prima di usare questo prodotto. L'utilizzo di apparecchi elettrici in prossimità di pacemaker cardiaci comporta il rischio di interferenze o malfunzionamento del pacemaker.

⚠️ AVVERTENZA! Per garantire sicurezza e affidabilità, tutte le riparazioni e sostituzioni devono essere eseguite da un tecnico qualificato.

IT

SIMBOLI DI SICUREZZA

Lo scopo dei simboli di sicurezza è attirare l'attenzione dell'operatore su possibili pericoli. I simboli di sicurezza e le relative spiegazioni richiedono la massima attenzione e comprensione da parte dell'operatore. Le avvertenze espresse dai simboli, da sole, non eliminano tutti i rischi. Le istruzioni e le avvertenze non sostituiscono le adeguate misure di prevenzione contro gli incidenti.

⚠️ AVVERTENZA! Accertarsi di aver letto e compreso tutte le istruzioni di sicurezza in questo manuale, inclusi tutti i simboli di avvertenza come **"PERICOLO"**, **"AVVERTENZA"** e **"ATTENZIONE"**, prima di usare questo apparecchio. Il mancato rispetto di tutte le istruzioni elencate di seguito comporta il rischio di scossa elettrica, incendio e/o lesioni gravi.

SIGNIFICATO DEI SIMBOLI

AVVERTENZA DI SICUREZZA: Indica PERICOLO, AVVERTENZA o ATTENZIONE. Può essere usato in combinazione con altri simboli.

⚠️ AVVERTENZA! L'uso di apparecchi elettrici può causare il lancio di oggetti estranei verso l'operatore, con il rischio di gravi lesioni agli occhi. Durante l'uso dell'apparecchio, indossare sempre occhiali protettivi o occhiali di sicurezza con protezioni laterali e, se necessario, una maschera facciale. Si consiglia di indossare una maschera di sicurezza con ampio campo visivo sopra gli occhiali o gli occhiali di sicurezza standard con protezioni laterali.

ISTRUZIONI DI SICUREZZA

Questa pagina illustra e descrive i simboli di sicurezza che possono comparire sul prodotto. Leggere, comprendere e seguire tutte le istruzioni sull'apparecchio prima di tentare di assemblarlo e ripararlo.

	Avvertenza di sicurezza	Indica un potenziale rischio di infortunio.
	Leggere il manuale di istruzioni	Per ridurre il rischio di infortunio, l'utente deve leggere il manuale di istruzioni.
	Indossare protezioni per gli occhi	Durante l'uso del prodotto, indossare sempre occhiali protettivi o occhiali di sicurezza con protezioni laterali e una maschera facciale.
	Indossare protezioni per le orecchie	Durante l'uso del prodotto, indossare sempre protezioni per le orecchie.
	Indossare protezioni per la testa	Indossare un casco di sicurezza omologato per proteggere la testa.
	Indossare guanti di sicurezza	Proteggere le mani con i guanti durante la manipolazione della motosega e della catena. Guanti robusti e antiscivolo migliorano la presa e proteggono le mani dell'operatore.
	Barra guida	Informazioni sulla barra guida.
	Rischio di contraccolpo	Evitare il contatto della punta della barra guida con qualsiasi oggetto
	Contraccolpo della punta della barra guida	Il contatto della punta causa l'improvviso movimento della barra guida in alto e all'indietro, con il rischio di lesioni gravi.
	Presa a due mani	Tenere la motosega con entrambe le mani durante l'uso.
	Non esporre alla pioggia	Non usare l'apparecchio in caso di pioggia e non lasciarlo all'aperto quando piove.

	CE	Questo prodotto è conforme alle direttive CE applicabili.
	Rumore	Livello di potenza sonora garantito. Emissione di rumorosità ambientale conforme alle direttive della Comunità europea.
	WEEE	I rifiuti elettrici non devono essere smaltiti con i rifiuti domestici. Consegnarli presso un centro di raccolta preposto.
V	Volt	Voltaggio
A	Ampere	Corrente
Hz	Hertz	Frequenza (cicli al secondo)
W	Watt	Potenza
min	Minuti	Tempo
	Corrente alternata	Tipo di corrente
	Corrente continua	Tipo o caratteristica della corrente
n_0	Velocità a vuoto	Velocità di rotazione, senza carico
... /min	Al minuto	Rotazioni al minuto

AVVERTENZE DI SICUREZZA GENERALI PER TUTTI GLI UTENSILI ELETTRICI

⚠ AVVERTENZA! Leggere tutte le istruzioni e le avvertenze di sicurezza. Il mancato rispetto delle avvertenze e istruzioni può provocare scosse elettriche, incendi e/o gravi infortuni.

Conservare tutte le avvertenze e le istruzioni per riferimento futuro.

Il termine "utensile elettrico" nelle avvertenze si riferisce a un utensile elettrico alimentato da una rete elettrica (con cavo) o a batterie (senza cavo).

SICUREZZA DELL'AREA DI LAVORO

- **Mantenere l'area di lavoro pulita e ben illuminata.** Aree ingombre e ombreggiate favoriscono gli incidenti.

- **Non usare gli utensili elettrici in atmosfere esplosive, ad esempio in presenza di liquidi infiammabili, benzina o polvere.** Gli utensili elettrici producono scintille suscettibili di dare fuoco a polveri o vapori.
- **Tenere eventuali altre persone e bambini lontane durante l'uso di un utensile elettrico.** Le distrazioni comportano il rischio di perdita di controllo.

SICUREZZA ELETTRICA

- **La spina dell'utensile elettrico deve essere adeguata alla presa in cui verrà inserita. Non modificare la spina in alcun modo. Non usare adattatori con utensili elettrici messi a terra (o a massa).** Spine non modificate e prese adatte riducono il rischio di scossa elettrica.
- **Evitare il contatto del corpo con superfici messe a terra o a massa, ad esempio tubi, radiatori, fornelli e frigoriferi.** Il rischio di scossa elettrica aumenta se il proprio corpo è messo a terra o a massa.
- **Non esporre gli utensili elettrici a pioggia o condizioni di umidità.** La penetrazione di acqua all'interno di un utensile elettrico aumenta il rischio di scossa elettrica.
- **Non danneggiare il cavo di alimentazione. Non usare mai il cavo per trasportare, tirare o scollegare l'utensile elettrico. Tenere il cavo al riparo da calore, olio, bordi taglienti o parti in movimento.** Cavi danneggiati o aggrovigliati aumentano il rischio di scossa elettrica.
- **Durante l'uso di un utensile elettrico all'aperto, usare una prolunga progettata appositamente per ambienti esterni.** L'uso di un cavo adatto agli ambienti esterni riduce il rischio di scossa elettrica.
- **Se è necessario usare l'utensile elettrico in un ambiente umido, usare una rete di alimentazione protetta da un interruttore differenziale.** L'uso di un interruttore differenziale (RCD) riduce il rischio di scossa elettrica.

SICUREZZA PERSONALE

- **Rimanere vigili, prestare attenzione a ciò che si sta facendo e usare il buon senso durante l'uso dell'utensile elettrico. Non usare l'utensile elettrico se si è stanchi o sotto l'effetto di droghe, alcol o medicinali.** Anche un solo momento di disattenzione durante l'uso dell'utensile elettrico comporta il rischio di lesioni gravi.
- **Indossare attrezzatura di protezione. Indossare sempre protezioni per gli occhi.** Se le condizioni lo richiedono, indossare anche maschere antipolveri, calzature antiscivolo, caschi o protezioni per le orecchie per ridurre il rischio di infortunio.

IT

- **Prevenire l'avvio accidentale. Verificare che l'interruttore sia in posizione di spegnimento prima di raccogliere, trasportare o collegare l'utensile elettrico alla rete elettrica e/o al gruppo batteria.**

Trasportare un utensile elettrico con il dito sull'interruttore o inserire il gruppo batteria quando l'interruttore è in posizione di accensione favorisce gli incidenti.

- **Rimuovere eventuali chiavi di serraggio prima di accendere l'utensile elettrico.** Una chiave di serraggio rimasta inserita in un elemento mobile dell'utensile elettrico può provocare infortuni.
- **Non allungarsi eccessivamente. Tenere i piedi a contatto con il pavimento e mantenere sempre l'equilibrio.** Ciò permette di avere un maggiore controllo dell'utensile elettrico in caso di imprevisti.
- **Vestirsi adeguatamente. Non indossare indumenti ampi o gioielli. Tenere i capelli, gli indumenti e le mani lontano dalle parti mobili.** Indumenti ampi, gioielli o capelli lunghi possono rimanere impigliati nelle parti in movimento.
- **Se sono presenti dispositivi di aspirazione e trattenimento delle polveri, assicurarsi che siano collegati e usati correttamente.** Tali dispositivi possono ridurre i rischi legati alle polveri.

USO E MANUTENZIONE DEGLI UTENSILI ELETTRICI

- **Non forzare l'utensile elettrico. Usare l'utensile elettrico adatto al lavoro da effettuare.** L'utensile elettrico adatto sarà più efficace e sicuro se usato al regime per cui è stato progettato.
- **Non usare l'utensile elettrico se l'interruttore non funziona correttamente** Gli utensili elettrici che non possono essere accesi e spenti correttamente sono pericolosi e devono essere riparati.
- **Scollegare la spina dalla presa di corrente e/o rimuovere il gruppo batteria prima di regolare o riporre l'utensile elettrico o di sostituire gli accessori.** Tale misura di sicurezza riduce il rischio di avvio accidentale dell'utensile elettrico.
- **Riporre gli utensili elettrici fuori dalla portata dei bambini e non consentirne l'uso a persone che non lo sanno usare o non hanno letto queste istruzioni.** Gli utensili elettrici diventano strumenti pericolosi nelle mani di persone che non sanno usarli.
- **Mantenere gli utensili elettrici in buono stato. Verificare che le parti mobili non siano disallineate o piegate e che non siano presenti danni o altre condizioni che potrebbero compromettere il funzionamento dell'utensile elettrico. Se danneggiato, fare riparare l'utensile elettrico prima di usarlo.** Molti incidenti sono dovuti a una cattiva manutenzione degli utensili elettrici.

- **Mantenere gli utensili elettrici puliti e affilati.** Gli utensili di taglio mantenuti puliti e affilati hanno meno probabilità di subire malfunzionamenti e sono più facili da controllare.
- **Usare l'utensile elettrico, gli accessori, le punte, ecc. conformemente a queste istruzioni, tenendo conto delle condizioni di lavoro e delle operazioni da eseguire.** L'uso dell'utensile elettrico per operazioni diverse da quelle per cui è progettato può comportare situazioni di pericolo.

USO E MANUTENZIONE DELLA BATTERIA

- **Ricaricare la batteria esclusivamente con il caricabatteria specificato dal costruttore.** Un caricabatteria adatto a un tipo di gruppo batteria può comportare il rischio di incendio se usato con un altro gruppo batteria.
- **Usare esclusivamente gruppi batteria progettati specificamente per questo utensile elettrico.** L'uso di altri gruppi batteria comporta il rischio di incendio e infortunio.
- **Quando la batteria non è in uso, tenerla lontana da piccoli oggetti metallici, ad esempio graffette, monete, chiavi, chiodi, viti ecc. poiché potrebbero creare un collegamento tra i due terminali.**
L'eventuale cortocircuito dei terminali della batteria comporta il rischio di incendio o di ustioni.
- **L'utilizzo improprio dell'utensile elettrico può causare fuoriuscite di liquido dalla batteria: evitare il contatto con tale liquido. In caso di contatto accidentale, lavare con acqua. Se il liquido entra in contatto con gli occhi, consultare un medico.** Il liquido fuoriuscito dalla batteria può causare irritazioni o ustioni.

RIPARAZIONI

- **Affidare la riparazione dell'utensile elettrico a tecnici qualificati usando esclusivamente parti di ricambio identiche.** Ciò salvaguarderà la sicurezza dell'utensile elettrico.

AVVERTENZE DI SICUREZZA SPECIFICHE PER SEGHE A CATENA

- **Mantenere tutte le parti del corpo lontani dalla motosega quando è in funzione. Prima di avviare la motosega, accertarsi che non sia a contatto con alcun oggetto.** Un solo momento di disattenzione durante l'uso della motosega comporta il rischio di rimanere impigliati nella catena con il corpo o gli indumenti.

- **Tenere sempre la motosega con la mano destra sull'impugnatura posteriore e la mano sinistra sull'impugnatura anteriore.** Tenere la motosega invertendo tale configurazione manuale aumenta il rischio di lesioni e deve essere assolutamente evitato.
- **Tenere la motosega esclusivamente tramite le superfici di presa isolate, perché la motosega può entrare in contatto con cavi elettrici nascosti.** Se entra in contatto con un cavo sotto tensione, la motosega può trasmettere la corrente alle parti metalliche dell'utensile elettrico, con il rischio di scossa elettrica per l'operatore.
- **Indossare occhiali di sicurezza e protezioni per le orecchie. Si raccomanda l'uso di altri dispositivi di sicurezza per testa, mani, gambe e piedi.** Adeguati indumenti protettivi ridurranno il rischio di infortunio dovuto a detriti volanti o al contatto accidentale con la catena.
- **Non usare la motosega sopra un albero.** L'uso di una motosega mentre si è su un albero comporta il rischio di infortunio.
- **Mantenere sempre l'equilibrio e usare la motosega esclusivamente quando si è su superfici fisse, sicure e a livello.** Superfici scivolose o instabili, ad esempio scale, comportano il rischio di perdita di equilibrio o di controllo della motosega.
- **Durante il taglio di un ramo in tensione, fare attenzione al rischio di rimbalzo.** Al rilascio della tensione nelle fibre del legno, il ramo torna bruscamente nella posizione originale, con il rischio di colpire l'operatore e/o causare la perdita di controllo della motosega.
- **Prestare particolare attenzione durante il taglio di rametti e cespugli.** I materiali sottili possono venire agganciati dalla catena ed essere lanciati contro l'operatore o causare la perdita di equilibrio.
- **Trasportare la motosega tramite l'impugnatura anteriore, spenta e lontana dal proprio corpo. Durante il trasporto o prima di riporre la motosega, inserire sempre la copertura della barra.** La corretta manipolazione della motosega riduce il rischio di contatto accidentale con la catena in movimento.
- **Seguire le istruzioni relative alla lubrificazione, alla regolazione della tensione della catena e alla sostituzione degli accessori.** Una catena tesa o lubrificata in modo scorretto può rompersi o aumentare il rischio di contraccolpo.
- **Tenere le impugnature asciutte, pulite e prive di olio e grasso.** Le impugnature unte sono scivolose e comportano il rischio di perdita di controllo.

- **Tagliare esclusivamente legname. Non usare la motosega per altri scopi. Ad esempio, non usare la motosega per tagliare materie plastiche, muratura o materiali edili non legnosi.** L'uso della motosega per operazioni diverse da quelle per cui è progettata può comportare situazioni di pericolo.

CAUSE E PREVENZIONE DEL CONTRACCOLPO (Fig. B, C, D e E)

Il contraccolpo può verificarsi quando la punta della barra guida entra in contatto con un oggetto o quando il legname si piega e la catena della motosega rimane bloccata nel taglio.

Il contatto con la punta può in alcuni casi dare origine a una rapidissima controtreazione, che causa lo sbalzo la barra guida verso l'alto e all'indietro verso l'operatore.

L'inceppamento della catena sul bordo superiore della punta della barra guida può spingere la barra guida rapidamente contro l'operatore.

Descrizione delle parti in Fig. B e C:

B-1	Contraccolpo curvilineo
C-1	Contraccolpo rettilineo

In entrambi i casi, l'operatore può perdere il controllo della motosega, con il rischio di gravi infortuni. Non fare affidamento esclusivamente sui dispositivi di sicurezza integrati nella motosega.

L'operatore deve adottare adeguate precauzioni per evitare incidenti o infortuni durante l'uso della motosega.

Il contraccolpo è il risultato dell'uso improprio della motosega e/o di procedure d'uso o condizioni scorrette, e può essere evitato prendendo le seguenti precauzioni:

- **Mantenere una presa salda con entrambe le mani, e il pollice e le dita intorno alle impugnature; mantenere una posizione del corpo e delle braccia tale da resistere alle forze di contraccolpo (Fig. E).** Le forze di contraccolpo possono essere controllate dall'operatore, se sono state prese le dovute precauzioni. Non abbandonare mai la presa.
- **Evitare una posizione anomala del corpo e non eseguire tagli oltre l'altezza della spalla.** Ciò contribuisce a evitare il contatto accidentale della punta e migliora il controllo sulla motosega in circostanze impreviste.
- **Usare esclusivamente lame e catene sostitutive specificate dal costruttore.** Lame e catene di ricambio non appropriate comportano il rischio di rottura della catena e/o contraccolpo.
- **Seguire le istruzioni del costruttore relative alla manutenzione e affilatura della motosega.** Diminuire l'altezza del limitatore di profondità aumenta il rischio di contraccolpo.

IT

- **Verificare che l'area di lavoro sia priva di ostruzioni.** Evitare che la punta della barra guida entri a contatto con tronchi, rami, recinzioni o altre ostruzioni suscettibili di venire colpite durante l'uso della motosega.
- **Tagliare sempre con il motore alla velocità massima.** Premere completamente l'interruttore a grilletto e mantenere la velocità di taglio.
- **Con una conoscenza essenziale del fenomeno del contraccolpo, è possibile ridurre o eliminare l'elemento sorpresa.** Eventi imprevisti contribuiscono agli incidenti.
- **Tenere i piedi a contatto con il pavimento e mantenere sempre l'equilibrio.**
- **Spinta e traino** - La forza di reazione è sempre opposta alla direzione di movimento della catena nel punto di contatto con il legno. Pertanto, l'operatore deve essere pronto a controllare il TRAINO durante il taglio con la parte inferiore della barra guida e la SPINTA durante il taglio lungo la parte superiore (Fig. F).

DISPOSITIVI DI SICUREZZA CONTRO IL CONTRACCOLPO INTEGRATI NELLA MOTOSEGA

Freno catena

La motosega è dotata di freno catena, che arresta sia il motore che il movimento della catena in caso di contraccolpo. Il freno catena è innestato dallo spostamento in avanti dell'impugnatura del freno, poiché la motosega ruota all'indietro durante il contraccolpo; è innestato anche dalle forze inerziali generate durante la rapida resistenza contraria.

⚠ AVVERTENZA! Non modificare mai o tentare di disattivare il freno catena.

Verificare che il freno catena funzioni in modo corretto prima di usare la motosega. L'impugnatura del freno catena deve muoversi facilmente in avanti e all'indietro.

Per collaudare il funzionamento del freno catena, eseguire i seguenti passaggi (Fig. G):

- Posizionare la motosega su una superficie piana e liscia e verificare che nelle immediate vicinanze non siano presenti oggetti o ostruzioni che potrebbero entrare in contatto con la barra guida e la catena.
- Disinnestare il freno catena spingendo l'impugnatura del freno catena verso l'impugnatura anteriore.
- Avviare la motosega.
- Spingere l'impugnatura del freno catena anticontraccolpo verso la parte anteriore della motosega. Se funziona correttamente, il freno catena arresterà immediatamente il movimento della catena. Se il freno catena non funziona correttamente, non usare la motosega finché non è stata riparata da un tecnico qualificato.

Descrizione delle parti in Fig. G:

G-1	Impugnatura del freno catena disinnestato
G-2	Impugnatura del freno catena innestato

⚠ AVVERTENZA! Verificare che il freno catena funzioni correttamente prima di ogni utilizzo.

⚠ AVVERTENZA! Se il freno catena è ostruito da frammenti di legno, il suo funzionamento può deteriorarsi. Mantenere l'apparecchio sempre pulito.

Catena a riduzione del contraccolpo

L'oggetto di spoglia (limitatore di profondità) davanti a ogni dente può minimizzare la forza di reazione del contraccolpo evitando che il dente affondi troppo in profondità nell'area del contraccolpo. Usare esclusivamente una catena di ricambio identica alla catena originale o omologata.

⚠ ATTENZIONE! Poiché le catene vengono affilate durante la loro vita utile, col tempo perdono parte della loro qualità di riduzione del contraccolpo ed è necessario prestare particolare attenzione.

AVVERTENZE AGGIUNTIVE

- **La motosega è progettata per essere usata con entrambe le mani.** Usarla con una sola mano comporta il rischio di lesioni gravi all'operatore, ai suoi assistenti e/o altre persone presenti.
- **Evitare il contatto accidentale con i binari della barra guida o la catena** perché sono molto affilate. Indossare sempre guanti e pantaloni lunghi o sovrappantaloni durante la manipolazione della motosega, la catena o la barra guida.
- **Non usare mai la motosega se è danneggiata, regolata in modo improprio o assemblata solo parzialmente o scorrettamente.** Verificare che la catena della motosega smetta di muoversi al rilascio dell'interruttore a grilletto.
- **Prima del taglio, ispezionare il pezzo da lavorare per verificare che sia privo di chiodi, cavi o altri oggetti estranei.**
- **Durante il taglio in pezzi del tronco, fissare il pezzo da lavorare prima del taglio. Durante il taglio di abbattimento o la diramatura, identificare e fissare i rami pericolosi.**
- **Un taglio aggressivo o improprio o l'uso scorretto della motosega può causare l'usura prematura della barra, della catena e/o del pignone, o la rottura della catena o della barra, con il rischio di contraccolpo, lancio della catena o espulsione di materiale.**
- **Non usare ma la barra guida come leva.** Una barra di guida piegata può causare l'usura prematura della barra, della catena e/o del pignone, o la rottura della catena o della barra, con il rischio di contraccolpo, lancio della catena o espulsione di materiale.

- **Tagliare un solo pezzo da lavorare alla volta.**
- **Usare la motosega esclusivamente con i gruppi batteria e caricabatteria EGO.**

BATTERIA	CARICABATTERIA
BA1120E, BA2240E, BA2800, BA3360, BA4200	CH5500E, CH2100E

- **Non ricaricare il gruppo batteria sotto la pioggia o in luoghi umidi.**
- **Pianificare il lavoro, rimuovere eventuali ostacoli dall'area di lavoro e, in caso di abbattimento, preparare almeno un percorso di fuga per l'albero in abbattimento.**
- **Durante l'abbattimento, tenere eventuali altre persone a una distanza pari ad almeno due volte l'altezza dell'albero.**
- **In caso di situazioni non contemplate in questo manuale, agire con cautela e usare il buon senso. Contattare il centro di assistenza EGO per assistenza.**

BARRA GUIDA

Questa motosega è dotata di una barra guida con punta a raggio ridotto. Generalmente, le punte a raggio ridotto diminuiscono il rischio di contraccolpo. Durante la sostituzione della barra guida, accertarsi di acquistare la barra specificata in questo manuale.

CONSERVARE QUESTE ISTRUZIONI!

SPECIFICHE TECNICHE

Modello	CS1400E	CS1600E
Voltaggio	56 V ---	56 V ---
Lunghezza barra guida	350 mm	400 mm
Partitura catena	9,5 mm	9,5 mm
Larghezza scanalatura	1,1 mm	1,1 mm
Modello catena	90PX052X (Oregon)	90PX052X (Oregon) 90PX056X (Oregon)
Modello barra guida	144MLEA041 (Oregon)	144MLEA041 (Oregon) 164MLEA041 (Oregon)
Capacità serbatoio dell'olio	150 ml	150 ml
Peso (senza gruppo batteria, copertura della barra guida)	3,81 Kg	3,86 Kg

Livello di potenza sonora misurato L_{WA}	96,73 dB(A) $K_{WA} = 2,5$ dB(A)	96,4 dB(A) $K_{WA} = 2,5$ dB(A)	
Livello di pressione sonora a livello dell'orecchio dell'operatore L_{PA}	85,73 dB(A) $K_{PA} = 2,5$ dB(A)	85,4 dB(A) $K_{PA} = 2,5$ dB(A)	
Livello di potenza sonora garantito L_{WA} (conformemente a 2000/14/EC)	100 dB(A)	99 dB(A)	
Vibrazioni a_h	Impugnatura posteriore	5,373 m/s ² $K = 1,5$ m/s ²	3,222 m/s ² $K = 1,5$ m/s ²
	Impugnatura anteriore	4,146 m/s ² $K = 1,5$ m/s ²	3,081 m/s ² $K = 1,5$ m/s ²

- Il valore totale di vibrazioni indicato è stato misurato tramite il metodo di collaudo standard e può essere utilizzato per confrontare l'apparecchio con altri prodotti analoghi.
- Il valore totale di vibrazioni indicato può essere utilizzato anche per una valutazione preliminare dei livelli di esposizione.

ATTENZIONE! L'emissione di vibrazioni durante l'uso effettivo dell'apparecchio può variare rispetto al valore indicato in base a come viene utilizzato l'utensile. Per proteggersi, l'operatore deve indossare guanti e dispositivi di protezione per le orecchie in base alle reali condizioni d'uso.

CONTENUTO DELLA CONFEZIONE

NOME DEL COMPONENTE	QUANTITÀ
Testa motore della motosega	1
Catena	1
Barra guida	1
Copertura della barra	1
Manuale di istruzioni	1

DESCRIZIONE

DESCRIZIONE DELLA MOTOSEGA (Fig. A)

1. Interruttore a grilletto
2. Pulsante di sbloccaggio
3. Pulsante di rilascio della batteria
4. Tappo del serbatoio dell'olio
5. Finestra di ispezione dell'olio
6. Catena della motosega
7. Barra guida
8. Dispositivo di chiusura
9. Meccanismo di espulsione

10. Contatti elettrici
11. Impugnatura del freno catena
12. Manopola di tensione della catena
13. Impugnatura anteriore
14. Impugnatura posteriore
15. Vite di tensione della catena
16. Copertura laterale
17. Manopola della copertura laterale
18. Copertura della barra
19. Foro di lubrificazione
20. Pignone nella punta della barra guida

ATTENZIONE! L'impugnatura del freno catena funge da leva per l'innesto del freno catena. Fornisce anche protezione contro i rami sporgenti e contribuisce a evitare che la mano sinistra tocchi la catena della motosega se la mano scivola dall'impugnatura anteriore.

ASSEMBLAGGIO

AVVERTENZA! In caso di componenti danneggiati o mancanti, non usare l'apparecchio finché i componenti non vengono sostituiti. L'uso dell'apparecchio con componenti danneggiati o mancanti comporta il rischio di lesioni gravi.

AVVERTENZA! Non tentare di modificare l'apparecchio o creare accessori non raccomandati per l'uso con questa motosega. Tali alterazioni o modifiche costituiscono un uso improprio e comportano condizioni pericolose e il rischio di lesioni gravi.

AVVERTENZA! Per evitare l'avvio accidentale e il conseguente rischio di lesioni gravi, rimuovere sempre il gruppo batteria dall'apparecchio durante l'assemblaggio dei componenti.

ASSEMBLARE/SOSTITUIRE BARRA E CATENA

AVVERTENZA! Indossare sempre guanti durante la manipolazione di barra e catena perché sono affilate e possono presentare bavature.

1. Posizionare la testa motore su un fianco, con la copertura laterale rivolta verso l'alto (Fig. H).
2. Ruotare la manopola della copertura laterale in senso antiorario per rimuovere la copertura laterale, quindi allentare la manopola di tensione della catena il più possibile.
3. Disporre la nuova catena ad anello su una superficie piana, raddrizzando eventuali pieghe (Fig. I).
4. Posizionare le maglie di trascinamento nella scanalatura della barra guida e posizionare la catena in modo tale che formi un anello alla fine della barra guida (Fig. J).

5. Tenere la catena in posizione sulla barra guida e posizionare l'anello intorno al pignone della testa motore.
6. Fare scorrere la fessura della barra guida sulle flange di allineamento, finché il perno di regolazione della tensione non è inserito nel foro inferiore della coda della barra (Fig. L1).

ATTENZIONE! Sulla catena sono incise delle piccole frecce. Un'altra freccia è presente sull'apparecchio. Durante l'avvolgimento della catena sul pignone, accertarsi che la direzione delle frecce sulla catena corrisponda alla direzione della freccia sull'apparecchio. Se le frecce sono rivolte in direzione opposta, capovolgere il gruppo catena e barra guida (Fig. L2).

7. Riposizionare la copertura laterale e serrare leggermente la manopola della copertura laterale.
8. Sollevare la punta della barra guida per controllare che la catena non sia allentata (Fig. K). Rilasciare la punta della barra guida e ruotare la manopola di tensione della catena in senso orario. Ripetere questo processo finché la catena non è tesa.
9. Serrare saldamente la manopola della copertura laterale per assicurarsi che la catena sia tesa correttamente prima dell'uso.

Descrizione delle parti in Fig. J e L:

J-1	Maglie di trascinamento	L-2	Perno di regolazione della tensione
J-2	Scanalatura della barra guida	L-3	Fessura della barra guida
L-1	Flangia di allineamento	L-4	Pignone

ATTENZIONE! Per estendere la durata di vita della barra di guida, invertirla di tanto in tanto.

ATTENZIONE! Se è troppo tesa, la catena non ruoterà. Allentare leggermente la manopola della copertura laterale e ruotare la manopola di tensione di un giro, da destra a sinistra. Sollevare la punta della barra guida e serrare nuovamente la manopola della copertura laterale. Assicurarsi che la catena ruoti senza piegarsi.

REGOLARE LA TENSIONE DELLA CATENA

- Spegnerne il motore e rimuovere il gruppo batteria prima di regolare la tensione della catena. Accertarsi che la manopola della copertura laterale sia allentata. Ruotare la manopola di tensione della catena in senso orario per tendere la catena. Per ulteriori informazioni, consultare la sezione "**SOSTITUIRE BARRA E CATENA**".
- Una catena fredda è tesa correttamente quando la catena è aderente alla parte inferiore della barra, ma è possibile ruotarla a mano senza piegarla. È necessario

regolare nuovamente la tensione della catena quando la parte superiore delle maglie di trascinamento non rimangono nella scanalatura della barra.

- Durante il normale funzionamento della motosega, la temperatura della catena aumenta. Le maglie di trascinamento di una catena calda tesa correttamente pendono di circa 1,3 mm dalla scanalatura della barra guida (Fig. M).

ATTENZIONE! Le catene nuove tendono ad allungarsi; controllare la tensione della catena frequentemente.

ATTENZIONE! Una catena che viene tesa mentre è calda può diventare troppo stretta quando si raffredda. Controllare la tensione a freddo prima del successivo utilizzo.

FUNZIONAMENTO

AVVERTENZA! La familiarità con questo apparecchio non deve rendere l'operatore disattento. Anche un solo momento di disattenzione comporta il rischio di lesioni gravi.

AVVERTENZA! Indossare sempre occhiali di sicurezza con protezioni laterali. Il mancato rispetto di questa istruzione comporta il rischio di oggetti proiettati verso gli occhi dell'operatore e altre lesioni gravi.

AVVERTENZA! Non usare accessori non raccomandati dal costruttore dell'apparecchio. L'uso di accessori non raccomandati comporta il rischio di lesioni gravi.

AVVERTENZA! Per evitare l'avvio accidentale e il conseguente rischio di lesioni gravi, rimuovere sempre il gruppo batteria dall'apparecchio durante l'assemblaggio dei componenti, le operazioni di regolazione e pulizia e quando non è in uso.

Prima di ogni utilizzo, ispezionare l'intero apparecchio per verificare che nessun elemento sia mancante e non siano presenti componenti danneggiati o allentati, ad esempio viti, dadi, bulloni, tappi, ecc. Serrare saldamente tutti i dispositivi di fissaggio e le coperture e non usare l'apparecchio finché tutti componenti mancanti o danneggiati non vengono sostituiti.

DESTINAZIONE D'USO

Questo prodotto è destinato ad abbattimento, diramatura, potatura e taglio a pezzi di alberi e legname.

ATTENZIONE! Usare l'apparecchio esclusivamente per gli scopi previsti. Altri utilizzi sono da considerarsi uso improprio.

AGGIUNGERE IL LUBRIFICANTE PER BARRA E CATENA

AVVERTENZA! Non fumare in prossimità dell'olio o della motosega e non avvicinare fonti di fuoco o fiamme.

L'olio può fuoriuscire e causare un incendio.

ATTENZIONE! La motosega è priva d'olio al momento dell'acquisto. È essenziale riempire il serbatoio con l'olio prima dell'uso. La catena viene automaticamente lubrificata con olio durante il funzionamento.

1. Posizionare la testa motore su un fianco, con il tappo del serbatoio dell'olio rivolto in avanti.
2. Pulire il tappo e l'area intorno ad esso, quindi ruotarlo in senso antiorario per rimuoverlo (Fig. N).
3. Versare con attenzione l'apposito olio nel serbatoio fino a raggiungere la fine del collo di riempimento.
4. Rimuovere eventuali eccedenze d'olio e riposizionare il tappo.

ATTENZIONE! In posizione verticale, l'olio deve riempire la finestra di osservazione. Quando l'olio non è più visibile nella finestra di osservazione, interrompere immediatamente l'uso e riempire il serbatoio.

INSTALLARE/RIMUOVERE IL GRUPPO BATTERIA

Ricaricare completamente prima del primo utilizzo

Installazione (Fig. O)

Allineare i rilievi sul gruppo batteria con le scanalature di assemblaggio e premere il gruppo batteria fino a udire un "clic".

Rimozione (Fig. P)

Premere il pulsante di rilascio della batteria ed estrarre il gruppo batteria.

AVVIARE/ARRESTARE LA MOTOSEGA

ATTENZIONE! Prima di avviare la motosega, controllare il livello dell'olio, l'affilatura dei denti di taglio della catena e il corretto funzionamento dell'impugnatura del freno catena. Assumere quindi una posizione in equilibrio e osservare una corretta distanza dal terreno.

Avvio

1. Spingere l'impugnatura del freno catena verso l'impugnatura anteriore della motosega per disinnestarlo (Fig. G).
2. Afferrare saldamente l'impugnatura anteriore e posteriore, usando entrambe le mani.
3. Per avviare la motosega, tenere premuto il pulsante di sbloccaggio, quindi premere l'interruttore a grilletto (Fig. Q). Rilasciare il pulsante di sbloccaggio e continuare a premere l'interruttore a grilletto per il funzionamento continuato.

AVVERTENZA! Non tentare di avviare la motosega quando la catena è all'interno di un taglio.

IT

Arresto

1. Rilasciare l'interruttore a grilletto.
2. Spingere l'impugnatura del freno catena in avanti per innestare il freno catena (Fig. G).

AVVERTENZA! Rimuovere sempre il gruppo batteria dalla motosega durante le pause e al termine del lavoro.

Presca corretta sulle impugnature (Fig. E)

- Indossare guanti antiscivolo per la massima aderenza e protezione.
- Con la motosega su una superficie solida e piana, tenere saldamente la motosega con entrambe le mani.
- Tenere sempre la mano destra sull'impugnatura posteriore e la mano sinistra sull'impugnatura anteriore.
- Le dita devono avvolgere l'impugnatura, con il pollice al di sotto dell'impugnatura anteriore.

AVVERTENZA! Non usare mai una presa mancina (a mani invertite) e non assumere mai posizioni in cui il corpo o il braccio si trovano oltre la linea della catena (Fig. R).

Posizione di taglio corretta (Fig. S)

- Entrambi i piedi devono poggiare su un terreno solido, con il peso distribuito uniformemente tra di essi.
- Il braccio sinistro deve essere teso, con il gomito bloccato per poter resistere alle forze generate dal contraccolpo.
- Il corpo deve sempre trovarsi a sinistra della linea della catena.

ISTRUZIONI RELATIVE ALLE TECNICHE CORRETTE DI ABBATTIMENTO ORDINARIO, DIRAMATURA E TAGLIO TRASVERSALE

AVVERTENZA! Mantenere sempre l'equilibrio e tenere la motosega con entrambe le mani mentre il motore è in funzione.

AVVERTENZA! Se la catena della motosega si è arrestata perché si è incastrata durante il taglio, rilasciare l'interruttore a grilletto; rimuovere catena e barra guida dal legno, quindi riavviare la motosega.

AVVERTENZA! Non tirare la motosega a mano quando è incastrata nella segatura. L'avvio accidentale della motosega a batteria comporta il rischio di lesioni gravi. Premere la motosega contro il legno e muoverla avanti e indietro per rimuovere i detriti. Rimuovere sempre il gruppo batteria prima della pulizia. Indossare guanti di protezione robusti durante la manipolazione della motosega.

AVVERTENZA! Non avviare mai la motosega quando è a contatto con il legno. Attendere sempre che la motosega raggiunga la massima velocità prima di avvicinarla al legno.

Abbattimento di un albero

- Se le operazioni di taglio a pezzi o abbattimento sono eseguite da due o più persone contemporaneamente, la distanza tra gli operatori che tagliano il legno e quelli che abbattano l'albero deve essere pari ad almeno due volte l'altezza dell'albero da abbattere. Gli alberi devono essere abbattuti in modo tale da evitare di causare pericolo per altre persone, colpire linee di alimentazione o provocare danni materiali. Se l'albero entra in contatto con una linea di alimentazione, informare immediatamente l'ente fornitore.
- Durante il taglio su terreni pendenti, l'operatore deve posizionarsi sempre a monte dell'albero, poiché è probabile che l'albero rotoli o scivoli in discesa dopo l'abbattimento.
- Predisporre e sgombrare una via di fuga prima di iniziare il taglio. La via di fuga deve condurre nella direzione diagonalmente opposta alla linea di caduta prevista, come illustrato in Fig. T.
- Per determinare la direzione di caduta dell'albero, prima dell'abbattimento è necessario valutare la pendenza naturale dell'albero, la posizione dei rami più grossi e la direzione del vento.
- Rimuovere dall'albero pietre, sporcizia, pezzi di corteccia, chiodi, graffette e cavi.

Taglio direzionale

Praticare un intaglio pari a 1/3 del diametro dell'albero, perpendicolarmente alla direzione di caduta, come illustrato in Fig. U. Praticare per primo l'intaglio inferiore orizzontale per evitare che la catena o la barra guida si incastrino durante l'esecuzione del secondo intaglio.

Taglio di abbattimento

- Praticare il taglio di abbattimento almeno 50 mm sopra l'intaglio direzionale orizzontale, come illustrato in Fig. U. Effettuare il taglio di abbattimento parallelamente rispetto all'intaglio direzionale orizzontale. Eseguire il taglio di abbattimento in modo tale da far rimanere una striscia di legno che funga da cerniera. La cerniera impedisce che l'albero possa girarsi e cadere nella direzione scorretta. Non tagliare la cerniera.
- Quando il taglio di abbattimento si avvicina alla cerniera, l'albero dovrebbe iniziare a cadere. Se si teme che l'albero non cada nella direzione desiderata o che possa piegarsi all'indietro e bloccare la catena della motosega, interrompere il taglio di abbattimento ed inserire cunei in legno, plastica o alluminio per aprire il taglio e dare all'albero la linea di caduta desiderata.

- Quando l'albero inizia a cadere, rimuovere la motosega dal taglio, arrestare il motore, posarla e abbandonare l'area di pericolo utilizzando la via di fuga programmata. Prestare attenzione al rischio di caduta di rami e a non inciampare.

Descrizione delle parti in Fig. T e U:

T-1	Direzione di abbattimento	U-2	Intaglio
T-2	Via di fuga sicura	U-3	Taglio di abbattimento
U-1	Direzione di caduta	U-4	Cerniera

Diramatura di un albero

La diramatura è il taglio dei rami da un albero abbattuto. Durante la diramatura, lasciare i rami inferiori più grandi affinché fungano da supporto per l'albero sul terreno. Rimuovere i rami più piccoli con un taglio solo, come illustrato in Fig. V. I rami in tensione devono essere tagliati dal basso verso l'alto per evitare che la catena della motosega rimanga incastrata.

Taglio in pezzi di un tronco

- Con questo termine si intende la suddivisione di un tronco in pezzi. Entrambi i piedi devono poggiare su un terreno solido, con il peso distribuito uniformemente tra di essi. Se possibile, il tronco deve essere rialzato e supportato da rami, travi o cunei. Seguire le istruzioni previste per facili operazioni di taglio.
- Quando il tronco è supportato per tutta la sua lunghezza, come illustrati in figura W1, deve essere tagliato dall'alto (taglio superiore).
- Quando il tronco è supportato da una sola estremità, come illustrato in Fig. W2, tagliare 1/3 del diametro dal basso (taglio inferiore). Quindi praticare il taglio finale dall'alto, fino a incontrare il primo taglio.
- Quando il tronco è supportato da entrambe le estremità, come illustrato in Fig. W3, tagliare 1/3 del diametro dall'alto (taglio superiore). Quindi praticare il taglio finale tagliando i 2/3 inferiori per incontrare il primo taglio.
- Durante il taglio su terreni pendenti, l'operatore deve posizionarsi sempre a monte del tronco, come illustrato in Fig. X.
- Per mantenere il completo controllo durante tutto il taglio, rilasciare la pressione di taglio verso il termine del taglio senza rilassare la presa sulle impugnature della motosega. Non lasciare che la catena entri in contatto con il terreno. Dopo aver completato il taglio, attendere che la motosega si arresti prima di spostarla. Spegnerne sempre il motore prima di spostarsi da un albero all'altro.

MANUTENZIONE

AVVERTENZA! Per la riparazione dell'apparecchio, usare esclusivamente parti di ricambio identiche. L'uso di altri ricambi comporta situazioni pericolose o il rischio di danni all'apparecchio.

AVVERTENZA! Indossare sempre guanti protettivi durante le operazioni di manutenzione sulla catena.

AVVERTENZA! Per evitare lesioni gravi, rimuovere sempre il gruppo batteria dalla motosega prima delle operazioni di ispezione, pulizia o manutenzione. Un apparecchio elettrico con il gruppo batteria inserito è sempre acceso e può avviarsi accidentalmente.

AVVERTENZA! Durante la pulizia della motosega. NON immergerla in acqua o altri liquidi.

AVVERTENZA! Impedire il contatto di liquido per freni, benzina, prodotti a base di petrolio, oli penetranti, ecc. con le parti in plastica. Le sostanze chimiche possono danneggiare, indebolire o distruggere la plastica, comportando il rischio di lesioni gravi.

IT

PULIZIA

- Dopo ogni utilizzo, rimuovere i detriti da barra e catena con un pennello morbido. Pulire la superficie della motosega con un panno pulito inumidito con acqua saponata.
- Rimuovere la copertura laterale, quindi usare un pennello morbido per rimuovere i detriti da barra guida, catena, pignone e copertura laterale.
- Rimuovere sempre frammenti di legno, segatura e sporizia dalla scanalatura della barra guida durante la sostituzione della catena della motosega.

SOSTITUIRE BARRA E CATENA

AVVERTENZA! Non toccare o regolare la catena quando il motore è in funzione. La catena è molto affilata.

ATTENZIONE! Per la sostituzione di barra guida e catena, usare sempre la specifica combinazione di barra e catena riportata nel manuale.

Disassemblare il gruppo barra e catena (Fig. Y)

1. Rimuovere la batteria, attendere che la motosega si raffreddi e serrare il tappo del serbatoio dell'olio.
2. Posizionare la testa motore su un fianco, con la copertura laterale rivolta verso l'alto.
3. Indossare i guanti. Rimuovere la copertura laterale ruotando la manopola della copertura laterale in senso antiorario. Pulire la copertura laterale con un panno asciutto.

ATTENZIONE! Questo è il momento ideale per ispezionare il pignone e verificare che non sia danneggiato o usurato eccessivamente.

Assemblare il nuovo gruppo barra e catena

Seguire le istruzioni dal passaggio alla sezione **ASSEMBLARE/SOSTITUIRE BARRA E CATENA** in questo manuale.

Regolare la tensione della catena

Seguire le istruzioni riportate alla sezione **REGOLARE LA TENSIONE DELLA CATENA** in questo manuale.

MANUTENZIONE DELLA CATENA

AVVERTENZA! Indossare sempre guanti durante la manipolazione della catena perché è affilata e può presentare bavature.

Usare esclusivamente catene a riduzione del contraccolpo su questa motosega. Questa catena a taglio rapido riduce il rischio di contraccolpo se viene mantenuta in buono stato.

Una catena affilata correttamente effettua tagli nel legno senza sforzo, anche esercitando molta poca pressione.

Non usare mai una catena smussata o danneggiata. Una catena smussata comporta l'aumento dello sforzo fisico e del carico di vibrazioni, risultati di taglio non soddisfacenti e una maggiore usura.

Per un taglio rapido e omogeneo, la catena deve essere mantenuta in buono stato. La catena necessita di affilatura quando i frammenti di legno sono piccoli e polverosi, se è necessario forzare la catena nel legno durante il taglio o la catena taglia da un lato. Durante la manutenzione della catena, tenere in considerazione i seguenti punti:

- Un angolo di taglio laterale scorretto può aumentare il rischio di contraccolpo.
- Profondità di taglio. Troppo bassa aumenta il rischio di contraccolpo. Non abbastanza bassa riduce l'efficienza di taglio.
- Se i taglienti hanno urtato oggetti duri, come chiodi e pietre, o sono stati abrasati da fango o sabbia nel legno, affidare l'affilatura della catena a un tecnico qualificato.

ATTENZIONE! Ispezionare il pignone per verificare che non sia danneggiato o usurato durante la sostituzione della catena. Se sono presenti segni di danneggiamento o usura nelle aree indicate, affidare la sostituzione del pignone a un tecnico qualificato.

MANUTENZIONE DELLA BARRA GUIDA

Quando la barra guida mostra segni di usura, invertirla sulla motosega per distribuire l'usura e massimizzare la durata di vita della barra. La barra deve essere pulita ogni giorno di utilizzo e ispezionata per verificare che non sia usurata o danneggiata. La bavatura o smussatura dei binari della barra è un normale processo dell'usura della barra. Tali difetti devono essere immediatamente corretti con una lima. Una barra con i difetti riportati di seguito deve essere sostituita.

- Usura all'interno dei binari della barra che permette alla catena di girarsi di lato.
- Barra guida piegata.
- Binari incrinati o rotti.
- Allargatura dei binari.

Inoltre, la barra guida è dotata di un pignone sulla punta (Fig. A-20). Tale pignone deve essere lubrificato settimanalmente con una apposita siringa per estendere la durata di vita della barra guida. Usare una apposita siringa per lubrificarlo settimanalmente con olio per catena attraverso il foro di lubrificazione (Fig. A-19). Capovolgere la barra guida e controllare che i fori di lubrificazione e la scanalatura della barra siano privi di impurità.

TRASPORTO E CONSERVAZIONE

- Non conservare o trasportare la motosega quando è in funzione. Rimuovere sempre il gruppo batteria prima di riporla o trasportarla.
- Installare sempre la copertura della barra guida su barra e catena prima di riporre o trasportare la motosega. Prestare attenzione per evitare i denti affilati della catena.
- Pulire accuratamente la motosega prima di riporla. Conservare la motosega in interni, in un luogo asciutto, al chiuso e/o inaccessibile ai bambini.
- Tenerla al riparo da agenti corrosivi, ad esempio sostanze chimiche per il giardinaggio e sale per disgelo.

Protezione dell'ambiente



Non smaltire gli apparecchi elettrici, caricabatteria e batterie/batterie ricaricabili insieme ai rifiuti indifferenziati!

Conformemente alle direttive europee 2012/19/EU e 2006/66/CE, i rifiuti di apparecchiature elettriche ed elettroniche, pile e accumulatori devono essere raccolti separatamente e smaltiti nel rispetto dell'ambiente.

Se gli apparecchi elettrici vengono smaltiti nelle discariche, le sostanze pericolose possono infiltrarsi nelle falde acquifere e contaminare la catena alimentare, con effetti dannosi sulla salute e il benessere.

DICHIARAZIONE DI CONFORMITÀ CE

Il costruttore, CHERVON EUROPE LTD.
47 CASTLE STREET, READING, RG1 7SR, UNITED KINGDOM

Dichiara che la **motosega a batteria li-ion 56 V CS1400E/CS1600E** è conforme ai requisiti essenziali in materia di salute e sicurezza delle seguenti direttive: 2006/42/EC, 2004/108/EC, 2011/65/EU, 2000/14/EC

Standard e specifiche tecniche conformi a:

EN 60745-1, EN 60745-2-13, EN 55014-1, EN 55014-2

	CS1400E	CS1600E
Livello di potenza sonora misurato:	96,73 dB(A)	96,4 dB(A)
Livello di potenza sonora garantito:	100 dB(A)	99 dB(A)

IT

Peter Melrose
Vice Presidente Chervon Europe

Dong Jianxun
Responsabile Qualità Chervon

* (Rappresentante autorizzato per CHERVON e responsabile della documentazione tecnica)

01/01/2016

Nome, indirizzo e numero di identificazione del corpo notificato:
TÜV Rheinland LGA Products GmbH; Tillystra 2 D - 90431 Nürnberg, Germany; 0197.

Numero del certificato di esame-tipo CE:
BM 50326004 0001 (CS1600E)
BM 50296271 0001 (CS1400E)

RISOLUZIONE DEI PROBLEMI

⚠ AVVERTENZA! Proteggere sempre le mani indossando guanti robusti durante qualsiasi operazione di manutenzione sulla motosega. Rimuovere sempre il gruppo batteria durante la riparazione o il trasporto della motosega.

IT

PROBLEMA	CAUSA	SOLUZIONE
Il motore non funziona.	<ul style="list-style-type: none"> ■ Il gruppo batteria non è installato sulla motosega. ■ Il contatto elettrico tra la motosega e la batteria è mancante. ■ Il gruppo batteria è scarico. ■ Il gruppo batteria o la motosega sono troppo caldi. ■ Il pulsante di sbloccaggio non è stato premuto prima di premere l'interruttore a grilletto. ■ Il freno catena è innestato. ■ La motosega è incastrata nel legno. ■ Detriti nella scanalatura della barra. ■ Detriti nella copertura laterale. 	<ul style="list-style-type: none"> ■ Installare il gruppo batteria sulla motosega. ■ Rimuovere la batteria, ispezionare i contatti e reinstallare il gruppo batteria. ■ Ricaricare il gruppo batteria. ■ Attendere che la temperatura del gruppo batteria o della motosega scenda al di sotto di 67°C. ■ Per avviare la motosega, tenere premuto il pulsante di sbloccaggio, quindi premere l'interruttore a grilletto. ■ Tirare l'impugnatura del freno all'indietro verso l'impugnatura frontale. ■ Rilasciare l'interruttore a grilletto; rimuovere catena e barra guida dal legno, quindi riavviare la motosega. ■ Premere la motosega contro il legno e muoverla avanti e indietro per rimuovere i detriti. ■ Rimuovere il gruppo batteria, quindi rimuovere la copertura laterale e pulite i detriti.
Il motore funziona ma la catena non ruota.	<ul style="list-style-type: none"> ■ La catena non ingrana il pignone. 	<ul style="list-style-type: none"> ■ Reinstallare la catena, accertandosi che le maglie di trascinamento sulla catena siano posizionate completamente sul pignone.
Il freno catena non si innesta.	<ul style="list-style-type: none"> ■ I detriti impediscono il movimento completo dell'impugnatura del freno catena. ■ Malfunzionamento del freno catena. 	<ul style="list-style-type: none"> ■ I detriti impediscono il movimento completo dell'impugnatura del freno catena. ■ Malfunzionamento del freno catena.

PROBLEMA	CAUSA	SOLUZIONE
La motosega non taglia correttamente.	<ul style="list-style-type: none"> ■ Tensione della catena insufficiente. ■ Catena smussata. ■ Catena installata in senso inverso. ■ Catena usurata. ■ Catena secca o eccessivamente allungata. ■ La catena non è nella scanalatura della barra. 	<ul style="list-style-type: none"> ■ Regolare nuovamente la tensione della catena, come descritto alla sezione “REGOLARE LA TENSIONE DELLA CATENA”. ■ Affilare i taglienti, come descritto alla sezione “COME AFFILARE I TAGLIENTI”. ■ Reinstallare la catena della motosega, come descritto alla sezione “SOSTITUIRE BARRA E CATENA”. ■ Sostituire la catena, come descritto alla sezione “SOSTITUIRE BARRA E CATENA”. ■ Controllare il livello dell'olio. Riempire il serbatoio dell'olio, se necessario. ■ Reinstallare la catena della motosega, come descritto alla sezione “SOSTITUIRE BARRA E CATENA”.
Barra e catena diventano calde ed emettono fumo.	<ul style="list-style-type: none"> ■ La catena è eccessivamente tesa. ■ Il serbatoio dell'olio è vuoto. ■ Detriti nella scanalatura della barra guida. 	<ul style="list-style-type: none"> ■ Regolare la tensione della catena della motosega, come descritto alla sezione “REGOLARE LA TENSIONE DELLA CATENA”. ■ Aggiungere il lubrificante per barra e catena. ■ Eliminare i detriti nella scanalatura.

IT

GARANZIA

CONDIZIONI DELLA GARANZIA EGO

Visitare il sito web egopowerplus.com per consultare le condizioni complete della garanzia EGO.

LEES ALLE INSTRUCTIES!



LEES EN BEGRIJP DE GEBRUIKERSHANDLEIDING

⚠ Restrisico! Personen met elektronische apparaten, zoals pacemakers, moeten eerst hun art(sen) raadplegen voordat ze dit product mogen gebruiken. De werking van een elektrisch apparaat in de nabijheid van een pacemaker kan een storing of defect aan de pacemaker veroorzaken.

⚠ WAARSCHUWING: Om een continue veiligheid en betrouwbaarheid te waarborgen, dienen alle reparaties en vervangingen van onderdelen uitgevoerd te worden door een vakbekwame reparateur.

VEILIGHEIDSSYMBOLEN

NL

Het doel van de veiligheidssymbolen is om u te wijzen op mogelijke gevaren. Besteed daarom voldoende aandacht hieraan en begrijp de veiligheidssymbolen en bijbehorende uitleg. De symboolwaarschuwingen op zich elimineren geen enkel gevaar. De gegeven instructies en waarschuwingen gelden niet als vervanging voor gepaste voorzorgsmaatregelen tegen ongevallen.

⚠ WAARSCHUWING: Lees en begrijp alle veiligheidsinstructies die in deze gebruikershandleiding zijn vermeld, waaronder alle veiligheidssymbolen zoals "GEVAAR", "WAARSCHUWING", en "OPGELET" voordat u dit apparaat in gebruik neemt. Het negeren van onderstaande instructies kan leiden tot elektrische schokken, brand en/of ernstig persoonlijk letsel.

BETEKENIS VAN DE SYMBOLEN

WAARSCHUWINGSSYMBOL: Geeft GEVAAR, WAARSCHUWING of OPGELET aan. Kan worden gebruikt in combinatie met andere symbolen of pictogrammen.

⚠ WAARSCHUWING: De werking van het apparaat kan leiden tot het rondslingeren van (vreemde) objecten die in uw ogen kunnen terechtkomen. Dit kan leiden tot ernstig oogletsel. Wanneer u elektrische apparaten gebruikt, zorg er dan voor dat u altijd een veiligheidsbril (met zijschermen) of een gelaatsscherm draagt. We bevelen aan om een gelaatsscherm over uw bril of standaard veiligheidsbril met zijschermen te gebruiken.

VEILIGHEIDSVOORSCHRIFTEN

Deze pagina toont en beschrijft alle veiligheidssymbolen die zich op dit product kunnen bevinden. Lees, begrijp en volg alle instructies op de machine voordat u deze in elkaar zet en gebruikt.

	Veiligheidswaarschuwing	Geeft een risico op persoonlijk letsel aan.
	Lees de gebruikershandleiding zorgvuldig door	De gebruiker moet de gebruikershandleiding lezen om het risico op letsel te beperken
	Draag oogbescherming	Draag altijd een veiligheidsbril met zijschermen en een gelaatsscherm als u dit product gebruikt.
	Draag oorbescherming	Draag altijd gehoorbescherming wanneer u dit product gebruikt.
	Draag hoofdbescherming	Draag een goedgekeurde veiligheidshelm om uw hoofd te beschermen.
	Draag beschermende handschoenen	Bescherm uw handen met handschoenen bij de omgang met zaag en zaagketting. Robuuste, niet glijdende handschoenen verbeteren uw grip en beschermen uw handen.
	Zaagblad	Informatie over het zaagblad.
	Pas op voor een terugslag	Voorkom ieder contact van de punt van het zaagblad met ieder willekeurig voorwerp
	Terugslag van de punt van het zaagblad	Het contact van de punt van het zaagblad kan ervoor zorgen dat het zaagblad snel naar boven of naar achteren beweegt, wat op zijn beurt ernstig letsel kan veroorzaken.
	Tweehandige greep	Gebruik altijd twee handen bij het bedienen van de kettingzaag

	Niet aan regen blootstellen	Gebruik het apparaat niet in de regen en laat het tevens niet buiten achter als het regent.
	CE	Dit product voldoet aan de van toepassing zijnde EC-richtlijnen.
	Lawaai	Gegarandeerd geluidvermogensniveau. Geluidsemissie voor de omgeving volgens de Richtlijnen van de Europese Gemeenschap.
	WEEE	Afgedankte elektrische producten mogen niet via het huishoudelijk afval worden afgevoerd. Breng het naar een geautoriseerde afvalverwijderaar.
V	Volt	Spanning
A	Ampère	Stroom
Hz	Hertz	Frequentie (cycli per seconde)
W	Watt	Vermogen
min	Minuten	Tijd
	Wisselstroom	Stroomtype
	Gelijkstroom	Stroomtype of -karakteristiek
n_0	Snelheid zonder belasting	Draaisnelheid, zonder belasting
... /min	Per minuut	Toeren per minuut

ALGEMENE VEILIGHEIDSWAARSCHUWINGEN VOOR ELEKTRISCH GEREEDSCHAP

⚠ WAARSCHUWING: Lees alle veiligheidsaarschuwingen en instructies zorgvuldig door. Het negeren van de waarschuwingen en instructies kan leiden tot elektrische schokken, brand en/of ernstig letsel.

Bewaar alle waarschuwingen en instructies voor latere raadpleging.

De term “elektrisch gereedschap” in de waarschuwingen verwijst naar uw op het voedingsnet aangedreven (met snoer) handgereedschap of accu-aangedreven (snoerloos) handgereedschap.

VEILIGHEID OP DE WERKPLAATS

- **Houd uw werkplaats schoon en goed verlicht.** Rommelige of donkere ruimten kunnen ongevallen veroorzaken.
- **Gebruik elektrisch gereedschap niet in explosieve omgevingen, zoals in de aanwezigheid van ontvlambare vloeistoffen, gassen of stof.** Handgereedschap creëert vonken en deze kunnen stof of dampen in brand steken.
- **Houd kinderen en omstanders uit de buurt wanneer u een elektrisch gereedschap bedient.** Aflleiding kan tot controleverlies leiden.

ELEKTRISCHE VEILIGHEID

- **De stekker van het elektrisch gereedschap moet met het stopcontact overeenstemmen. Pas de stekker op geen enkele manier aan. Gebruik geen adapterstekker met geaard elektrisch gereedschap.** Niet aangepaste stekkers en overeenkomstige stopcontacten beperken het risico op elektrische schokken.
- **Vermijd lichaamscontact met geaarde oppervlakken, zoals pijpleidingen, radiatoren, fornuizen of koelkasten.** Het risico op een elektrische schok is groter als uw lichaam geaard is.
- **Stel elektrisch gereedschap niet bloot aan regen of vochtige omstandigheden.** Water dat elektrisch gereedschap binnendringt, vergroot het risico op elektrische schokken.
- **Gebruik het snoer niet op een verkeerde manier. Gebruik het snoer nooit om het elektrisch gereedschap te dragen of mee te trekken of om de stekker uit het stopcontact te halen. Houd het snoer uit de buurt van hitte, olie, scherpe randen en bewegende onderdelen.** Beschadigde of verstrikte snoeren vergroten het risico op elektrische schokken.
- **Wanneer u een elektrisch gereedschap buitenshuis bedient, gebruik een verlengsnoer dat voor gebruik buitenshuis is geschikt.** Het gebruik van een snoer dat voor gebruik buitenshuis is geschikt verkleint het risico op elektrische schokken.
- **Als het gebruik van elektrisch gereedschap in een vochtige ruimte noodzakelijk is, gebruik dan een verliesstroomautomaat.** Het gebruik van een verliesstroomautomaat verkleint het risico op elektrische schokken.

NL

PERSOONLIJKE VEILIGHEID

- **Wees waakzaam, let op wat u doet en gebruik uw gezond verstand wanneer u elektrisch gereedschap gebruikt. Gebruik het elektrisch gereedschap niet als u moe bent of onder de invloed bent van drugs, alcohol of medicijnen.** Een moment van onoplettendheid tijdens de werking van het elektrisch gereedschap kan leiden tot ernstig persoonlijk letsel.
- **Gebruik persoonlijke beschermingsuitrusting. Draag altijd oogbescherming.** Beschermingsuitrusting zoals een stofmasker, slipvast werkschoenen, veiligheidshelm of gehoorbescherming afhankelijk van de aard en het gebruik van het gereedschap verkleint het risico op persoonlijk letsel.
- **Vermijd dat het gereedschap per ongeluk wordt gestart. Zorg dat de schakelaar op de positie Uit is ingesteld voordat u het gereedschap op een stroombron en/of accupack aansluit, vastneemt of draagt.** Het dragen van elektrisch gereedschap met uw vinger op de schakelaar of gereedschap ingeschakeld op de stroomvoorziening aansluiten kan ongevallen veroorzaken.
- **Verwijder instelsleutels of moersleutels voordat u het elektrisch gereedschap inschakelt.** Een instelsleutel of moersleutel in een draaiend deel van het elektrisch gereedschap achterlaten kan leiden tot persoonlijk letsel.
- **Reik niet te ver. Zorg er altijd voor dat u stevig en stabiel staat.** Dit zorgt ervoor dat u het elektrisch gereedschap in onverwachte situaties beter onder controle kunt houden.
- **Draag passende kleding. Draag geen loshangende kleding of juwelen. Houd uw haar, kleding en handschoenen uit de buurt van bewegende onderdelen.** Loshangende kleding, juwelen en lang haar kunnen in bewegende onderdelen verstrikt raken.
- **Wanneer de montage van stofzuigings- of stofopvangvoorzieningen mogelijk is, dient u ervoor te zorgen dat deze juist aangesloten en gebruikt worden.** Het gebruik van voorzieningen voor stofopvang kan helpen om het risico in verband met stof te verlagen.

ELEKTRISCH GEREEDSCHAP GEBRUIKEN EN ONDERHOUDEN

- **Overbelast het elektrisch gereedschap niet. Gebruik het juiste elektrisch gereedschap voor uw toepassing.** Met het juiste elektrisch gereedschap werkt u beter en veiliger binnen het aangegeven capaciteitsbereik.

- **Gebruik het elektrisch gereedschap niet als de schakelaar niet kan worden in- en uitgeschakeld.** Elektrisch gereedschap dat niet kan worden in- of uitgeschakeld is gevaarlijk en moet worden gerepareerd.
- **Trek de stekker uit het stopcontact en/of ontkoppel het accupack voordat u het elektrisch gereedschap instelt, accessoires vervangt of het gereedschap opbergt.** Deze preventieve voorzorgsmaatregelen beperken het risico op onbedoeld starten van het elektrisch gereedschap.
- **Berg niet-gebruikt gereedschap op buiten het bereik van kinderen en zorg ervoor dat personen die niet vertrouwd zijn met het gereedschap of die deze instructies niet hebben gelezen het gereedschap niet gebruiken.** Elektrisch gereedschap is gevaarlijk wanneer deze door onervaren personen worden gebruikt.
- **Draag goed zorg voor uw elektrisch gereedschap. Controleer of de bewegende onderdelen correct functioneren en niet vastklemmen en of de onderdelen zodanig gebroken of beschadigd zijn dat de werking van het elektrisch gereedschap nadelig wordt beïnvloedt. Laat beschadigde onderdelen repareren voordat u het elektrisch gereedschap gebruikt.** Vele ongevallen worden veroorzaakt door slecht onderhouden elektrisch gereedschap.
- **Houd de snij-onderdelen scherp en schoon.** Zorgvuldig onderhouden snij-onderdelen met scherpe snijkanten klemmen minder snel vast en zijn gemakkelijker te bedienen.
- **Gebruik het elektrisch gereedschap, accessoires en inzetgereedschap etc. in overeenstemming met deze instructies en houd hierbij rekening met de werkomstandigheden en de uit te voeren werkzaamheden.** Het gebruik van elektrische gereedschap voor andere dan de voorziene toepassingen kan tot gevaarlijke situaties leiden.

ACCUGEREEDSCHAP GEBRUIKEN EN ONDERHOUDEN

- **Laad alleen op met de lader die door de fabrikant is gespecificeerd.** Een lader die geschikt is voor één type van accupack kan tot brandgevaar leiden wanneer gebruikt met een andere accupack.
- **Gebruik elektrisch gereedschap alleen met het specifiek aangegeven accupack.** Het gebruik van andere accupacks kan risico op letsel en brandgevaar veroorzaken.
- **Wanneer u het accupack niet gebruikt, houd het uit de buurt van andere metalen voorwerpen zoals paperclips, muntstukken, sleutels, spijkers, schroeven of andere kleine metalen voorwerpen die de twee aansluitklemmen kunnen verbinden.** Het kortsluiten van de aansluitklemmen kan brandwonden of brand veroorzaken.

- **Bij verkeerd gebruik kan er vloeistof uit de accu worden gespoten; vermijd elk contact. Als aanraking met de vloeistof toevallig plaatsvindt, dient u het met water af te spoelen. Als de vloeistof in de ogen komt dient u onmiddellijk een arts te consulteren.** Vloeistof dat uit de accu wordt gespoten kan irritaties of brandwonden veroorzaken.

SERVICE

- **Laat uw elektrisch gereedschap repareren door een gekwalificeerde reparateur en alleen met identieke reserve-onderdelen.** Dit waarborgt de veiligheid van het handgereedschap.

KETTINGZAAG VEILIGHEIDSWAARSCHUWINGEN

- **Houd alle lichaamsdelen uit de buurt van de zaagketting wanneer de kettingzaag wordt gebruikt. Voordat u de kettingzaag start, dient u te controleren dat de zaagketting niets aanraakt.** Een moment van onoplettendheid bij het gebruik van de kettingzaag kan verstremeling van uw kleding of lichaam met de ketting veroorzaken.
- **Houd de kettingzaag altijd met uw rechterhand op het achterste handvat en uw linkerhand op het voorste handvat vast.** Als u de kettingzaag met de handen andersom vasthoudt, verhoogt het risico op persoonlijk letsel en dit mag nooit gebeuren.
- **Houd het elektrisch gereedschap alleen bij de geïsoleerde handgrepen vast, het zaagketting kan in aanraking komen met verborgen bedrading.** Zaagkettingen die met een draad onder stroom in aanraking komen kunnen de blootgestelde metalen onderdelen van het handgereedschap onder stroom plaatsen en de gebruiker een elektrische schok geven.
- **Draag een veiligheidsbril en gehoorbescherming. Verdere beschermende uitrusting voor hoofd, handen, benen en voeten wordt aanbevolen.** Geschikte beschermende kleding vermindert het risico op persoonlijk letsel door vliegend vuil of per ongeluk contact met de zaagketting.
- **Gebruik de kettingzaag niet in een boom.** Het gebruik van een kettingzaag terwijl men in een boom zit kan tot persoonlijk letsel leiden.
- **Zorg altijd voor een stabiele stand terwijl u de kettingzaag gebruikt. Sta altijd op een stevige, veilige en vlakke ondergrond.** Gladde of instabiele oppervlakken zoals ladders kan een verlies van evenwicht of de controle van de kettingzaag veroorzaken.
- **Terwijl u in een voorwerp dat onder spanning staat zaagt, moet u met een terugslag rekenen.** Als de spanning in de houtvezels verdwijnt kan het onder spanning staande voorwerp de bediener raken en/of de kettingzaag oncontroleerbaar maken.

- **Wees uiterst voorzichtig bij het zagen van takken en jonge boompjes.** Het dunne materiaal kan door de zaagketting worden vastgegrepen en in uw richting worden geslingerd of u uit balans trekken.
- **Draag de kettingzaag aan het voorste handvat met de kettingzaag uitgeschakeld en uit de buurt van uw lichaam. Tijdens het transport of de opslag van de kettingzaag dient u altijd de kettingzaaghoes te gebruiken.** Een correcte omgang met de kettingzaag vermindert het risico op per ongeluk contact met de bewegende zaagketting.
- **Volg de instructies over smering, spanning van de ketting en het vervangen van accessoires.** Incorrect gespannen of gesmeerde kettingen kunnen stuk gaan of het risico op een terugslag verhogen.
- **Houd de handvatten droog, schoon en vrij van olie en smeervet.** Vettige, olieachtige handvatten zijn glad waardoor u de controle kunt verliezen.
- **Zaag alleen hout. Gebruik de kettingzaag alleen voor het beoogde doeleinde. Bijvoorbeeld: Gebruik de kettingzaag niet voor het zagen van kunststof, metselwerk of niet-houten bouwmaterialen.** Het gebruik van de kettingzaag voor andere dan de voorziene toepassingen kan tot gevaarlijke situaties leiden.

NL

OORZAKEN EN PREVENTIE VAN EEN TERUGSLAG (afb. B, C, D & E)

Een terugslag kan optreden wanneer de neus of de voorkant van het zaagblad een voorwerp aanraakt of als het hout steviger wordt en de zaagketting in de zaagsnede vast houdt.

Het contact van de punt kan een plotselinge tegengestelde reactie veroorzaken, waardoor het zwaard naar boven en naar achteren in richting van de gebruiker wordt geslingerd (afb. B).

De kettingzaag langs de bovenkant van het zwaard gebruiken kan het zaagblad snel terug laten slingeren in richting van de gebruiker.

Afb. B & C beschrijving van het gebruik zie beneden:

B-1	Draaiende terugslag
C-1	Lineaire terugslag

Een van deze reacties kan tot het verlies van controle of de zaag leiden wat in ernstig persoonlijk letsel kan resulteren. Vertrouw niet uitsluitend op de veiligheidsvoorzieningen die zijn ingebouwd in uw zaag.

Als gebruiker van de kettingzaag dient u enkele stappen te ondernemen om uw zaagwerk vrij van ongelukken of letsel te houden.

Een terugslag is het resultaat van het verkeerd gebruik en/of verkeerde bediening of werkomstandigheden en kan worden voorkomen door de juiste voorzorgsmaatregelen te nemen:

- **Behoud een stevige grip, met de duimen en vingers om de handgrepen van de kettingzaag, en beide handen op de zaag en breng uw lichaam en armen in een positie waar u de krachten van de terugslag kunt opvangen (afb. E).** De krachten van een terugslag kunnen door de bediener worden opgevangen als er geschikte voorzorgsmaatregelen worden genomen. Laat de kettingzaag niet los.
- **Leun niet naar voren en zaag niet boven schouderhoogte.** Dit helpt onbedoeld contact van de punt te voorkomen en maakt een betere controle van de kettingzaag en onverwachte situaties mogelijk.
- **Gebruik alleen vervangende zwaarden en kettingen die door de fabrikant worden aangeraden.** Verkeerde vervangende zwaarden en kettingen kunnen ertoe leiden dat de ketting breekt en/of een terugslag.
- **Neem de slijp- en onderhoudsinstructies voor de kettingzaag van de fabrikant in acht.** Het verminderen van de diepte kan leiden tot een verhoogde terugslag.
- **Zorg ervoor dat het gebied waar u werkt vrij van obstakels is.** Vermijd contact van de neus van het zaagblad met een blok, tak, hek of welk ander obstakel dan ook terwijl u de zaag gebruikt.
- **Zaag altijd op volle toeren.** Druk de drukschakelaar helemaal in en houd de zaag op snelheid.
- **Met een basiskennis van terugslag kunt u het verrassingsmoment verminderen of elimineren.** Plotselinge verrassingen dragen bij aan ongevallen.
- **Zorg er altijd voor dat u stevig en stabiel staat.**
- **Drukken en trekken** - de reactiekracht is altijd in de tegengestelde richting van de beweging van ketting waar contact wordt gemaakt met het hout. Daarom moet de bediener gereed zijn om de TREK te controleren als hij met het onderste gedeelte van het zaagblad zaagt, en de DRUK als hij langs het bovenste gedeelte zaagt (afb. F).

TERUGSLAG VEILIGHEIDSRICHTINGEN VAN DEZE KETTINGZAAG

Kettingrem

De kettingzaag is uitgerust met een kettingrem, die zowel de motor en de beweging van de ketting in geval van een terugslag stopt. De kettingrem kan geactiveerd worden door de voorwaartse beweging van de ketting terugslag remhendel als de zaag naar achteren draait tijdens de terugslag; hij kan ook geactiveerd worden door de traagheidskrachten die ontstaan door een snelle terugslag.

⚠ WAARSCHUWING: Pas de kettingrem nooit aan en probeer hem nooit buiten werking te zetten.

Zorg ervoor dat de kettingrem correct werkt voordat u de kettingzaag in gebruik neemt. De ketting terugslag remhendel moet makkelijk heen en weer kunnen bewegen.

Om de werking van de kettingrem te testen, voert u de volgende stappen uit (afb. G):

- Plaats de kettingzaag op een vlak oppervlak en zorg ervoor dat zich geen voorwerpen of obstakels in de directe omgeving bevinden die in contact kunnen komen met het zaagblad en de ketting.
- Laat de kettingrem los door de ketting terugslag remhendel naar de voorste handgreep te bewegen.
- Start de kettingzaag.
- Druk de ketting terugslag remhendel naar de voorzijde van de zaag. Een goed werkende handrem zal de beweging van de ketting direct onderbreken. Als de kettingrem niet goed werkt, mag u de motorkettingzaag niet gebruiken totdat hij is gerepareerd door een gekwalificeerde servicemonteur.

Afb. G beschrijving van het gebruik zie beneden:

G-1	Ketting terugslag remhendel in gebruikspositie
G-2	Ketting terugslag remhendel in rempositie

⚠ WAARSCHUWING: Controleer of de kettingrem goed werkt voor elk gebruik.

⚠ WAARSCHUWING: Als de kettingrem wordt verstopt door houtsnippers, kan de werking van de kettingrem verslechteren. Houd het toestel altijd schoon.

Zaagketting met geringe terugslag

De harken (dieptemeters) voorop aan iedere zaag kunnen de kracht van een terugslagreactie verminderen door te voorkomen dat de zaag te diep in de terugslagzone zaagt. Gebruik alleen een vervangende ketting die gelijkwaardig is aan de originele ketting en die gecertificeerd is.

⚠ OPGELET: Aangezien kettingzagen gedurende hun levensduur worden geslepen, verliezen zij een beetje van de geringe terugslag kwaliteiten waardoor u extra opletend dient te zijn.

AANVULLENDE WAARSCHUWINGEN

- **Een kettingzaag is bedoeld voor tweehandig gebruik.** Ernstig letsel van de bediener, helpers en/of omstanders kunnen het gevolg zijn van eenhandige bediening.

- **Voorkom onbedoeld contact met de stationaire zaagketting of zaagblad.** Deze kunnen zeer scherp zijn. Draag altijd handschoenen en een lange broek of chaps tijdens het hanteren met de kettingzaag, zaagketting, of het zaagblad.
 - **Gebruik nooit een beschadigde of niet correct aangepaste of niet compleet of veilig gemonteerde kettingzaag.** Zorg ervoor dat de zaagketting stopt als de drukschakelaar wordt losgelaten.
 - **Inspecteer het werkstuk op spijkers, draden of vreemde voorwerpen voordat u begint met zagen.**
 - **Bij het inkorten dient u het werkstuk vast te zetten voorafgaand aan het zagen. Tijdens het kappen of snoeien, dient u de gevaarlijke takken te beveiligen.**
 - **Aggressief zagen of misbruik van de kettingzaag kan voortijdig slijtage van het zaagblad, de ketting en/of kettingwiel veroorzaken, maar ook een gebroken zwaard of blad, het veroorzaken van een terugslag of het uitwerpen van materiaal.**
 - **Gebruik het zaagblad nooit als hefboom.** Een gebogen zaagblad kan voortijdig slijtage van het zaagblad, de ketting en/of kettingwiel veroorzaken, maar ook een gebroken zwaard of blad, het veroorzaken van een terugslag of het uitwerpen van materiaal.
 - **Zaag slechts één werkstuk per keer.**
 - **Gebruik alleen met EGO's accupacks en opladers.**
- | BATTERIJ | LADER |
|--|------------------|
| BA1120E, BA2240E, BA2800, BA3360, BA4200 | CH5500E, CH2100E |
- **Laak het accupack niet op als het regent of in een natte omgeving.**
 - **Plan het werk, zorg ervoor dat uw werkgebied vrij van obstakels is en in geval van kappen dient u voor tenminste één vluchtweg weg van de vallende boom te zorgen.**
 - **Tijdens het kappen dient u omstanders op tenminste twee boomlengten afstand te houden.**
 - **Als er zich situaties voordoen welke niet in deze handleiding zijn behandeld, gebruik uw gezond verstand. Neem contact op met de klantenservice van EGO als u hulp nodig heeft.**

ZAAGBLAD

Deze zaag is uitgerust met een zaagblad dat een neus met kleine radius heeft. Neuzen met kleine radii hebben over het algemeen een geringere kans op terugslag. Als u het zaagblad vervangt, dient u ervoor te zorgen, dat deze ook in de lijst van deze gebruikershandleiding staat.

BEWAAR DEZE GEBRUIKSAANWIJZING!

SPECIFICATIES

Model	CS1400E	CS1600E
Spanning	56 V ---	56 V ---
Lengte zaagblad	350 mm	400 mm
Kettingsteek	9,5 mm	9,5 mm
Kettingpeilmeter	1,1 mm	1,1 mm
Zaag kettingtype	90PX052X (Oregon)	90PX052X (Oregon) 90PX056X (Oregon)
Zaagblad type	144MLEA041 (Oregon)	144MLEA041 (Oregon) 164MLEA041 (Oregon)
Kettingolie tankcapaciteit	150 ml	150 ml
Gewicht (zonder accupack, met kettingbeschermer)	3,81 Kg	3,86 Kg
Gemeten geluidsvermogensniveau L_{WA}	96,73 dB(A) $K_{WA}=2,5$ dB(A)	96,4 dB(A) $K_{WA}=2,5$ dB(A)
Geluidsdruk niveau aan het oor van de bediener L_{PA}	85,73 dB(A) $K_{PA}=2,5$ dB(A)	85,4 dB(A) $K_{PA}=2,5$ dB(A)
Gewaarborgd geluidsvermogensniveau L_{WA} (volgens 2000/14/EG)	100 dB(A)	99 dB(A)
Vibratie a_h	Achterste handvat	5,373 m/s ² $K=1,5$ m/s ²
	Voorste handvat	4,146 m/s ² $K=1,5$ m/s ²

- De opgegeven totale vibratiewaarde is gemeten volgens de standaard testmethode en kan worden gebruikt om het apparaat met een ander apparaat te vergelijken;
- De opgegeven totale vibratiewaarde kan tevens worden gebruikt in een voorafgaande beoordeling op blootstelling.

NL

MEDEDELING: De vibratie-afgifte tijdens het werkelijk gebruik van het elektrisch gereedschap kan verschillen van de opgegeven totale waarde; Om de bediener te beschermen dient de gebruiker tijdens het gebruik handschoenen en gehoorbescherming te dragen.

INHOUD VAN DE VERPAKKING

OMSCHRIJVING VAN DE ONDERDELEN	AANTAL
Kettingzaag motorkop	1
Zaagketting	1
Zaagblad	1
Kettingbescherming	1
Gebruikershandleiding	1

NL

BESCHRIJVING

KEN UW KETTINGZAAG (afb. A)

1. Drukschakelaar
2. Vergrendelknop
3. Accuvrijgaveknop
4. Olietank dop
5. Oliekijkglas
6. Zaagketting
7. Zaagblad
8. Vergrendeling
9. Uitwerpmechanisme
10. Elektrische contacten
11. Ketting terugslag remhendel
12. Kettingspanner knop
13. Voorste handvat
14. Achterste handvat
15. Kettingspanner schroef
16. Zij-afdekking
17. Zij-afdekking knop
18. Kettingbescherming
19. Smeeropening
20. Tandwiel in de punt van het zaagblad

OPMERKING: De ketting terugslag remhendel dient als een schakelaar voor het activeren van de kettingrem. Hij biedt ook bescherming tegen takken en helpt te

voorkomen dat de linkerhand de zaagketting aanraakt als hij van de voorste handgreep afglijdt.

MONTAGE

⚠ WAARSCHUWING: Als er onderdelen beschadigd zijn of ontbreken, gebruik dit product niet totdat alle onderdelen vervangen of aanwezig zijn. Dit product gebruiken met beschadigde of ontbrekende onderdelen kan ernstig persoonlijk letsel veroorzaken.

⚠ WAARSCHUWING: Probeer niet om dit product aan te passen of accessoires te maken die niet voor gebruik met deze kettingzaag zijn aanbevolen. Een dergelijke aanpassing of wijziging is verkeerd en kan leiden tot gevaar en een ernstig persoonlijk letsel.

⚠ WAARSCHUWING: Om het toevallig starten van het apparaat, dat ernstig persoonlijk letsel kan veroorzaken, te voorkomen, verwijder altijd de accu uit het apparaat voordat u onderdelen monteert.

MONTEREN/VERVANGEN VAN HET ZAAGBLAD EN DE KETTING

⚠ WAARSCHUWING: Draag altijd handschoenen bij het hanteren van het zaagblad en de ketting; deze onderdelen zijn scherp en kunnen bramen bevatten.

1. Plaats de kettingzaag motorkop op de zijkant met de zijkant naar boven gericht (afb. H).
 2. Draai de knop van de afdekking linksom om het scherm te verwijderen en de knop voor de kettingspanning zo ver mogelijk.
 3. Plaats de nieuwe ketting in een lus op de vlakke ondergrond en maak eventuele knikken recht (afb. I).
 4. Plaats de aandrijfschakels van de ketting in de groef van het zaagblad en laat de ketting in een lus naar de achterkant van het zaagblad lopen (afb. J).
 5. Houd de ketting op zijn plaats op het zaagblad en plaats de lus rond het tandwiel van de motorkop.
 6. Schuif de zaagbladgroef op de instelflenzen totdat de spanningspin zich in het onderste gat in de staart van het zaagblad bevindt (afb. L1).
- OPMERKING:** Kleine richtingspijlen zijn gegraveerd in de kettingzaag. Een andere richtingspijl bevindt zich op de behuizing. Als u de zaagketting op het tandwiel zet, dient u ervoor te zorgen dat de richting van de pijlen op de zaagketting overeen komen met de richting van de pijl op de behuizing. Als zij zich in tegengestelde richting bevinden, dient u de zaagketting om te draaien en opnieuw op het zaagblad te monteren (afb. L2).
7. Plaats de zij-afdekking terug en maakt de knop van de zij-afdekking een beetje vast.

8. Til de punt van het zaagblad op en controleer of hij doorbuigt (afb. K). Laat de punt van het zaagblad los en draai de kettingspanknop rechtsom. Herhaal dit proces totdat het doorbuigen is verdwenen.
9. Maak de knop van de afdekking goed vast en zorg ervoor dat de kettingzaag voldoende op spanning staat alvorens hem te gebruiken.

Afb. J & L beschrijving van de onderdelen zie beneden:

J-1	Aandrijfschakels van de ketting	L-2	Pin voor het aanpassen van de spanning
J-2	Zaagblad groef	L-3	Zaagblad groef
L-1	Instelflens	L-4	Tandwiel

OPMERKING: Om de levensduur van het zaagblad te verlengen, dient u het zaagblad af en toe te draaien.

OPMERKING: Als de ketting te strak zit, kan hij niet draaien. Maak de knop van de zij-afdekking een beetje los en draai de kettingspanknop één slag van rechts naar links. Til de punt van het zaagblad omhoog en draai de zij-afdekking knop weer stevig vast. Controleer of de ketting kan draaien zonder te blokkeren.

AANPASSEN VAN DE KETTINGSPANNING

- Stop de motor en verwijder het accupack voordat u de kettingspanning aanpast. Controleer dat de knop van de zij-afdekking los is. Draai de knop voor de kettingspanning rechtsom om de ketting op spanning te brengen. Zie alinea: "**VERVANGEN VAN HET ZAAGBLAD EN DE KETTING**" voor meer informatie.
- Een koude ketting staat goed onder spanning als er geen sprake is van speling aan de onderkant van het zaagblad en als de ketting strak zit, maar zonder problemen met de hand gedraaid kan worden. De ketting moet opnieuw worden gespannen als vlakken van de schakels niet op de groef van het zaagblad zitten.
- Tijdens het normale zagen zal de temperatuur van de ketting toenemen. De aandrijfschakels van een correct gespannen warme ketting hangt ongeveer 1,3 mm uit de groef van het zaagblad (afb. M).

OPMERKING: Nieuwe kettingen neigen te rekken; controleer de spanning van de ketting regelmatig en span hem indien nodig.

OPMERKING: Als de ketting wordt gespannen als hij warm is, kan hij te strak zitten als hij weer afkoelt. Controleer de koude spanning voor het volgende gebruik.

BEDIENING

WAARSCHUWING: Vertrouwdheid kan leiden tot onvoorzichtigheid. Opgelet, één seconde van onvoorzichtigheid kan ernstig letsel teweegbrengen.

WAARSCHUWING: Draag altijd een veiligheidsbril met zijschermen. Het niet dragen van deze beschermingsuitrusting kan ertoe leiden dat voorwerpen in uw ogen terechtkomen of kan een ander ernstig letsel veroorzaken.

WAARSCHUWING: Gebruik geen opzetstukken of toebehoren die niet door de fabrikant van dit product zijn aanbevolen. Het gebruik van niet aanbevolen opzetstukken of toebehoren kan leiden tot ernstig persoonlijk letsel.

WAARSCHUWING: Om het per ongeluk starten van het gereedschap, wat persoonlijk letsel kan veroorzaken, te voorkomen, dient u altijd het accupack uit het gereedschap te halen als u onderdelen monteert, instellingen uitvoert, het reinigt of als het niet in gebruik is.

Voor elk gebruik, controleer het volledig product op beschadigde, ontbrekende of losse onderdelen, zoals schroeven, moeren, bouten, etc. Maak alle bevestigingen en doppen stevig vast en gebruik dit product pas opnieuw eenmaal alle ontbrekende of beschadigde onderdelen zijn geplaatst.

TOEPASSING

U kunt dit product gebruiken voor het normale kappen, snoeien, opsnoeien en houtsnedes van hout en bomen.

OPMERKING: Het gereedschap mag alleen voor het voorheen genoemde doeleinde worden gebruikt. Ieder ander gebruik is in dit geval misbruik.

SMEERMIDDEL VAN HET ZAAGBLAD EN DE KETTING BIJVULLEN

WAARSCHUWING: Niet roken en geen vuur of vlammen in de buurt van de olie of de kettingzaag brengen. Olie kan lekken en brand veroorzaken.

OPMERKING: De kettingzaag is niet gevuld met olie op het moment van aankoop. Het is van essentieel belang dat de tank voor gebruik met olie wordt gevuld. De ketting wordt automatisch gesmeerd met kettingolie tijdens het gebruik.

1. Positie van de kettingzaag op de zijkant met de dop van de olietank naar voren wijzend.
2. Reinig de dop maar ook het gedeelte eromheen en draai hem vervolgens linksom om hem te verwijderen (afb. N).

NL

3. Doe voorzichtig speciaal hiervoor bestemde olie in de tank totdat dit de onderkant van de filterrand bereikt.
4. Veeg overtollige olie weg en plaats de dop weer terug.

OPMERKING: Rechtop staand moet de olie het oliekielglas vullen. Als de olie niet meer zichtbaar is in het oliekielglas, moet u direct stoppen met het gebruik en hem vullen.

HET ACCUPACK INSTALLEREN/VERWIJDEREN

Voor de eerste ingebruikname volledig opladen.

Voor het installeren (afb. O)

Breng de geleiders van de accu overeen met de montagesleuven en druk het accupack naar beneden totdat u "klik" hoort.

Voor het verwijderen (afb. P)

Druk de accu-ontgrendelingsknop naar beneden en trek het accupack eruit.

NL

DE KETTINGZAAG STARTEN/STOPPEN

OPMERKING: Voordat u de kettingzaag start, dient u het oliepijl, de scherpte van de tanden en de correct werkende terugslag remhendel te controleren. Bovendien dient u goed te staan en voor voldoende ruimte te zorgen.

Starten

1. Trek de ketting terugslag remhendel naar de voorste handgreep in de gebruikspositie (afb. G).
2. Pak de voorste en achterste handgrepen stevig vast met beide handen.
3. Druk de ontgrendelingsknop eerst en druk vervolgens de schakelaar om te starten (afb. Q). Laat de ontgrendelknop los en houd de drukschakelaar ingedrukt voor continu gebruik.

WAARSCHUWING: Probeer de zaag niet te starten als de zaag in een zaagsnede steekt.

Stoppen

1. Laat de schakelaar los.
2. Druk de ketting terugslag remhendel naar voren naar de remstand om de kettingrem te activeren (afb. G).

WAARSCHUWING: Haal altijd het accupack uit de kettingzaag wanneer u een pauze inlast of na gebruik van het gereedschap.

Correcte grip op de handgrepen (afb. E)

- Draag anti-slip handschoenen voor een maximale grip en bescherming.

- Met de zaag op een stevige, vlakke ondergrond houdt u de zaag stevig met beide handen vast.
- Pak altijd de voorste handgreep met de linkerhand en de achterste handgreep met de rechterhand vast.
- De vingers dienen de handgreep te omsluiten, met de duim onder de voorste handgreep.

WAARSCHUWING: Gebruik nooit een linkshandige (gekruiste) greep, of een houding waarbij u uw lichaam of arm over de kettinglijn beweegt (afb. R).

Goede zaagpositie (afb. S)

- Beide voeten moeten op een vaste ondergrond staan, het gewicht gelijkmatig verdeeld.
- De linkerarm moet recht zijn, met de elleboog vergrendeld. Dit helpt om de krachten van de terugslag te weerstaan.
- Uw lichaam moet zich altijd links van de zaaglijn bevinden.

INSTRUCTIES VOOR DE JUISTE TECHNIEK VOOR HET NORMALE KAPPEN, SNOEIEN, EN KRUISELINGS ZAGEN

WAARSCHUWING: Zorg altijd voor een veilige stand en houd de kettingzaag stevig met beide handen vast terwijl de motor draait.

WAARSCHUWING: Als de zaagketting is gestopt tijdens het zagen doordat hij klem zit, laat u de drukschakelaar los; verwijder de zaagketting en het zaagblad uit het hout, start de zaag vervolgens opnieuw.

WAARSCHUWING: Trek de zaagketting niet met de hand eruit als hij bedekt is door zaagsel. Ernstig letsel kan het gevolg zijn als de zaag per ongeluk weer start. Druk de zaagketting tegen het hout, beweeg de zaagketting heen en weer om het vuil te verwijderen. Verwijder altijd de accu voor het reinigen. Draag zware beschermende handschoenen als u met de zaagketting werkt.

WAARSCHUWING: Start de kettingzaag nooit als deze contact heeft met het hout. Laat de kettingzaag eerst op snelheid komen voordat u de zaag in contact brengt met het hout.

Een boom kappen

- Als het zagen en kappen door twee of meer personen gelijktijdig wordt uitgevoerd, dient het kappen apart van het zagen plaats te vinden op een afstand van tenminste twee keer de hoogte van de boom die wordt gekapt. Bomen mogen niet worden gekapt als hierdoor gevaren voor personen ontstaan, een stroomleiding

kunnen raken of eigendom kunnen beschadigen. Als de boom contact heeft met een stroomleiding, dient u direct contact op te nemen met de stroomleverancier.

- De bediener van de kettingzaag dient aan de hogere zijde van het terrein te staan, aangezien de boom waarschijnlijk naar beneden rolt of glijdt als hij wordt gekapt.
- U dient altijd een vluchtweg te plannen en deze vrij te maken voordat u begint met zagen. De vluchtweg dient zich naar achteren en diagonaal ten opzichte van de verwachte vallijn te bevinden zoals weergegeven in afb. T.
- Voordat u begint met kappen, dient u op de natuurlijke hoek van de boom, de locatie of grotere takken en de windrichting te kijken om te beoordelen in welke richting de boom zal vallen.
- Verwijder vuil, stenen, losse schors, nagels, nietjes en draden van de boom

Inkepen

Maak een inkeping 1/3 van de diameter van de boom, loodrecht op de valrichting, zoals te zien in afb. U. Zet eerst de lagere horizontale inkeping aan. Hierdoor wordt voorkomen dat de kettingzaag of het zaagblad vast komen te zitten als de tweede inkeping wordt gemaakt.

Snoeisnede

- Maak de snoeisnede tenminste 50 mm hoger dan de horizontale inkeping zoals weergegeven in afb. U. Houd de snoeisnede parallel met de horizontale inkeping. Maak de snoeisnede zo dat er genoeg hout over is dat als scharnier kan fungeren. Het scharnierhout zorgt ervoor dat de boom draait en in de verkeerde richting valt. Zaag niet door het scharnier.
- Als de snoeisnede dicht bij het scharnier komt, moet de boom beginnen te vallen. Als er een mogelijkheid bestaat, dat de boom niet in de gewenste richting valt of als hij terug wiegt en de zaagketting vast haakt, dient u te stoppen met zagen voordat de snoeisnede compleet is en dient u gebruik te maken van houten, plastic of aluminium wiggen om de snede te openen en de boom in de gewenste richting te laten vallen.
- Als de boom begint te vallen dient u de zaag uit de snede te halen, de motor te stoppen, de zaag neer te leggen en de geplande vluchtweg te gebruiken. Wees alert voor takken die boven uw hoofd omlaag kunnen vallen en pas op waar u loopt.

Afb. T & U beschrijving van de onderdelen zie beneden:

T-1	Kaprichting	U-2	Inkeping
T-2	Veilige vluchtweg	U-3	Snoeisnede
U-1	Richting van de val	U-4	Scharnier

Een boom snoeien

Snoeien is het verwijderen van de takken van een omgehakte boom. Als u snoeit, dient u grotere, lager zittende takken aan de boom te laten zodat deze de boom op de grond kan steunen. Verwijder kleine takken in één beweging zoals weergegeven in afb. V. Takken onder spanning moeten van beneden naar boven worden gezaagd om te voorkomen dat de kettingzaag vast komt te zitten.

Zagen van een blok

- Zagen van een blok is het zagen van een blok in kortere stukken. Het is belangrijk om ervoor te zorgen dat u stevig staat en uw gewicht gelijkmatig over beide voeten verdeelt. Indien mogelijk dient u de blok op hoogte te brengen door middel van blokken of stutten. Volg de eenvoudige aanwijzingen voor het eenvoudig zagen.
- Als de blok over de gehele lengte wordt ondersteund, zoals weergegeven in afb. W1, dient u van boven te zagen (bovenzijde).
- Als de blok aan één uiteinde wordt ondersteund, zoals weergegeven in afb. W2, zaagt u 1/3 diameter vanaf de onderzijde. Rond de zaagsnede vervolgens af door van boven uit te zagen totdat u bij de eerste zaagsnede aankomt.
- Als de blok aan beide uiteinden wordt ondersteund, zoals weergegeven in afb. W3, zaagt u 1/3 diameter vanaf de bovenkant (bovenzijde). Rond de zaagsnede vervolgens af door van beneden uit de onderste 2/3 van de zaagsnede te zagen totdat u bij de eerste zaagsnede aankomt.
- Als u op een helling zaagt, dient u altijd boven de blok te staan zoals weergegeven in afb. X.
- Als u "doorzaagt", dient u, om de volledige controle te behouden, de zaagdruk te verminderen aan het einde van de zaagsnede zonder uw greep van de kettingzaag handgrepen te verminderen. Laat de ketting geen contact met de grond maken. Nadat u klaar bent met zagen, wacht u totdat de kettingzaag tot stilstand komt voordat u de kettingzaag beweegt. Stop de motor altijd voordat u van boom naar boom gaat.

NL

ONDERHOUD

WAARSCHUWING: Bij reparatie, gebruik uitsluitend identieke reserve-onderdelen. Het gebruik van andere onderdelen kan gevaar opleveren of schade aan het product veroorzaken.

WAARSCHUWING: Draag altijd veiligheidshandschoenen als u onderhoud uitvoert aan de kettingzaag.

⚠ WAARSCHUWING: Om ernstig persoonlijk letsel te voorkomen, haal het accupack uit de kettingzaag voordat u hem inspecteert, reiniging of onderhoud uitvoert. Een gereedschap met accu waar het accupack geplaatst is, is altijd aan en kan direct starten.

⚠ WAARSCHUWING: Als u de zaag reinigt, dompel hem dan NIET in water of andere vloeistoffen.

⚠ WAARSCHUWING: Zorg dat remvloeistoffen, benzine, producten op basis van aardolie, oliën, etc. op geen enkel moment met de kunststof onderdelen in aanraking komen. Chemicaliën kunnen de kunststof onderdelen beschadigen, verzwakken of vernietigen en ernstig persoonlijk letsel veroorzaken.

REINIGING

- Na ieder gebruik dient u het vuil met een zachte borstel van de ketting en het zaagblad te verwijderen. Veeg het oppervlak van de kettingzaag schoon met een vochtige doek en een mild zeepsopje.
- Verwijder de zij-afdekking en gebruik een zachte borstel om het vuil van het zaagblad, zaagketting, het tandwiel en de zij-afdekking te verwijderen.
- Verwijder altijd houtsnippers, zaagsel en vuil van de groef van het zaagblad als u de zaagketting vervangt.

VERVANGEN VAN HET ZAAGBLAD EN DE KETTING

⚠ WAARSCHUWING: Raak de ketting nooit aan en pas hem niet aan als de motor draait. De zaagketting is zeer scherp.

OPMERKING: Als u het zaagblad en de ketting vervangt, dient u altijd het gespecificeerde zaagblad en kettingcombinatie te gebruiken die in de gebruiksaanwijzing staan.

Demonteer het versleten zaagblad en de ketting (afb. Y)

1. Verwijder de accu, laat de zaag afkoelen en draai de dop van de olietank vast.
2. Plaats de kettingzaag op de zijkant met de zijkant naar boven gericht.
3. Draag handschoenen. Verwijder de zij-afdekking door de knop van de zij-afdekking linksom te draaien. Maak het zijpaneel schoon met een droge doek.

OPMERKING: Dit is een goed moment om het kettingwiel op abnormale slijtage of beschadigingen te controleren.

Monteer het nieuwe zaagblad en de ketting

Volg de instructies in het **MONTAGE/VERVANGEN VAN HET ZAAGBLAD EN DE KETTING**-hoofdstuk in deze handleiding.

Pas de kettingspanning aan

Volg de instructies in het **AANPASSEN VAN DE KETTING-SPANNING**-hoofdstuk in deze handleiding.

KETTING ONDERHOUD

⚠ WAARSCHUWING: Draag altijd handschoenen bij het hanteren met de zaagketting; deze onderdelen zijn scherp en kunnen bramen bevatten.

Gebruik alleen kettingen met een lage terugslag op deze zaag. Deze snel zagende ketting zorgt voor een verminderde terugslag als hij correct wordt onderhouden.

Een goed geslepen zaagketting snijdt moeiteloos door hout, zelfs met zeer weinig druk.

Gebruik nooit een botte of beschadigde zaagketting. Een botte zaagketting leidt tot verhoogde lichamelijke krachtinspanning, verhoogde trilling, onbevredigende zaagresultaten en verhoogde slijtage.

Voor het soepel en snel zagen dient de ketting correct te worden onderhouden. De ketting moet worden geslepen als de houtsnippers klein en poederachtig zijn, de ketting met kracht door het hout moet worden gedrukt of als de ketting aan slechts één zijde zaagt. Tijdens het onderhoud van duw ketting moet u rekening houden met het volgende:

- Een onjuiste vijlhoek van de zijplaat kan het risico op een zware terugslag verhogen.
- Harken (dieptemeter) speling. Te laag verhoogt het potentiële risico op een terugslag. Niet laag genoeg vermindert het zaagvermogen.
- Als de zaagtanden harde voorwerpen hebben getroffen, zoals spijkers en stenen, of als ze worden afgeschuurd door modder of zand op het hout, moet de ketting worden geslepen door een gekwalificeerde servicemonteur.

OPMERKING: Inspecteer het kettingwiel op slijtage of schade als u de ketting vervangt. Als er tekenen van slijtage of schade bestaan in het aangegeven gebied, dient u het kettingwiel door een gekwalificeerde servicemonteur te laten vervangen.

ZAAGBLAD ONDERHOUD

Als het zaagblad tekenen van slijtage toont, dient u het op de zaag om te draaien om de slijtage te verdelen en een maximale levensduur van het zaagblad te behalen. Het blad dient iedere dag van gebruik te worden gereinigd en



op slijtage en beschadigingen te worden gecontroleerd. Vering of afbramen van de bladgeleiders is een normaal slijtageproces van het zaagblad. Dergelijke fouten dienen te worden verholpen met een vijl zodra deze de kop opsteken. Een blad met één van de volgende fouten dient te worden vervangen.

- Slijtage aan de binnenkant van de bladgeleiders waardoor de ketting over de zijkant kan lopen.
- Gebogen zaagblad.
- Gescheurde of gebroken geleiders.
- Uiteenstaande geleiders.

Bovendien heeft het zaagblad een tandwiel aan de punt (afb. A-20). Het tandwiel moet op een wekelijks basis worden gesmeerd met een vetspuit om de levensduur van het zaagblad te verlengen. Gebruik een vetspuit om op een wekelijkse basis met kettingolie te smeren door middel van de smeeroening (afb. A-19). Draai het zaagblad en controleer of de smeeroeningen en de ketting groef vrij zijn van onzuiverheden.

TRANSPORT EN OPSLAG

- Berg de kettingzaag nooit op en transporteer hem niet als hij aan staat. Verwijder altijd de accu voor het opbergen of de transport.
- Plaats altijd de bescherming op het zaagblad en de ketting voordat u de kettingzaag opslaat of transporteert. Let op voor de scherpe tanden van de ketting.
- Maak de kettingzaag grondig schoon voordat u deze opbergt. Berg de kettingzaag binnenshuis op in een droge ruimte die voor kinderen gesloten en/of ontoegankelijk is.
- Houd uit de buurt van corrosieve middelen, zoals tuinchemicaliën en strooizout.

Het milieu beschermen



Gooi geen elektrische apparaten, acculaders en accu's/oplaadbare batterijen met het huisafval weg!

Elektrische en elektronische apparaten, in overeenstemming met de Europese wet 2012/19/EG, en defecte of verbruikte accu-packs/batterijen, in overeenstemming met 2006/66/EG, moeten afzonderlijk worden ingezameld.

Als elektrische apparaten op een stortterrein of vuilnisbelt terecht komen, kunnen gevaarlijke stoffen in het grondwater lekken en in de voedselketen komen wat schadelijk is voor uw gezondheid en welzijn.

EG CONFORMITEITSVERKLARING



Wij, CHERVON EUROPE LTD.

47 CASTLE STREET, READING, RG1 7SR, UNITED KINGDOM

Verklaren dat het product **56V lithium-ion accu kettingzaag CS1400E/CS1600E**, voldoet aan de essentiële gezondheids- en veiligheidsvoorschriften van de volgende richtlijnen:

2006/42/EG, 2004/108/EG, 2011/65/EG, 2000/14/EG

Standaarden en technische specificaties waaraan wordt gerefereerd:

EN 60745-1, EN 60745-2-13, EN 55014-1, EN 55014-2

	CS1400E	CS1600E
Gemeten geluidsvermogensniveau:	96,73 dB(A)	96,4 dB(A)
Gewaarborgd geluidsvermogensniveau:	100 dB(A)	99 dB(A)

NL

Peter Melrose
Vice president van Chervon Europe

Dong Jianxun
Kwaliteitsmanager van Chervon

* (Geautoriseerde vertegenwoordiger voor CHERVON en verantwoordelijk voor de technische documentatie)

01/01/2016

Naam, adres en identificatienummer van de aangemelde instantie:

TüV Rheinland LGA Products GmbH; Tillystra 2 D - 90431 Nürnberg, Germany; 0197.

Nummer van het certificaat van EC-typeonderzoek:

BM 50326004 0001 (CS1600E)

BM 50296271 0001 (CS1400E)

PROBLEEMOPLOSSING

⚠ WAARSCHUWING: Bescherm altijd uw handen door zware handschoenen te dragen als u onderhoud aan de kettingzaag uitvoert. Verwijder altijd het accupack tijdens onderhoud of transport van de kettingzaag.

NL

PROBLEEM	OORZAAK	OPLOSSING
De motor werkt niet	<ul style="list-style-type: none"> ■ Het accupack is niet met de kettingzaag verbonden. ■ Er is geen elektrisch contact tussen de zaag en accu. ■ Het accupack is uitgeput. ■ Het accupack of de kettingzaag is te warm. ■ De vergrendelknop is niet ingedrukt voordat u de drukschakelaar drukt. ■ De kettingrem is geactiveerd. ■ De zaagketting zit vast in het hout. ■ Er bevindt zich vuil in de groef van het blad. ■ Er bevindt zich vuil in de zij-afdekking. 	<ul style="list-style-type: none"> ■ Bevestig het accupack aan de kettingzaag. ■ Verwijder het accupack, controleer de aansluitklemmen en plaats het accupack terug. ■ Laad het accupack op. ■ Laat het accupack of de kettingzaag afkoelen totdat de temperatuur lager dan 67°C is. ■ Om de kettingzaag te starten, duw de vergrendelknop omlaag en houd op deze positie. Duw vervolgens de drukschakelaar. ■ Trek de ketting terugslag remhendel terug in richting van de voorste handgreep. ■ Laat u de drukschakelaar los; verwijder de zaagketting en het zaagblad uit het hout, start de zaag vervolgens opnieuw. ■ Druk de zaagketting tegen het hout, beweeg de zaagketting heen en weer om het vuil te verwijderen. ■ Verwijder het accupack, verwijder vervolgens de zij-afdekking en ontdoe hem van vuil.
De motor loopt, maar de ketting draait niet	<ul style="list-style-type: none"> ■ Ketting heeft geen contact met het tandwiel. 	<ul style="list-style-type: none"> ■ Bevestig de ketting weer; let erop dat de aandrijfschakels op de ketting volledig over het tandwiel lopen.
De kettingrem wordt niet geactiveerd	<ul style="list-style-type: none"> ■ Vuil voorkomt de volledige beweging van de ketting terugslag remhendel. ■ Mogelijke kettingrem storing 	<ul style="list-style-type: none"> ■ Verwijder vuil van het externe kettingremmechanisme. ■ Neem contact op met de klantenservice van EGO.

PROBLEEM	OORZAAK	OPLOSSING
De kettingzaag zaagt niet goed	<ul style="list-style-type: none"> ■ Onvoldoende kettingspanning. ■ Botte ketting. ■ De ketting is achterste voren bevestigd. ■ De ketting is versleten. ■ Droge of overmatig gerekte ketting. ■ De ketting loopt niet in de groef van het zaagblad. 	<ul style="list-style-type: none"> ■ Pas de kettingspanning aan; doe dit aan de hand van de volgende alinea: "AANPASSEN VAN DE KETTINGSpanning". ■ Slijp de kettingtanden; doe dit aan de hand van de volgende alinea: "HOE WORDEN DE TANDEN GESLEPEN". ■ Herinstalleer de zaagketting; doe dit aan de hand van de volgende alinea: "VERVANGEN VAN HET ZAAGBLAD EN DE KETTING". ■ Vervang de ketting; doe dit aan de hand van de volgende alinea: "VERVANGEN VAN HET ZAAGBLAD EN DE KETTING". ■ Controleer het oliepeil. Vul de olietank indien nodig. ■ Herinstalleer de zaagketting; doe dit aan de hand van de volgende alinea: "VERVANGEN VAN HET ZAAGBLAD EN DE KETTING".
Zaagblad en ketting lopen warm en roken	<ul style="list-style-type: none"> ■ Controleer de kettingspanning of deze te strak zit. ■ Kettingolie tank is leeg. ■ Er bevindt zich vuil in de groef van het zaagblad. 	<ul style="list-style-type: none"> ■ Span de zaagketting opnieuw; zie alinea: "AANPASSEN VAN DE KETTINGSpanning". ■ Smeermiddel van het zaagblad en de ketting bijvullen ■ Verwijder het vuil in de groef.

NL

GARANTIE

EGO GARANTIEVOORWAARDEN

Bezoek onze website egopowerplus.com voor alle voorwaarden van de EGO garantie.

LÆS ALLE INSTRUKTIONERNE!



LÆS & FORSTÅ BRUGSANVISNING

⚠ Risiko! Personer, der bruger elektronisk udstyr, såsom pacemakere, skal konsultere deres læge, inden de tager dette produkt i brug. Brug af elektrisk udstyr i nærheden af en pacemaker, kan forstyrre pacemakeren eller gøre at den holder op med at virke.

⚠ Advarsel: Af hensyn til sikkerhed og pålidelig drift, skal alle reparationer og udskiftninger udføres af en kvalificeret servicetekniker.

SIKKERHEDSSYMBOLER

Formålet med sikkerhedssymbolerne er at tiltrække brugeren opmærksomhed på mulige farer. Sikkerhedssymbolerne og de medfølgende forklaringer skal læses og forstås. Symboladvarselne kan ikke alene fjerne nogen fare. Instruktionsne og advarselne er ingen erstatning for ordentlige sikkerhedsforanstaltninger.

⚠ Advarsel: Sørg for at læse og forstå alle sikkerhedsinstruktionerne i denne brugervejledning, herunder alle advarselssymbolerne, såsom "FARE", "ADVARSEL" og "FORSIGTIG" inden apparatet tages i brug. Hvis instruktionerne nedenfor ikke følges, kan det føre til elektrisk stød, brand og/eller alvorlig personskade.

BETYDNING AF SYMBOLET

ADVARSELSSYMBOL: Står for FARE, ADVARSEL og FORSIGTIG. Kan bruges sammen med andre symboler eller billeder.

⚠ Advarsel: Når kraftige værktøjer bruges, er der altid en risiko for at genstande slynges ind i øjnene, som kan føre til alvorlige øjenskader. Inden værktøjet tages i brug, skal brugeren altid bære beskyttelsesbriller eller beskyttelsesbriller med sideskærm, eller en fuld ansigtsskærm, hvis nødvendigt. Vi anbefaler at brugeren bære en fuld ansigtsskærm over briller eller beskyttelsesbriller med sideskærm.

SIKKERHEDSINSTRUKTIONER

Denne side viser og beskriver sikkerhedssymbolerne, som kan være på dette produkt. Læs, forstå og følg alle instruktioner på maskinen, inden den samles og bruges.

	Sikkerhedsadvarsel	Angiver en potentiel fare for personskade.
	Læs brugervejledningen	For at reducere risikoen for skade, skal brugeren læse brugervejledningen.
	Brug øjenbeskyttelse	Sørg altid for at bære beskyttelsesbriller eller sikkerhedsbriller med sideskærme, og en fuld ansigtsskærm, når dette produkt bruges.
	Brug høreværn	Brug altid høreværn, når dette produkt bruges.
	Brug hovedbeskyttelse	Brug en beskyttelseshjelm, så dit hoved beskyttes.
	Brug beskyttelseshandsker	Beskyt dine hænder med handsker, når saven og kæden håndteres. Kraftige beskyttelseshandsker forbedrer dit greb og beskytter dine hænder.
	Savsværd	Oplysninger om savsværdet.
	Pas på tilbageslag	Undgå, at spidsen af savsværdet kommer i kontakt med nogen genstande.
	Spidsen af savsværdet kan slå tilbage	Hvis spidsen af savsværdet kommer i kontakt med en genstand, kan det slynges opad og bagud, hvilket kan føre til alvorlige skader.
	Hold med to hænder	Brug altid to hænder, når motorsaven bruges.
	Må ikke udsættes for regn	Motorsaven må ikke bruges i regn, og den må efterlades udenfor i regnvejr.
	CE	Dette produkt er i overensstemmelse med gældende EU-direktiver.
	Støj	Garanteret lydstyrke. Støjemissionen er i overensstemmelse med EU-direktivet.

DK

	WEEE	Udtjente elektriske produkter må ikke bortskaffes sammen med almindelig husholdningsaffald. Det skal sendes til genbrug.
V	Volt	Spænding
A	Ampere	Strøm
Hz	Hz	Frekvens (cyklusser i sekundet)
W	Watt	Strømledende
min	Minutter	Tid
	Vekselstrøm	Strømart
	Jævnstrøm	Strømart eller strømegenskab
n_0	Hastighed uden belastning	Drejehastighed uden belastning
... /min	i minuttet	Omdrejninger i minutter

GENERELLE SIKKERHEDSADVARSLER OM ELEKTRISKE APPARATETER

⚠ ADVARSEL: Læs alle sikkerhedsadvarsler og instruktioner. Hvis advarslerne og instruktionerne ikke følges, kan det føre til elektrisk stød, brand og/eller alvorlige skader.

Gem alle advarsler og instruktioner til fremtidig reference.

Udtrykket "elektriske apparater" i advarslerne henviser til eldrevne (ledningforbundne) og batteridrevne (ledning-frie) elværktøjer.

SIKKERHED I ARBEJDSOMRÅDET

- **Sørg for at arbejdsområdet er rent og godt belyst.** Et rodet eller mørkt område, kan føre til ulykker.
- **Elværktøjet må ikke bruges i eksplosive miljøer, såsom steder med brændbare væsker, benzin eller støv.** Elværktøjer kan slå gnister og antænde støv og dampe.
- **Hold børn og tilskuere væk, når et elværktøj er i brug.** Distraktioner kan få dig til at miste kontrollen.

SIKKERHED OMKRING ELEKTRICITET

- **Stikket på elværktøjet skal passe i stikkontakten. Stikket må på ingen måde ændres. Jordforbundne elværktøjet må ikke bruges med et adapterstik.** Når der ikke ændres på stikket og det passer i stikkontakten, reduceres risikoen for elektrisk stød
- **Undgå kropskontakt med jordforbundne overflader, såsom rør, radiatorer, komfurer og køleskabe.** Der er en øget risiko for elektrisk stød, hvis din krop er jordforbundet.
- **Elværktøjer må ikke udsættes for regn eller våde forhold.** Hvis der kommer vand ind i et elværktøj, øges risikoen for elektrisk stød.
- **Ledningen må ikke misbruges. Brug aldrig ledningen til at bære eller trække elværktøjet, eller til at trække stikket ud af stikkontakten. Hold ledningen væk fra varme, olie, skarpe kanter og bevægelige dele.** Beskadigede eller sammenflettede ledninger, øger risikoen for elektrisk stød.
- **Når et elværktøj bruges udendørs, skal du bruge en forlængerledning, der er egnet til udendørs brug.** Brug af en egnet ledning til udendørs brug, reducerer risikoen for elektrisk stød.
- **Hvis et elværktøj skal bruges på et fugtigt sted, skal du bruge en strømforsyning med et fejlstrømsrelæ.** Brug af et fejlstrømsrelæ, reduceres risikoen for elektrisk stød.

DK

PERSONLIG SIKKERHED

- **Vær forsigtig, hold øje med hvad du laver og brug din sunde fornuft, når du bruger et elværktøj. Brug ikke et elværktøj, hvis du er træt eller under indflydelse af narkotika, alkohol eller medicin.** Et øjeblikks uopmærksomhed, kan føre til alvorlige personskader.
- **Brug personligt beskyttelsesudstyr Brug altid beskyttelsesbriller.** Væremidler såsom støvmasker, skridsikker sikkerhedssko, hjelm og høreværn, der bruges i passende betingelser, reducerer risikoen for personskader.
- **Undgå, at apparatet startes ved et uheld. Sørg for at tænd/sluk-knappen er slukket inden apparatet sluttes til strømkilden eller batteripakken, samt inden det løftes op eller bæres rundt.** Hvis elværktøjer bæres med fingeren på tænd/sluk-knappen, eller oplades med tænd/sluk-knappen tændt, øger risikoen for ulykker.
- **Fjern evt. justeringsnøgler eller skruenøgler, inden elværktøjet tændes.** Hvis en skruenøgle eller nøgle efterlades på en drejende del på elværktøjet, kan føre til personskader.

- **Undgå, at række for langt ud. Hold altid et ordentligt fodfæste og en god balance.** Dette giver bedre kontrol over elværktøjet i uventede situationer.
- **Brug det rigtige tøj. Undgå, at bære løstsiddende tøj eller smykker. Hold dit hår, tøj og handsker fra bevægelige dele.** Løstsiddende tøj, smykker eller langt hår, kan komme i klemme i bevægelige dele.
- **Hvis der monteres tilbehør til indsamling af støv eller andet, skal du sørge for at disse monteres og bruges korrekt.** Brug af støvindsamlingsenheder, kan reducere støv-relaterede risici.

BRUG OG PJELE AF ELVÆRKTØJET

- **Elværktøjet må ikke tvinges under brug. Brug det rigtige elværktøj til formålet.** Det korrekte elværktøj gør arbejdet bedre og mere sikkert, da det er beregnet til formålet.
- **Elværktøjet må ikke bruges, hvis det ikke kan tændes på tænd/sluk-knappen.** Alle el-værktøjer, som ikke kan styres på tænd/sluk-knappen er farlige og skal repareres.
- **Træk stikket ud af strømkilden og/eller tag batteripakken ud af elværktøjet, inden der foretages nogen justeringer, ændre tilbehør eller gemmer elværktøjet væk.** Sådanne sikkerhedsforanstaltninger reducerer risikoen for at værktøjet starter ved et uheld.
- **Opbevar elværktøjer utilgængeligt for børn og lad ikke personer, der ikke er bekendt med motorsaven eller disse instruktioner, bruge elværktøjet.** Elværktøjet er farligt i hænderne på brugere, der ikke ved hvordan det skal bruges.
- **Vedligeholdelse af elværktøjet. Sørg for at bevægelige dele passer og ikke binder, at det ikke er gået i stykker og at generelt er i god stand og virker ordentligt. Hvis elværktøjet beskadiges, skal det repareres før brug.** Mange ulykker skyldes dårligt vedligeholdt elværktøj.
- **Sørg for at holde skæreværktøjer skarpe og rene.** Skæreværktøjer med skarpe kanter, der vedligeholdes ordentligt, er mindre tilbøjelige til at binde og er lettere at styre.
- **Elværktøjet, tilbehør og bits osv. skal bruges i overensstemmelse med disse instruktioner, hvor arbejdsforholdene og arbejdet, der skal udføres, skal tages i betragtning.** Hvis elværktøjet bruges til andet end hvad et er beregnet til, kan føre til farlige situationer.

DK

BRUG OG PLEJE AF BATTERIET

- **Batteripakken må kun oplades med opladeren, der er angivet af fabrikanten.** Hvis en oplader, der er egnede til én slags batteripakke, bruges med en anden slags batteripakke, kan det føre til brand.
- **Elværktøjer må kun bruges med batteripakker, der er beregnet til dem.** Hvis der bruges andre batteripakker, kan det føre til skader eller brand.
- **Når batteripakken ikke er i brug, skal det holdes væk fra andre metalgenstande, såsom papirclips, mønter, nøgler, søm, skruer eller andre små metalgenstande, der kan lave en forbindelse fra én terminal til en anden.** Hvis batteripolerne kortsluttes, kan det føre til forbrændinger eller en brand.
- **Hvis batteripakken misbruges, kan den lække væske. Undgå, at røre ved denne væske. Hvis en person rører ved væsken, skal området skylles med vand. Hvis væsken kommer i kontakt med øjnene, skal du straks søge lægehjælp.** Batterivæske kan forårsage irritation eller forbrændinger.

SERVICE

- **Dit elværktøj skal repareres af en kvalificeret person, og der må kun bruges identiske reservedele.** På denne måde sørger man for, at elværktøjet forbliver sikkert at bruge.

SIKKERHEDSADVARSLER OM MOTORSAVEN

- **Hold alle dele af kroppen væk fra motorsaven, når den er i brug. Inden motorsaven startes, skal du sørge for at savkæden ikke røre ved noget.** Et øjeblik uopmærksomhed, når motorsaven bruges, kan gøre at dit tøj eller krop kommer i kontakt med kæden.
- **Hold altid motorsavet med højre hånd på det bageste håndtag og din venstre hånd på den forreste håndtag.** Hvis motorsaven holdes omvendt, øges risikoen for personskader og dette må aldrig gøres.
- **Elværktøjet må kun holdes i de isolerede håndtag, da den kan ramme skjulte ledninger, når man saver.** Hvis motorsaven rammer en strømledende ledning, kan metaldelene på motorsaven blive "strømledende", hvilket kan give brugeren elektrisk stød.
- **Brug beskyttelsesbriller og høreværn. Det anbefales at bruge yderligere beskyttelsesudstyr for hoved, hænder, ben og fødder.** Når egnet beskyttelsesbeklædning bruges reduceres risikoen for personskader, som følge af flyvende vragele eller utilsigtet kontakt med savkæden.

- **Motorsaven må ikke bruges i et træ.** Hvis motorsaven bruges op i et træ, kan det føre til personskader.
- **Sørg altid for at holde ordentlig fodfæste og brug kun motorsaven når du står på en fast, sikker og plan overflade.** Hvis man står på glatte eller ustabile overflader, såsom stiger, kan man miste balancen og kontrollen over motorsaven.
- **Hvis man saver en stamme over, der er under spænding, skal man pas på tilbageslag.** Når spændingen i træfibrene frigøres, kan den fjederbelastede stamme ramme brugeren og/eller slynge motorsaven ud af kontrol.
- **Vær meget forsigtig, hvis du saver buske og små træer.** Tynde grene kan komme i klemme i savkæden, og slynges mod dig eller trække dig ud af balance.
- **Motorsaven skal altid bæres i det forreste håndtag, og være slukket og væk fra kroppen. Sværdsleden skal altid sætte på savsværdet, når motorsaven transporteres eller opbevares.** Når motorsaven bruges korrekt, reduceres sandsynligheden for utilsigtet kontakt med savkæden.
- **Følg instruktionerne til smøring, kædestramning og ændring af tilbehør.** Hvis savkæden spændes eller smøres forkert, kan den gå i stykker og det kan forøge risikoen for tilbageslag.
- **Hold håndtagene tørre, rene og fri for olie og fedt.** Oliebelagte og fedtede håndtag er glatte, og gør det svært at styre motorsaven.
- **Sav kun i træ. Motorsaven må ikke bruges til andet, end hvad den er beregnet til. For eksempel: Motorsaven må ikke bruges til at save i plast, murværk eller ikke-træbaserede byggematerialer.** Hvis en motorsav bruges til andet, end hvad den er beregnet til, kan det føre til en farlig situation.

ÅRSAGER TIL OG FORHINDRING AF TILBAGESLAG (billeder B, C, D & E)

Motorsaven kan give tilbageslag, hvis spidsen af sværdet rører en genstand, eller hvis savkæden sidder i klemme et træ.

Hvis spidsen kommer i kontakt med en genstand, kan motorsaven give tilbageslag, og slynge sværdet opad og tilbage mod brugeren (billede B).

Hvis savkæden for enden af sværdet kommer i klemme, kan sværdet slynge hurtigt tilbage mod brugeren (billede C).

Du kan se en beskrivelse af billede B og C nedenfor:

B-1	Drejende tilbageslag
C-1	Lineær tilbageslag

Ved begge disse reaktioner kan man miste kontrollen med saven, hvilket kan føre til alvorlige personskader. Man må ikke blindt stole på de indbyggede sikkerhedsanordningerne i motorsaven.

Som bruger af motorsaven, skal man tage bestemte forholdsregler i brug, for at forhindre ulykker og skader.

Tilbageslag sker hvis værktøjet misbruges og/eller bruges forkert eller i forkerte forhold. Disse kan undgås ved at tage følgende forholdsregler i brug:

- **Hold ordentligt fast i håndtagene, med tommelfingrene og fingrene fast omkring håndtagene, og med begge hænder på saven. Placer din krop og arm, så du kan modstå evt. tilbageslag (billede E).** Tilbageslag kan styres af brugeren, hvis de passende forholdsregler tages i brug. Motorsaven må ikke slippes.
- **Undgå, at række for langt ud, og undgå at save over skulderhøjde.** Dette hjælper med at forhindre utilsigtede kontakt med sværdspidsen, og giver bedre kontrol over motorsaven i uventede situationer.
- **Brug kun sværd og kæder, der er angivet af fabrikanten.** Hvis der bruges forkerte sværd eller kæder, kan kæden gå i stykker, eller motorsaven kan give tilbageslag.
- **Følg fabrikantens vejledninger for slibning og vedligeholdelse.** Hvis højden på dybdemåleren reduceres, forøges chancen for tilbageslag.
- **Sørg for at området, hvor du skal save, er fri for forhindringer.** Undgå, at sværdspidsen kommer i kontakt med et træstamme, grene, et hegn eller andre genstande, der kan rammes, når motorsaven er i brug.
- **Motorsaven skal altid køre på fuld hastighed, når du saver.** Tryk gasknappen helt i bund, og oprethold savehastigheden.
- **Når du har en grundlæggende forståelse af tilbageslag, kan du reducere eller eliminere uforudsigelige tilbageslag.** Pludselige tilbageslag kan føre til ulykker.
- **Hold altid et ordentligt fodfæste og en god balance.**
- **Tryk og træk** - reaktionsstyrken er altid modsat kædens retning, hvor der er kontakt med træet. Det vil sige at brugeren altid skal være klar til at TRÆKKE, når den nederste kant af stammen saves over, og til at TRYKKE, når den øverste kant saves over (billede F).

DK

SIKKERHEDSENHEDER MOD TILBAGESLAG PÅ DENNE MOTORSAV

Kædebremser

Motorsavet er udstyret med en kædebremser, som stopper både motoren og kæden, hvis der opstår et tilbageslag. Kædebremser kan aktiveres ved at trykke kædebremsehåndtaget fremad, hvis saven slynger bagud under et tilbageslag. Den kan også aktiveres af den interne styrker, der genereres under et hurtigt tilbageslag.

⚠ ADVARSEL: Kædebremser må aldrig ændres eller deaktiveres.

Sørg for at kædebremser fungerer ordentligt, inden motorsaven tages i brug. Kædebremsehåndtaget skal nemt kunne trykkes frem og tilbage.

Kædebremser kan testes på følgende måde (billede G):

- Stil motorsaven på en flad overflade, og sørg for at der ikke er nogen nærliggende genstande eller forhindringer, der kan komme i kontakt med sværdet og kæden.
- Løsn kædebremser ved at trække kædebremsehåndtaget mod det forreste håndtag.
- Start motorsavet.
- Tryk kædebremsehåndtaget mod savens forside. En velfungerende håndbremse stopper straks kæden. Hvis kædebremser ikke fungerer korrekt, må motorsaven ikke bruges, før den er blevet repareret af en autoriseret servicetekniker.

Du kan se en beskrivelse af billede G nedenfor:

G-1	Kædebremsehåndtaget er slået til.
G-2	Kædebremsehåndtaget er i bremseindstillingen

⚠ ADVARSEL: Sørg for at kædebremser virker ordentligt, inden hvert brug.

⚠ ADVARSEL: Hvis kædebremser er tilstoppet med træflis, virker den muligvis ikke ordentligt. Enheden skal altid holdes ren.

Savkæde med lille chance for tilbageslag

En måling af savedybden før hver savning kan reducere kraften på et tilbageslag, ved at forhindre saven i at save for dybt ind i området, hvor tilbageslag kan opstå. Kæden må kun skiftes med en kæde, der svarer til den originale kæde eller en godkendt kæde.

⚠ FORSIGTIG: Som kæder slibes i løbet af deres levetid, får de en større tendens til at give tilbageslag, så man skal være ekstra forsigtig, når disse bruges.

YDERLIGERE ADVARSLER

- **En motorsav skal bruges med begge hænder.** Hvis den bruges med en hånd, kan det føre til alvorlige skader på brugeren, hjælpere og/eller personer i nærheden.
 - **Undgå, at røre ved kæden, selvom den ikke kører rundt, og undgå at røre ved kanten på savsværdet.** Disse kan være meget skarpe. Brug altid handsker og langbukser, når motorsaven, kæden og sværdet håndteres.
 - **En motorsav, der er beskadiget eller forkert justeret eller som ikke er samlet helt og sikkert, må aldrig bruges.** Sørg for at savkæden stopper, når gasknappen slippes.
 - **Se træet efter for søm, kabler og andre genstande, inden det saves i stykker.**
 - **Hvis der saves træ på en bukke, skal du sørge for at spænde træet fast, inden det saves over. Ved fældning eller beskæring, skal du holde øje med farlige grene og save dem sikkert over.**
 - **Aggressiv eller grov savning eller misbrug af motorsaven kan hurtigt nedslide sværdet, kæden og/eller tandhjulet, og kan ødelægge kæden eller sværdet, som kan føre til tilbageslag, kædebrud eller udslyngning af materialer.**
 - **Motorsaven må aldrig løftes i sværdet.** En bøjet sværd kan hurtigt nedslide sværdet, kæden og/eller tandhjulet, og kan ødelægge kæden eller sværdet, som kan føre til tilbageslag, kædebrud eller udslyngning af materialer.
 - **Sav kun ét stykke over ad gangen.**
 - **Motorsaven må kun bruges med batteripakker og opladere fra EGO.**
- | BATTERI | OPLADER |
|--|------------------|
| BA1120E, BA2240E, BA2800, BA3360, BA4200 | CH5500E, CH2100E |
- **Batteripakken må ikke oplades i regn eller på våde steder.**
 - **Planlægge arbejdet, og sørg for at arbejdsområdet er fri for genstande. Ved fældning, skal der være mindst én fri gang væk fra det faldende træ.**
 - **Ved fældning, skal omkringstående personer mindst være to træ-længder væk.**
 - **Hvis der opstår situationer, som ikke er beskrevet i denne brugsvejledning, skal du være forsigtig og bruge din sunde fornuft. Kontakt EGO's kundeservice for hjælp.**

DK

SAVSVÆRDET

Denne sav er udstyret med et sværd, hvis spids har en lille radius. En spids med en lille radius har generelt mindre tilbøjelighed til at give tilbageslag. Hvis sværdet skal skiftes, skal du sørge for at bestille et sværd fra denne vejledning.

GEM DISSE VEJLEDNINGER!

SPECIFIKATIONER

Model	CS1400E	CS1600E	
Spænding	56 V ---	56 V ---	
Længde på sværdet	350 mm	400 mm	
Kædedeling	9,5 mm	9,5 mm	
Kædemåler	1,1 mm	1,1 mm	
Savkædetype	90PX052X (Oregon)	90PX052X (Oregon) 90PX056X (Oregon)	
Sværdtype	144MLEA041 (Oregon)	144MLEA041 (Oregon) 164MLEA041 (Oregon)	
Kapacitet på oliebeholderen til kæden	150 ml	150 ml	
Vægt (uden batteripakke, kædehylster)	3,81 Kg	3,86 Kg	
Målt lydeffekt L_{WA}	96,73 dB(A) $K_{WA}=2,5$ dB(A)	96,4 dB(A) $K_{WA}=2,5$ dB(A)	
Lydtryk ved brugerens øre L_{PA}	85,73 dB(A) $K_{PA}=2,5$ dB(A)	85,4 dB(A) $K_{PA}=2,5$ dB(A)	
Garanteret lydeffekt L_{WA} (målt i henhold til 2000/14/EC)	100 dB(A)	99 dB(A)	
Vibration a_h	Bageste håndtag	5,373 m/s ² K=1,5 m/s ²	3,222 m/s ² K=1,5 m/s ²
	Forreste håndtag	4,146 m/s ² K=1,5 m/s ²	3,081 m/s ² K=1,5 m/s ²

- Den angivne samlede vibrationsstyrke er blevet målt i overensstemmelse med en standard testmetode, og kan bruges til at sammenligne et apparat med et andet.
- Den angivne samlede vibrationsstyrke kan også bruges i en foreløbig vurdering af eksponeringen.

Bemærk: Vibrationsemissionen under den faktiske anvendelse af apparatet, kan afvige fra den angivne værdi fra testen. For at beskytte brugeren, skal denne bruge handsker og høreværn, når apparatet bruges.

PAKNINGSLISTE

DELNAVN	ANTAL
Motorhus	1
Savkæde	1
Sværd	1
Kædehylster	1
Brugsvejledning	1

BESKRIVELSE

GØR DIG BEKENDT MED DIN MOTORSAV (billede A)

- Gashåndtag
- Låseknop
- Udløserknop til batteriet
- Låg til oliebeholder
- Vindue til olietjek
- Savkæde
- Savsværd
- Lås
- Udstødningsmekanisme
- Strømkontakter
- Kædebremsehåndtag
- Håndtag til stramning af kæden
- Forreste håndtag
- Bageste håndtag
- Skrue til stramning af kæden
- Sidebeslag
- Håndtag til sidebeslag
- Kædehylster
- Hul til smøring
- Tandhjul på spidsen af sværdet

BEMÆRK: Kædebremsehåndtaget bruges til at slå kædebremsen til. Den beskytter også mod fremspringende grene og forhindrer venstre hånd i at røre ved savkæden, hvis du mister grebet på det forreste håndtag.

SAMLING

ADVARSEL: Hvis nogen af delene er beskadiget eller mangler, må du ikke anvende dette produkt, før delene udskiftes. Hvis dette produkt bruges med beskadigede eller manglende dele, kan det føre til alvorlige personskader.

DK

ADVARSEL: Undlad at ændre dette produkt eller lave tilbehør, der ikke anbefales til brug med denne motorsav. Alle sådanne ændringer eller modifikationer anses for at være misbrug, hvilket kan være farligt og føre til alvorlige personskader.

ADVARSEL: For at forhindre, at apparatet startes ved et uheld, som kan føre til alvorlige personskader, skal batteripakken altid tages ud, når delene sættes på.

MONTERING/UDSKIFTNING AF SVÆRDET OG KÆDEN

ADVARSEL: Brug altid handsker, når sværdet og kæden håndteres. Disse komponenter er skarpe, og kan have grater.

- Læg motorhuset på siden med sidebeslaget vendt opad (billede H).
- Drej håndtaget på sidebeslaget mod uret, for at tage beslaget af, og løsn derefter håndtaget til stramning af kæden så meget som muligt.
- Læg den nye savkæde i ring på en plan flade, og sørg for at den ligger fladt (billede I).
- Sæt kæden på rillen på sværdet, og sørg for at kæden danner en løkke på bagsiden af sværdet (billede J).
- Hold kæden på plads på sværdet, og sæt kædeløkken omkring tandhjul på motorhuset.
- Sæt hullet i sværdet over justeringsflangerne, indtil stiften til justering af kæden spænding sættes i det nedre hul for enden af sværdet (billede L1).

BEMÆRK: Savkæden har indgraveret små retningspile. Der er støbt en anden retningspil i huset. Når savkæden sætter omkring tandhjulet, skal du sørge for at retningen på pilene på savkæden passer med retningen af pilen på huset. Hvis pilene ikke peger i samme retning, skal savkæden og sværdet vendes om (billede L2).

- Sæt sidebeslaget på igen, og spænd håndtaget på sidebeslaget.
- Løft spidsen af sværdet op, og se om kæden hænger (billede K). Slip spidsen af sværdet, og drej håndtaget til stramning af kæden med uret. Gentag denne proces, indtil kæden sidder stramt.
- Stram håndtaget til sidebeslaget, og sørg for at savkæden er spændt ordentligt fast før brug.

Følgende er en beskrivelse af delene på billede J og L:

J-1	Kædeled	L-2	Stift til justering af kædens spænding
J-2	Rille på savsværdet	L-3	Hul i savsværdet
L-1	Justeringsflange	L-4	Tandhjul

BEMÆRK: For at forlænge savsværdets levetid, skal det

regelmæssigt vendes om.

BEMÆRK: Hvis kæden er for stram, kan den ikke dreje rundt. Løsn håndtaget på sidebeslaget, og drej håndtaget til kædestramning én gang fra højre til venstre. Løft spidsen af sværdet opad, og spænd håndtaget til sidebeslaget ordentligt fast. Sørg for at kæden kan dreje rundt uden binding.

SÅDAN JUSTERES KÆDESPÆNDINGEN

- Stop motoren og tag batteripakken ud, inden kædespændingen justeres. Sørg for håndtaget på sidebeslaget løsnes. Drej håndtaget til stramning af kæden med uret, for at stamme kæde kæden. Du kan læse mere i afsnittet: "SÅDAN SKIFTES SAVSVÆRDET OG KÆDEN".
- En kold kæde er korrekt spændt, når den ikke hænger på undersiden af sværdet og den sidder fast, men stadig kan dreje rundt uden at binde. Kæden skal spændes når de flade dele på leddene ikke sidder i rillen på savsværdet.
- Under normalt brug af saven, stiger kædens temperatur. Leddene på en korrekt spændt varm kæde skal hænge ca. 1,3 mm fra rillen på savsværdet (billede M).

BEMÆRK: Nye kæder har tendens til at udvide sig. Tjek regelmæssigt kædespændingen og spænd kæden, hvis nødvendigt.

BEMÆRK: Hvis en kæde strammes, når den er varm, bliver den muligvis for stram, når den bliver kold. Kædens spænding skal tjekkes, når den er kold og inden efterfølgende brug.

BETJENING

ADVARSEL: Selvom du får kendskab til motorsaven, skal du stadig passe på, når den bruges. Husk på, at det kan føre til alvorlige skader, hvis du ikke er opmærksom i blot et sekund.

ADVARSEL: Brug altid øjenbeskyttelse med sideskærme. Hvis ikke, kan du få genstande i øjnene, og andre skader kan opstå.

ADVARSEL: Undgå, at bruge dele eller tilbehør, der ikke anbefales af producenten af dette produkt. Hvis der bruges dele eller tilbehør, der ikke anbefales, kan det føre til alvorlige personskader.

⚠ ADVARSEL: For at forhindre, at apparatet startes ved et uheld, som kan føre til alvorlige personskader, skal batteripakken altid tages ud, når dele sættes på, motorsaven justeres og rengøres og når den ikke er i brug.

Før hver brug, skal hele motorsaven ses efter for skader, manglende eller løse dele, såsom skruer, møtrikker, bolte, hætter, osv. Fastspænd alle skruer og hætter, og undgå at bruge produkt, før alle manglende eller beskadigede dele er skiftet.

BRUG

Dette produkt er beregnet til almindelig fældning, afkvistning, beskæring og savning af træstammer og træer.

BEMÆRK: Værktøjet må kun bruges til dets tilsigtede formål. Al anden brug anses for at være misbrug.

SÅDAN PÅFYLDES OLIEBEHOLDEREN TIL SMØRING AF SAVSVARDET OG KÆDEN

⚠ ADVARSEL: Der må ikke ryges eller være åbne flammer i nærheden af olien eller motorsaven. Olie kan spille, som kan føre til brand.

BEMÆRK: Kædesav er ikke fyldt med olie, når den købes. Der skal fyldes olie på motorsaven inden brug. Kæden smøres automatisk med kædeolien, når saven bruges.

1. Læg motorsaven på siden med dækslet til oliebeholderen mod dig selv.
2. Rengør dækslet, samt området omkring det, og drej det derefter mod uret for at tage det af (billede N).
3. Hæld forsigtigt olien i beholderen op til filterhalsen.
4. Tør eventuelle olierester af, og sæt dækslet på igen.

BEMÆRK: Når motorsaven vender rigtigt, skal olien fylde ruden. Når du ikke længere kan se nogen olie i ruden, skal du holde op med at bruge motorsaven, og fylde olie på den.

SÅDAN SÆTTES BATTERIPAKKEN I OG TAGES UD

Batteripakken skal lades helt op inden brug.

Sådan sættes batteripakken i (billede O)

Sørg for at rillerne på batteripakken passer med rillerne i batterirummet, og tryk batteripakken ned, indtil du hører et "klik".

Sådan tages batteripakken ud (billede P)

Tryk på udløseren til batteripakken, og tryk den ud.

SÅDAN STARTES/STOPPES MOTORSAVEN

BEMÆRK: Inden motorsaven startes, skal den tjekkes for olie, tænderne på kæden skal tjekkes og bremsehåndtaget skal tjekkes. Du skal desuden have et godt fodfæste og holde en korrekt afstand fra jorden.

Sådan startes motorsaven

1. Slå kædebremsehåndtaget til, ved at trække det mod det forreste håndtag (billede G).
2. Tag ordentligt fat i forreste og bageste håndtag med begge hænder.
3. Tryk først låseknappen ind, og tryk derefter på gashåndtaget, for at starte motorsaven (billede Q). Slip låseknappen, men hold fortsat gashåndtaget nede, for at holde motorsaven i gang.

⚠ ADVARSEL: Motorsaven må ikke startes, hvis savkæden sidder i et træ.

Sådan stoppes motorsaven

1. Slip gashåndtaget.
2. Tryk kædebremsehåndtaget frem, for at bremse kæden (billede G).

⚠ ADVARSEL: Tag altid batteripakken ud af motorsaven, hvis du holder en pause og når du er færdig med at bruge motorsaven.

Sådan holder du et korrekt greb om håndtagene (billede E)

- Brug skridsikre handsker, så du får et maksimalt greb og beskyttelse.
- Hold fast med begge hænder med saven på en stabil og flad overflade.
- Tag altid fast i det forreste håndtag med venstre hånd og i det bageste håndtag med højre hånd.
- Fingrene skal omringe håndtaget, med tommelfingeren under det forreste håndtag.

⚠ ADVARSEL: Brug aldrig et venstrehåndsgreb (kejthåndet). Og stå aldrig på måde, som ville placere din krop eller arm i savelinjen (billede R).

Ordentlig holdning under brug (billede S)

- Stå med begge ben fast på jorden, med din vægt fordelt jævnt på begge fødder.
- Venstre arm skal være lige, med albuen låst. Dette hjælper til at modstå kræfterne, der genereres ved et tilbageslag.
- Din krop skal altid være til venstre for savelinjen.

VEJLEDNING OM KORREKTE TEKNIKKER TIL GRUNDLÆGGENDE FÆLDNING, AFKVISTNING OG TVÆRGÅENDE SAVNING

⚠ ADVARSEL: Sørg altid for at du har et godt fodfæste, og hold ordentligt fast i motorsaven med begge hænder, når den er i gang.

DK

⚠ ADVARSEL: Hvis motorsaven kommer i klemme og stopper, skal du slippe gashåndtaget, og tag derefter motorsaven ud af træet, inden den startes igen.

⚠ ADVARSEL: Træk ikke i savkæden med hånden, hvis den sidder fast. Dette kan føre til alvorlige skader, hvis motorsavet starter ved et uheld. Tryk motorsaven mod træet, og ryk den frem og tilbage, så skidtet kommer ud. Batteripakken skal altid tages ud, inden motorsaven rengøres. Brug kraftige beskyttelseshandsker, når du håndterer kædesaven.

⚠ ADVARSEL: Motorsaven må aldrig startes, når den er i kontakt med træ. Sørg altid for at motorsaven kører med fuld hastighed, inden du begynder at save.

Sådan fældes et træ

- Når to eller flere personer arbejder i samme område, hvor træ fældes og træstammer saves over, skal træet fældes mindst to træ-længder væk fra stedet, hvor bukkene bruges. Træer må ikke fældes på en måde, der bringer andre personer i fare, ramme elkabler eller på nogen måde skade ejendomme. Hvis træet rammer nogen elkabler, skal elselskabet straks underrettes.
- Brugeren af motorsaven skal stå på den øverste del af skråningen, da træet sandsynligvis ruller eller glider ned ad skråningen, når det fældes.
- Sørg for der er en fri gang, hvor man kan komme væk fra træet, inden træet fældes. Gangen skal være lige og gå i modsat retning af, hvor træet regnes med at falde, som vist på billede T.
- Inden træet fældes, skal du se hvilken retning træet hælder til, hvor de større grene sidder på træet og i hvilken retning vinden blæser, så du kan vurdere, hvilken retning træet vil vælte i.
- Fjern jord, sten, løs bark, søm, hæfteklammer og kabler fra træet

Udskæring

Lav en udskæring 1/3 ind i træstammen i retningen, som træet skal falde, som vist på billede U. Lav først den nederste vandrette udskæring. Dette reducerer chancen for at savkæden eller sværdet sidder fast, når den anden udskæring laves.

Fældesnit

- Lav fældesnippet mindst 50 mm over det vandrette udskæring, som vist på billede U. Sørg for at fældesnippet er parallelt med den vandrette udskæring. Lav fældesnippet, så det resterende træ virker som et form for hængsel. Hængseltræet holder træet fra at dreje, og derved falde i den forkerte retning. Hængseltræet må ikke skæres over.

- Når fældningen kommer tæt på hængslet, begynder træet af falde. Hvis der er chance for, at træet ikke falder i den ønskede retning eller hvis det begynder at læne i den forkerte retning og fastklemmer saven, skal du holde op med at save. Brug i stedet for kiler af træ, plast eller aluminium til at åbne snittet, så træet begynder at hælde eller falder i den rigtige retning.
- Når træet begynder at falde, skal du tage motorsaven ud af snittet, stoppe den og sætte den på jorden. Gå derefter væk fra træet via den planlagte gang. Hold øje med det faldende træ, og hvor du går.

Følgende er en beskrivelse af delene på billede T og U:

T-1	Fælderetning	U-2	Udskæring
T-2	Sikker gangsti	U-3	Fældesnit
U-1	Faldretning	U-4	Hængsel

Afkvstning af træ

Afkvstning er når man saver grenene af det fældet træ. Når du afkvister, skal du efterlade større grene forned, som kan holde stammen over jorden. Sav de små grene af i et snit, som vist på billede V. Grene, der er under spænd, skal saves over fra undersiden, så saven ikke kommer i klemme.

Opskæring af træstammer

- Opskæring er når man saver en træstamme i stykker. Det er vigtigt at dit du har et godt fodfæste, og at din vægt er fordelt jævnt på begge fødder. Træstammen skal hæves og støttes, enten med bukke, andre træstammer eller træklodser, hvis muligt. Følg de enkle anvisninger for nem opskæring.
- Hvis hele træstammen er støttet, som vist på billede W, saves den først over i toppen.
- Hvis træstammen er støttet i den ene ende, som vist på billede W2, skal du lave et snit ca. 1/3 ind i stammen fra undersiden. Sav derefter resten af stammen over fra oven, og ned til det første snit.
- Hvis træstammen er støttet i begge ender, som vist på billede W3, skal du lave et snit ca. 1/3 ind i stammen fra oversiden. Sav derefter resten af stammens 2/3 over fra undersiden, og op til det første snit.
- Hvis træstammen saves over på en skråning, skal du altid højere op end træstammen, som vist på billede X.
- Hvis stammen skal saves helt over på en gang, skal du trykke mindre, når stammen er ved at være savet over, uden at afslappe dit greb. Undgå, at kæden røre ved jorden. Når stammen er savet over, skal du vente indtil den er stoppet helt, inden den flyttes. Motoren skal altid stoppes, inden du går videre med næste træ.

VEDLIGEHOLDELSE:

⚠ ADVARSEL: Hvis apparatet skal repareres, må der kun bruges originale reservedele. Brug af andre dele kan føre til fare eller produktskader.

⚠ ADVARSEL: Sørg altid for at bruge beskyttelseshandsker, når du udfører vedligeholdelsesarbejde på en motorsav.

⚠ ADVARSEL: For at undgå alvorlige personskader, skal batteripakken tages ud af motorsaven inden den ses efter, rengøres eller vedligeholdes. Et batteridrevet værktøj med batteripakken i, er altid tændt og kan starte ved et uheld.

⚠ ADVARSEL: Motorsaven må IKKE nedsænkes i vand eller andre væsker, når den rengøres.

⚠ ADVARSEL: Plastikdelene må aldrig komme i kontakt med bremsevæske, benzin, petroleum-baserede produkter, gennemtrængende olie, osv. Kemikalier kan beskadige, svække og ødelægge plastik, hvilket kan føre til alvorlige personskader.

RENGØRING

- Efter hver brug, skal kæden og savsværdet rengøres for rester med en blød børste. Tør motorsavens overflade af med en ren klud, fugtet med en mild sæbeopløsning.
- Fjern sidebeslaget, og brug derefter en blød børste til at fjerne snavs fra sværdet, kæden, tandhjulet og sidebeslaget.
- Rengør altid rillen på savsværdet for træflis, savsmuld og skidt, inden kæden sættes på.

SÅDAN SKIFTES SAVSVÆRDET OG KÆDEN

⚠ ADVARSEL: Kæden må aldrig røres ved eller justeres, når motoren kører. Savkæden er meget skarp.

BEMÆRK: Når savsværdet og kæden skal skiftes, skal du altid bruge savsværd og kæder, som er angivet i vejledningen.

Sådan tages et nedslidt savsværd og kæde af (billede Y)

1. Tag batteripakken ud, lad motorsaven køle ned og stram dækslet på olieholderen.
2. Læg motorsaven på siden med sidebeslaget vendt opad.
3. Brug handsker. Drej håndtaget på sidebeslaget mod uret, og tag sidebeslaget af. Rengør sidebeslaget med en tør klud.

BEMÆRK: Dette er et godt tidspunkt at se tandhjulet efter for slid og skader.

Saml det nye savsværd og kæde

Følg instruktionerne i afsnittet **SAMLING/UDSKIFTNING AF SAVSVÆRDET OG KÆDEN** i denne vejledning.

Justere kædespændingen

Følg instruktionerne i afsnittet **SÅDAN JUSTERES KÆDE-SPÆNDINGEN** i denne vejledning.

VEDLIGEHOLDELSE AF KÆDEN

⚠ ADVARSEL: Brug altid handsker når du håndterer savkæden. Disse komponenter er skarpe og kan have grater.

Brug kun kæder, der reducerer chancen for tilbageslag. Den hurtige savkæde reducerer chancen for tilbageslag, når den vedligeholdes ordentligt.

En ordentlig slebet kæde kan nemt save gennem træ, også uden meget pres.

Brug aldrig en nedslidt eller beskadigede savkæde. En nedslidt kæde øger den fysiske belastning, får motorsaven til at vibrere mere og save dårligere, og slider mere på motorsaven.

For nem og hurtig skæring, skal kæden vedligeholdes ordentligt. Kæden skal slibes, hvis træfliserne bliver små og ligner savsmuld, hvis motorsaven skal tvinges gennem træet eller hvis motorsaven saver til den ene side. Når kæden vedligeholdes, skal du holde øje med følgende:

- Forkert slibevinkel på sidepladen kan øge risikoen for alvorlige tilbageslag.
- Indstilling af dybdemåleren. Hvis den er for lav, øges risikoen for tilbageslag. Hvis den er for høj, reduceres saveevnen.
- Hvis skæretænderne har ramt hårde genstande, såsom søm eller sten, eller er blevet slidt af mudder eller sand på træet, skal kæden slibes af en kvalificeret servicetekniker.

BEMÆRK: Se tandhjulet efter for slid og skader, når du skifter kæden. Hvis der er tegn på slid eller skader i de angivne områder, skal tandhjulet skiftes af en kvalificeret servicetekniker.

VEDLIGEHOLDELSE AF SAVSVÆRDET

Når sværdet viser tegn på slid, skal det vendes om, så slidtagningen fordeles og levetiden forlænges. Sværdet skal rengøres hver dag efter brug, og ses efter for slid og skader. Udtynding og afgratning på rillen af sværdet er et normalt tegn på slid. Sådanne fejl skal jævnes ud med en fil, så snart de opstår. Et sværd med en af følgende fejl, skal skiftes.

- Slid på indersiden af rillen på sværdet, som får kæden til at køre skævt.

DK



- Et bøjet sværd.
- Revnede eller ødelagte riller.
- Udvidede riller.

Derudover har sværdet et tandhjul på spidsen (billede A-20). Tandhjulet skal smøres ugentligt med en fedtsprøjte, så dets levetid forlænges. Brug ugentligt en fedtsprøjte til at smøre med kædeolie via smøringshullet (billede A-19). Drej sværdet og sørg for at smøringshullerne og kæderillen er fri for urenheder.

TRANSPORT OG OPBEVARING

- Motorsaven må ikke opbevares eller transporteres, når den kører. Batteripakken skal altid tages ud, inden motorsaven gemmes væk og transporteres.
- Sæt altid skeden på sværdet og hylsteret på kæden, inden motorsaven gemmes væk eller transporteres. Vær forsigtig med ikke at røre de skarpe tænder på kæden.
- Rengør motorsaven grundigt før opbevaring. Motorsaven skal opbevares indendørs på et tørt sted, der er låst og/eller utilgængelige for børn.
- Motorsaven skal holdes væk fra ætsende stoffer, såsom havekemikalier og salte til is.

DK

Beskyttelse af miljøet



Elektrisk udstyr, batterier, opladere og genopladelige batterier må ikke bortskaffes med almindeligt husholdningssaffald!

Ifølge EU-lovene 2012/19/EC og 2006/66/EU, skal elektrisk og elektronisk udstyr, der ikke længere er brugbart, samt defekte og opbrugte batteripakker/batterier, indsamles særskilt.

Hvis elektriske apparater bortskaffes på lossepladser, kan farlige stoffer lække i grundvandet og komme ind i fødekæden, som kan være skadeligt for din sundhed og velvære.

EF-OVERENSSTEMMELSESERKLÆRING

Vi, CHERVON EUROPE LTD.

47 CASTLE STREET, READING, RG1 7SR, UNITED KINGDOM
Erklærer, at dette produkt - en ledningsfri motorsav med et **56 V litium-batteri CS1400E/CS1600E** - overholder de væsentlige sikkerheds- og sundhedskrav i følgende direktiver:

2006/42/EC, 2004/108/EC, 2011/65/EU, 2000/14/EC

Standarder og tekniske specifikationer kan findes her:

EN 60745-1, EN 60745-2-13, EN 55014-1, EN 55014-2

	CS1400E	CS1600E
Målt lydeffekt	96,73 dB(A)	96,4 dB(A)
Garanteret lydeffekt	100 dB(A)	99 dB(A)

Peter Melrose
Visedirektør for Chervon Europa

Dong Jianxun
kvalitetschef for Chervon

* (Autoriseret repræsentant for CHERVON og ansvarlig for tekniske dokumentationer)

01/01/2016

Navn, adresse og id-nummer på det bemyndigede organ:
TüV Rheinland LGA Products GmbH; Tillystra 2 D - 90431
Nürnberg, Germany; 0197.

Nummer på undersøgelsescertifikatet fra EU:
BM 50326004 0001 (CS1600E)
BM 50296271 0001 (CS1400E)

FEJLFINDING

⚠ ADVARSEL: Beskyt altid dine hænder ved at bruge kraftige handsker, når du udfører vedligeholdelsesarbejde på savkæden. Batteripakken skal altid tages ud, hvis motorsaven skal repareres eller transporteres et andet sted hen.

PROBLEM	ÅRSAG	LØSNING
Motoren kører ikke	<ul style="list-style-type: none"> ■ Batteripakken er ikke sat i motorsaven. ■ Der er ingen elektrisk kontakt mellem saven og batteriet. ■ Batteripakken er løbet tør for strøm. ■ Batteripakken eller motorsaven er for varm. ■ Låseknappen er ikke trykket ned, inden der trykkes på gashåndtaget. ■ Kædebremsen er aktiveret. ■ Savkæden sidder fast i træet. ■ Skidt i rillen på savsværdet. ■ Snavs i sidebeslaget. 	<ul style="list-style-type: none"> ■ Sæt batteripakken i motorsaven. ■ Tag batteripakken ud, kontroller kontakterne og sæt batteripakken i igen. ■ Oplad batteripakken. ■ Lad batteripakken eller motorsaven køle ned, indtil temperaturen kommer under 67°C. ■ Tryk på låseknappen og hold den inde. Tryk derefter på gashåndtaget, for at tænde for motorsaven. ■ Træk kædebremsehåndtaget tilbage mod det forreste håndtag. ■ Slip gashåndtaget. Tag savkæden og savsværdet ud af træet. Start derefter motorsaven igen. ■ Tryk motorsaven mod træet, og ryk den frem og tilbage, så skidt kommer ud. ■ Tag batteripakken ud, og tag derefter sidebeslaget af og rengør evt. skidt.
Motoren kører, men kæden kører ikke rundt	<ul style="list-style-type: none"> ■ Kæden kører ikke på tandhjulet. 	<ul style="list-style-type: none"> ■ Sæt kæden på igen, og sørg for at leddene på kæden sidder ordentligt på tandhjulet.
Kædebremsen aktiveres ikke	<ul style="list-style-type: none"> ■ Snavs forhindrer kædebremsehåndtaget i at kunne bevæges. ■ Mulig funktionsfejl på kædebremsen 	<ul style="list-style-type: none"> ■ Rengør for snavs på den eksterne kædebremsemekanisme. ■ Kontakt EGO's kundeservice

DK

PROBLEM	ÅRSAG	LØSNING
Motorsaven saver ikke ordentligt	<ul style="list-style-type: none"> ■ Kæden er ikke strammet ordentligt. ■ Kæden er døv. ■ Kæden er sat omvendt på. ■ Kæden er slidt. ■ Kæden er tør eller sidder for stramt. ■ Kæder kører ikke i rillen på savsværdet. 	<ul style="list-style-type: none"> ■ Juster kædestramningen i henhold til vejledningerne i afsnittet: "SÅDAN JUSTERES KÆDESPÆNDINGEN". ■ Slib tænderne på kæden i henhold til vejledningerne i afsnittet: "SÅDAN SLIBES TÆNDERNE PÅ KÆDEN". ■ Sæt kæden på igen i henhold til vejledningerne i afsnittet: "SÅDAN SKIFTES SAVSVÆRDET OG KÆDEN". ■ Skift kæden i henhold til vejledningerne i afsnittet: "SÅDAN SKIFTES SAVSVÆRDET OG KÆDEN". ■ Tjek olien. Fyld olie på, hvis nødvendigt. ■ Sæt kæden på igen i henhold til vejledningerne i afsnittet: "SÅDAN SKIFTES SAVSVÆRDET OG KÆDEN".
Savsværdet og kæden bliver varm og ryger	<ul style="list-style-type: none"> ■ Sørg for at kæden ikke er strammet for meget. ■ Der er ikke mere olie i oliebeholderen. ■ Snavs i rillen på savsværdet. 	<ul style="list-style-type: none"> ■ Juster kædespændingen i henhold til vejledningerne i afsnittet: "SÅDAN JUSTERES KÆDESPÆNDINGEN". ■ Sørg for at der er nok smøremiddel til savsværdet og kæden. ■ Fjern snavs i rillen.

DK

GARANTI

EGO's GARANTIPOLITIK

Besøg venligst hjemmesiden egopowerplus.com for fuldstændige vilkår og betingelser for EGO's garantipolitik.

LÄS IGENOM ALLA INSTRUKTIONER!



LÄS IGENOM OCH FÖRSTÅ BRUKSANVISNINGEN

⚠ Dolda risker! Personer med elektroniska enheter såsom pacemaker skall rådfråga sin läkare innan denna produkt används. Hantering av elektrisk utrustning i närheten av en hjärtpacemaker kan orsaka störningar eller funktionsfel hos pacemakern.

⚠ VARNING: Alla reparationer bör utföras av en kvalificerad servicetekniker för att upprätthålla produktens säkerhet och driftssäkerhet.

SÄKERHETSSYMBOLER

Syftet med säkerhetssymboler är att fästa din uppmärksamhet på eventuella risker. Säkerhetssymbolerna och deras betydelser bör uppmärksammas noga och förstås. Själva varningssymboler kan dock inte förebygga någon fara. De instruktioner och varningar som de hänvisar till kan aldrig ersätta lämpliga olycksförebyggande åtgärder.

⚠ VARNING: Se till att läsa igenom och förstå alla säkerhetsinstruktioner i bruksanvisningen, inklusive alla varningssymboler såsom **“RISK”**, **“VARNING”** och **“VAR FÖRSIKTIG”**, innan produkten tas i bruk. Underlåtenhet att följa alla nedan angivna instruktioner kan leda till elstöt, brand och/eller svår personskada.

SYMBOLERNAS BETYDELSE

SÄKERHETSRELATERAD VARNINGSSYMBOL: Betecknar **RISK**, **VARNING** eller **VAR FÖRSIKTIG**. Kan förekomma i samband med andra symboler eller piktogram.





⚠ VARNING: Arbete med eldrivna verktyg kan medföra att främmande föremål slungas upp i ögonen vilket kan orsaka svåra ögonskador. Ta alltid på dig skyddsglasögon eller skyddsglasögon med sidoskydd och vid behov ett komplett ansiktsskydd innan du börjar arbeta med eldrivna verktyg. Vi rekommenderar att använda en Wide Vision Safety Mask ovanpå glasögon eller vanliga skyddsglasögon med sidoskydd.

SÄKERHETSINSTRUKTIONER

På denna sida anges säkerhetssymboler som kan förekomma på produkten. Alla instruktioner som anges på enheten bör granskas, förstås och följas innan du försöker montera och använda den.

	Säkerhetsvarning	Hänvisar till eventuell risk för personskada
	Läs igenom bruksanvisningen	Användaren bör läsa igenom bruksanvisningen för att minska risken för personskada.
	Använd skyddsglasögon	Ha alltid på dig skyddsglasögon eller skyddsglasögon med sidoskydd och ett ansiktsskydd under arbete med denna produkt.
	Använd hörselskydd	Ha alltid på dig hörselskydd under arbete med denna produkt.
	Använd skyddshjälm	Ha på dig en godkänd skyddshjälm för att skydda huvudet.
	Använd skyddshandskar	Skydda händerna med skyddshandskar när du ska hantera sågen och sågkedjan. Rejåla, halkfria handskar ger bättre grepp och skyddar händerna.
	Sågsvärd	Information om sågsvärdet.
	Var uppmärksam på rekyler	Undvik att svärdsspetsen kommer i kontakt med något föremål
	Svärd spetsrekyl	Om svärdsspetsen kommer i kontakt med ett föremål kan svärdet plötsligt svänga uppåt och bakåt vilket kan leda till svåra personskador.
	Håll med båda händerna	Använd alltid båda händerna för att hantera motorsågen
	Får inte utsättas för regn	Får inte användas i regn eller lämnas utomhus medan det regnar.
	CE	Denna produkt överensstämmer med gällande EG-direktiv.

SE

	Buller	Garanterad ljudeffektivnivå. Bulleremissioner för omgivningen enligt EG-direktiv.
	WEEE	Förbrukade elektriska produkter får inte kastas i hushållssoporna. Lämna in dem på en återvinningsstation.
V	Volt	Spänning
A	Ampere	Ström
Hz	Hertz	Frekvens (cykler per sekund)
W	Watt	Effekt
min	Minuter	Tid
	Växelström	Strömtyp
	Likström	Strömtyp eller -specifikation
n_0	Obelastad hastighet	Rotationshastighet i obelastat tillstånd
.../min	Per minut	Rotationer per minut

SE

ALLMÄNNA SÄKERHETSVARNINGAR FÖR ELVERKTYG

⚠ VARNING: Läs igenom alla säkerhetsvarningar och instruktioner. Underlåtenhet att följa varningarna och instruktionerna kan leda till elstöt, brand och/eller svår personskada.

Spara alla varningar och instruktioner för framtida referens

Termen "elverktyg" i varningarna syftar på ditt starkströmsdrivna (sladdanslutna) elverktyg eller batteridrivna (sladdlösa) elverktyg.

SÄKERHET I ARBETSOMRÅDET

- **Håll arbetsområdet rent och väl belyst.** Stökiga eller mörka arbetsområden kan leda till olyckor.

- **Eldrivna verktyg får inte användas i explosiva miljöer såsom i närvaro av lättantändliga vätskor, gaser eller damm.** Eldrivna verktyg kan avge gnistor som kan tända damm eller ångor.
- **Håll barn och obehöriga på avstånd under arbete med eldrivna verktyg.** Distraktioner kan få dig att tappa kontrollen.

ELSÄKERHET

- **Stickproppen av den elektriska enheten ska passa uttaget. Stickproppen får aldrig modifieras på något sätt. Använd inga adapterstickproppar med jordade elektriska enheter.** Omodifierade stickproppar och lämpliga uttag minskar risken för elstöt.
- **Undvik kroppskontakt med jordade ytor såsom rör, radiatorer, elspisar och kylskåp.** Risken för elstöt ökar när din kropp är jordad.
- **Eldrivna verktyg får inte utsättas för regn eller väta.** Intrång av vatten i verktyget ökar risken för elstöt.
- **Sladden får inte utsättas för påfrestningar. Använd inte sladden för att bära, dra eller koppla ur laddaren. Håll laddaren borta från hög värme, olja, vassa kanter eller rörliga detaljer.** Skadade eller tilltrasslade sladdar ökar risken för elstöt.
- **Om ett eldrivet verktyg används utomhus, använd en förlängningsladd som är lämplig för utomhusbruk.** Sladdar för utomhusbruk minskar risken för elstöt.
- **Om användning av ett eldrivet verktyg i en fuktig miljö är oundviklig, använd ett strömnät som är skyddat med en jordfelsbrytare (RCD).** Användning av jordfelsbrytare minskar risken för elstöt

PERSONLIG SÄKERHET

- **Var uppmärksam, se vad du gör och använd sunt förnuft vid användning av ett eldrivet verktyg.** Eldrivna verktyg får inte användas medan du är trött eller påverkad av narkotika, alkohol eller läkemedel. Ett ögonblicks ouppmärksamhet under användning av ett eldrivet verktyg kan leda till svåra personskador
- **Använd personlig skyddsutrustning. Använd alltid skyddsglasögon.** Skyddsutrustning såsom dammask, halkfria skyddsskor, hjälm eller hörselskydd som är lämplig för aktuella förhållanden förebygger personskador.
- **Undvik oavsiktlig start. Se till att huvudströmbrytaren är i avstängt läge innan du ansluter verktyget och/eller batteripacket eller lyfter upp eller bär verktyget.** Olyckor kan hända om du bär eldrivna verktyg med fingret på strömbrytaren eller startar eldrivna verktyg med strömbrytaren i påslaget läge

- **Avlägsna eventuell justeringsnyckel eller annan nyckel innan verktyget slås på.** En nyckel som har lämnats på ett roterande maskindel kan orsaka personskadorna.
- **Sträck dig inte för långt. Se till att du hela tiden har säkert fotfäste och balans.** Så har du bättre kontroll över det eldrivna verktyget i oväntade situationer.
- **Ha på dig lämpliga kläder. Använd inga löst sittande kläder eller smycken. Håll håret, kläderna och handskarna borta från rörliga detaljer.** Lösa kläder, smycken eller långt hår kan fastna i rörliga detaljer.
- **Vid verktyg som är försedda med anslutningar för utsugning och uppsamling av damm ska du se till att dessa ansluts och används korrekt.** Användning av dammsug kan minska dammrelaterade risker.

ANVÄNDNING OCH SKÖTSEL AV ELDRIVNA VERKTYG

- **Det eldrivna verktyget får inte överbelastas. Använd ett lämpligt verktyg för det aktuella arbetet.** Rätt verktyg fungerar bättre och säkrare vid hastigheter som det är avsett för.
- **Det eldrivna verktyget får inte användas om dess huvudströmbrytare inte fungerar.** Ett eldrivet verktyg som inte kan styras med huvudströmbrytaren är farligt och ska repareras.
- **Koppla loss stickproppen från uttaget och/eller batteripacket från det eldrivna verktyget före justering, byte av tillbehör eller förvaring.** Sådana förebyggande säkerhetsåtgärder minskar risken för oavsiktlig start.
- **Eldrivna verktyg som inte används ska förvaras oåtkomligt för barn. Ingen person som inte är förtrogen med det eldrivna verktyget eller dessa instruktioner får använda det eldrivna verktyget.** Eldrivna verktyg är farliga i händerna på okunniga användare.
- **Ta hand om eldrivna verktyg. Kontrollera dem för skevning eller kärvning av rörliga detaljer, skada på detaljer eller annat som kan påverka verktygets funktion. Ett skadat eldrivet verktyg ska repareras innan det används igen.** Många olyckor orsakas av bristande underhåll av eldrivna verktyg.
- **Håll skärverktyg vassa och rena.** Välskötta skärverktyg med vassa skärblad kärvar mindre och är lättare att styra.
- **Använd det eldrivna verktyget samt dess tillbehör, bits osv i enlighet med dessa instruktioner och med hänsyn till de aktuella arbetsförhållandena och arbetet som ska utföras.** Användning av eldrivna verktyg för ej avsedda ändamål kan medföra risk.

ANVÄNDNING OCH SKÖTSEL AV BATTERIDRIVNA VERKTYG

- **Ladda endast med en laddare som har specificerats av tillverkaren.** En laddare som är lämplig för en typ av batteripack kan orsaka brandrisk om den används med något annat batteripack.
- **Eldrivna verktyg får endast användas med batteripack som är uttryckligen avsedda för dem.** Användning av andra batteripack kan medföra risk för personskada och brand.
- **När batteripacket ställs av ska det hållas avskilt från andra metallföremål såsom gem, mynt, nycklar, spikar, skruvar eller andra små metallföremål som kan skapa en anslutning mellan batteripoler.** Kortslutning av batteripoler kan leda till brännskador eller brand.
- **Vid felaktig användning kan batteriet läcka vätska; undvik kontakt med vätskan. Sköj med vatten vid oavsiktlig hudkontakt. Om vätskan kommer i kontakt med ögonen, sök även läkarhjälp.** Batterivätska kan orsaka hudirritation eller brännsår.

SERVICE

- **Service bör utföras av en kvalificerad reparatör och endast med identiska reservdelar.** Detta upprätthåller säkerheten av det eldrivna verktyget.

SÄKERHETSVARNINGAR FÖR MOTORSÅGEN

- **Håll alla kroppsdelar borta från sågkedjan medan motorsågen är igång. Innan motorsågen startas, försäkra dig om att sågkedjan inte rör vid någonting.** Ett ögonblicks ouppmärksamhet under arbete med en motorsåg kan leda till att dina kläder eller någon kroppsdel fastnar i kedjan.
- **Håll motorsågen alltid med högra handen på det bakre handtaget och vänstra handen på det främre handtaget.** Omvänd position av motorsågen ökar risken för personskada och är förbjuden.
- **Håll det eldrivna verktyget endast i isolerade greppytter eftersom motorsågen kan komma i kontakt med dolda elkablar.** Om motorsågen rör vid en spänningssatt kabel kan de oskyddade metalldelarna av verktyget bli spänningssatta och ge användaren en elstöt.
- **Använd skyddsglasögon och hörselskydd. Dessutom rekommenderas ytterligare skyddsutrustning för huvudet, händerna, benen och fötterna.** Lämplig skyddsklädsel minskar risken för personskada pga flygande skräp eller oavsiktlig kontakt med sågkedjan.
- **Motorsågen får aldrig användas stående uppe i ett träd.** Användning av en motorsåg i ett träd kan leda till svåra personskadorna.

SE

- **Se alltid till att ha säkert fotfäste och använd motorsågen endast medan du står på ett fast, stadigt och jämnt underlag.** Hala eller ostadiga underlag såsom stegar kan leda till att man tappar balansen eller kontrollen över motorsågen
- **Se upp för slag pga spända grenar vid sågning.** När spänningen i träfibren släpps kan den böjda grenen träffa operatören och/eller motorsågen så att man tappar kontrollen.
- **Var ytterst försiktig vid sågning av sly och unga träd.** Smala stammar kan fastna i sågkedjan och svängas mot dig eller dra dig ur balans.
- **Bär motorsågen i det främre handtaget med sågkedjan avstängd och riktad bort från kroppen. Sätt alltid på kedjeskyddet när motorsågen ska transporteras eller ställas av.** Korrekt hantering av motorsågen minskar risken för oavsiktlig kontakt med den rörliga sågkedjan
- **Följ instruktionerna för smörjning, uppspänning av kedjan och byte av tillbehör.** Fel spänning eller felaktig smörjning av kedjan kan förstöra kedjan eller öka kastrisken.
- **Håll handtagen torra, rena och fria från olja och smörjmedel.** Oljiga handtag kan vara hala och få dig att tappa kontrollen
- **Såga endast trä. Motorsågen får inte användas för ej avsedda ändamål. T ex får motorsågen inte användas för sågning av plast, stenmaterial eller andra byggmaterial än trä.** Användning av motorsågen för ej avsedda ändamål kan leda till farliga situationer.

ORSAKER OCH FÖREBYGGANDE AV KAST (Fig. B, C, D och E)

Kast kan förekomma när svärdsspetsen kommer i kontakt med ett föremål eller när sågkedjan kläms fast i skäret.

Kontakt mellan svärdsspetsen och ett hinder kan ibland orsaka plötsligt kast så att svärdet svänger uppåt och bakåt mot operatören. (FIG. B).

Om sågkedjan på svärdets överkant kommer i kläm kan svärdet plötsligt föras bakåt mot operatören. (Fig. C).

Fig. B & C hanteringsbeskrivning se nedan:

B-1	Roterande rekyl
C-1	Linjär rekyl

Båda reaktioner kan få dig att tappa kontrollen över sågen vilket kan leda till svåra personskador. Lita inte enbart på sågens inbyggda säkerhetsanordningar.

Användaren av en motorsåg bör vidta flera olika åtgärder för att förebygga olyckor eller personskador vid sågningsarbetet.

Kast beror på felaktig användning av verktyget och/eller olämpliga arbetsmetoder eller -förhållanden och kan undvikas med hjälp av korrekta säkerhetsåtgärder enligt nedan:

- **Behåll stadigt grepp med båda händerna på motorsågen och tummarna och fingrarna runt motorsågens handtag. Ställ kroppen och armen så att du kan motstå rekylkraften (Fig. E).** Rekylkraften kan hållas under kontroll av operatören, förutsatt att lämpliga försiktighetsåtgärder vidtas. Släpp inte motorsågen.
- **Sträck dig inte för långt och såga inte ovanför axelhöjden.** Detta hjälper att förebygga oavsiktlig kontakt med svärdsspetsen och ger bättre kontroll över motorsågen i oväntade situationer.
- **Använd endast reservsvärd och -kedjor som specificeras av tillverkaren.** Olämpliga svärd och kedjor kan orsaka sönderbrytning av kedjan och/eller kast
- **Följ tillverkarens instruktioner för filning och underhåll av motorsågen.** Minskad underställning kan leda till ökad kastrisk
- **Se till att arbetsområdet är fritt från hinder.** Se till att svärdsspetsen inte kommer i kontakt med stockar, grenar, staket eller andra hinder som motorsågen kan träffa under arbetet
- **Såga alltid med maskinen på full hastighet.** Måll avtryckaren helt nedtryckt och håll jämn sågningshastighet
- **Du kan undvika att bli överraskad om du förstår de grundläggande krafterna som orsakar kast.** Plötsliga överraskningar kan leda till olyckor.
- **Se alltid till att ha säkert fotfäste och bra balans.**
- **Tryck och drag** - Reaktionskraften verkar alltid i motsatt riktning till kedjans rörelseriktning när den kommer i kontakt med träet. Dvs att operatören ska vara beredd att motstå DRAG vid sågning med svärdets nederkant och TRYCK vid sågning med svärdets överkant. (Fig. F).

MOTORSÅGENS SÄKERHETSANORDNINGAR MOT KAST Kastskydd

Motorsågen är försedd med ett kastskydd som stänger av motorn och kedjans rörelse vid kast. Kastskyddet kan aktiveras av framåtriktad rörelse av kastskyddsspaken medan sågen förs bakåt pga kast; alternativt kan det aktiveras av tröghetskraft vid snabb rörelse bakåt.

⚠ VARNING: Försök aldrig att modifiera eller avaktivera kastskyddet.

Se till att kastskyddet fungerar korrekt innan motorsågen används. Kastskyddsspaken ska lätt röra sig fram och tillbaka.

Gör så här för att testa kastskyddets funktion (Fig. G):

- Placera motorsågen på ett plant, bart underlag och se till att det inte finns några föremål eller andra hinder i närheten som kan komma i kontakt med svärdet och kedjan.
- Avaktivera kastskyddet genom att dra kastskyddsspaken mot det främre handtaget.
- Starta motorsågen.
- Tryck kastskyddsspaken i riktning mot sågens framsida. Ett korrekt fungerande kastskydd stänger omedelbart av kedjans rörelse. Om kastskyddet inte fungerar korrekt får motorsågen inte användas tills den har reparerats av en kvalificerad servicetekniker.

Fig. G hanteringsbeskrivning se nedan:

G-1	Bromshandtag för kedjerekyl i driftläge
G-2	Bromshandtag för kedjerekyl i bromsläge

⚠ VARNING: Kontrollera kastskyddets korrekta funktion före varje användning.

⚠ VARNING: Om kastskyddet är blockerat av sågspån kan kastskyddsfunktionen försämrats. Håll skyddet alltid rent.

Sågkedja med låg kastrisk

Ryttare (underställningsklackar) före varje skärtand kan minimera rekyllkraften genom att hindra skärtänderna från att skära in för djupt i kastzonen. Använd endast reservkedjor som är likvärdiga med den ursprungliga kedjan eller certifierade.

⚠ FÖRSIKTIGHET: Kedjans förmåga att förebygga kast minskar med tiden pga filning av kedjan, så var särskilt försiktig

ÖVRIGA VARNINGAR

- **Motorsågar är avsedda för att hållas med båda händerna.** Arbete med ena handen kan leda till svåra personskador för operatören, medhjälpare och/eller andra personer.
- **Undvik oavsiktlig kontakt med sågkedjan eller svärdsskenorna medan sågkedjan står stilla.** Dessa detaljer kan vara mycket vassa. Ha alltid på dig skyddshandskar och långbyxor eller benskydd medan du hanterar motorsågen, sågkedjan eller sågsvärdet.
- **Motorsågen får inte användas om den är skadad, felaktigt inställd eller inte fullständigt och säkert ihopmonterad.** Försäkra dig om att sågkedjan stannar när avtryckaren släpps.
- **Granska arbetsstycket för spikar, tråd eller andra främmande föremål före sågning.**
- **Vid kapning ska arbetsstycket fixeras före sågningen. Vid fällning eller beskärning ska man ta reda på eventuella farliga grenar och fixera dem.**

- **Aggressiv eller vårdslös sågning eller felaktig användning av motorsågen kan leda till snabb nötning av svärdet, kedjan och/eller drivhjulet, dessutom kan kedjan eller svärdet gå sönder och medföra risker pga kast, lossnad kedja eller utslungat material.**
- **Sågsvärdet får aldrig användas som en hävstång.** Ett böjt svärd kan orsaka snabb nötning av svärdet, kedjan och/eller drivhjulet eller sönderbrytning av kedjan eller svärdet vilket medför risker pga kast, lossnad kedja eller utslungat material.
- **Såga endast ett arbetsstycke i taget**
- **Använd endast med nedan angivna batteripack och laddare:**

BATTERI	LADDARE
BA1120E, BA2240E, BA2800, BA3360, BA4200	CH5500E, CH2100E

- **Batteripacket får inte laddas i regn eller väta.**
- **Planera arbetet så att arbetsområdet är fritt från hinder och att minst en reträttväg finns vid fällning av träd**
- **Vid fällning skall obehöriga hållas på ett avstånd som minst motsvarar den dubbla höjden av trädet.**
- **Var försiktig och använd sunt förnuft vid situationer som inte beskrivs i bruksanvisningen. Kontakta EGO:s kundservice för hjälp.**

SE

SVÄRD

Motorsågen är försedd med ett sågsvärd med smal spets. Svärd med smal spets är allmänt sett mindre benägna för kast. När svärdet ska bytas, se till att beställda det sågsvärd som specificeras i denna bruksanvisning.

SPARA DESSA INSTRUKTIONER!

SPECIFIKATIONER

Modell	CS1400E	CS1600E
Spänning	56 V	56 V
Svärdlängd	350 mm	400 mm
Kedjedelning	9,5 mm	9,5 mm
Kedjemått	1,1 mm	1,1 mm
Typ av kedja	90PX052X (Oregon)	90PX052X (Oregon) 90PX056X (Oregon)

Typ av svärd	144MLEA041 (Oregon)	144MLEA041 (Oregon) 164MLEA041 (Oregon)	
Volym av tanken för kedjeolja	150 ml	150 ml	
Vikt (utan batteripack och kedjeskydd)	3,81 Kg	3,86 Kg	
Uppmätt ljudeffektsnivå L_{WA}	96,73 dB(A) $K_{WA}=2,5$ dB(A)	96,4 dB(A) $K_{WA}=2,5$ dB(A)	
Ljudtrycksnivå på operatörens plats L_{PA}	85,73 dB(A) $K_{PA}=2,5$ dB(A)	85,4 dB(A) $K_{PA}=2,5$ dB(A)	
Garanterad ljudeffektsnivå L_{WA} (enligt 2000/14/EG)	100 dB(A)	99 dB(A)	
Vibration a_h	Bakre handtag	5,373 m/s ² $K=1,5$ m/s ²	3,222 m/s ² $K=1,5$ m/s ²
	Främre handtag	4,146 m/s ² $K=1,5$ m/s ²	3,081 m/s ² $K=1,5$ m/s ²

SE

- Det angivna totalvärdet för vibration är uppmätt enligt standardprovningemetoden och kan användas för att jämföra olika verktyg;
- Det angivna totalvärdet för vibration kan även användas vid preliminär utvärdering av exponering.

OBS: Den verkliga vibrationen under arbete med det eldrivna verktyget kan avvika från det angivna värdet. Användaren bör ha på sig lämpliga handskar och hörselskydd för de aktuella arbetsförhållandena för att skydda sig.

PACKNINGSLISTA

ARTIKELNAMN	ANTAL
Drivenhet av motorsågen	1
Sågkedja	1
Sågsvärd	1
Kedjeöverdrag	1
Bruksanvisning	1

BESKRIVNING

LÄR KÄNNA DIN KEDJESÅG (Fig. A)

1. Avtryckare
2. Startspärr

122

56V LITIUM-JON SLADDLÖS KEDJESÅG — CS1400E/CS1600E

3. Batterilåsknapp
4. Lock oljetank
5. Oljeinspektionsfönster
6. Sågkedja
7. Svärd
8. Spärrhake
9. Utmatningsmekanism
10. Elektrisk kontakt
11. Bromshandtag kedjerekyl
12. Kedjespänningsvred
13. Främre handtag
14. Bakre handtag
15. Kedjespänningssskruv
16. Sidokåpa
17. Sidokåpsvred
18. Kedjeöverdrag
19. Smörjhål
20. Kedjekrans i svärdsspetsen

NOTERA: Kedjans rekylbromshandtag fungerar som en spak för aktivering av kedjebromsen. Den ger också skydd mot utskjutande grenar och hjälper till att förhindra att vänstra handen vidrör sågkedjan om den halkar av fronthandtaget.

MONTERING

⚠ VARNING: Om någon detalj saknas eller är skadad eller trasig får sågen inte användas tills detaljen har blivit utbytt. Användning av produkten med skadade eller saknade detaljer kan leda till risk för svåra personskador.

⚠ VARNING: Försök aldrig att modifiera produkten eller använda tillbehör som inte rekommenderas för användning med denna motorsåg. Sådana ändringar eller modifieringar utgör felaktig användning och kan leda till farliga situationer med risk för svåra personskador.

⚠ VARNING: Ta alltid ut batteripacket ur verktyget vid montering av detaljer för att undvika oavsiktlig start som kan leda till svåra personskador.

MONTERING/BYTE AV SVÄRDET OCH KEDJAN

⚠ VARNING: Ha alltid på dig skyddshandskar när du hanterar sågkedjan; dess komponenter är vassa och även grader kan förekomma.

1. Placera motorsågens drivenhet på dess sida på ett stadigt, flat underlag med sidokåpan riktad uppåt. (Fig. H).
2. Vrid sidokåpan vred moturs för att ta bort sidans kåpa och lossa sedan kedjespänningsvreden så mycket som möjligt.

- Lägg den nya kedjan i en loop på en plan yta och räta ut alla knutar (Fig. I)
- Placera kedjans drivlänkar i spåret på svärdet. Placera kedjan så att en slinga lämnas vid svärdets bakre ände. (Fig. J).
- Håll kedjan på plats på svärdet och placera slingan runt drivhjulet på drivenheten.
- Sskjut svärdsöppningen över inriktningsflänsen tills spänningens inställningspinne är isatt i det nedre hålet på bakkdelen av svärdet (Fig. L1).

OBS: Det finns små ingraverade riktningsskyltar på sågkedjan. När sågkedjan sätts på drivhjulet, se till att riktningen av pilarna på sågkedjan stämmer överens med riktningen av pilen på höljet. Om de har hamnat i motsatta riktningar, vänd om svärdet med sågkedjan. (Fig. L2).

- Sätt tillbaka sidans kåpa och dra åt sidokåpens vred lätt.
- Lyft upp svärdsspetsen för att se om kedjan hänger (Fig. K). Släpp svärdsspetsen och vrid spänningsreglaget medurs ett varv till. Upprepa tills kedjan inte längre hänger.
- Dra åt sidokåpens vred för att garantera att sågkedjan är korrekt spänd innan användning.

Fig. J & L delarnas beskrivning se nedan:

J-1	Kedjedrivlänk	L-2	Spänningsinställningspinne
J-2	Svärdsspår	L-3	Svärdsöppning
L-1	Riktningsskylt	L-4	Kedjekrans

NOTERA: Vänd om sågsvärdet ibland för att öka dess livslängd.

OBS: Om kedjan är för hårt spänd roterar den inte. Lossa sidokåpens vred lite och vrid spänningsreglaget ett varv från höger till vänster. Lyft upp svärdsspetsen och dra åt sidokåpens vred igen. Försäkra dig om att kedjan kan rotera utan att kärva.

JUSTERING AV KEDJESPÄNNINGEN

- Stäng av motorn och ta ut batteripaketet före justering av kedjespänningen. Se till att sidokåpens vred har lossats. Vrid reglaget för kedjespänning medurs för att späna kedjan. Se avsnittet: **"BYTE AV SVÄRDET OCH KEDJAN"** ovan i bruksanvisningen för närmare information
- En kall kedja är korrekt spänd när den inte hänger slak på svärdets undersida och kedjan sitter tätt men kan roteras för hand utan att den kärvar. Kedjan ska alltid spännas när drivlänkarnas flata delar inte sitter i spåret på svärdet.
- Kedjan blir varm vid normal drift av sågen. En varm kedja är korrekt spänd när drivlänkarna hänger ca 1,3 mm utanför spåret på svärdet (Fig. M).

OBS: Nya kedjor är benägna till tänjning; kontrollera kedjespänningen ofta och spänn efter behov.

OBS: Om kedjan spänns medan den är varm kan den sitta för tätt efter att den har svalnat ned. Kontrollera spänningen av den kalla kedjan före nästa användning.

ANVÄNDNING

⚠ VARNING: Var aldrig vårdslös, även om du är väl förtrogen med verktyget. Glöm inte att en bråkdel av en sekund av ouppmärksamhet är tillräcklig för att orsaka svåra personskador.

⚠ VARNING: Använd alltid skyddsglasögon med sidoskydd. Annars kan det förekomma ögonskador pga utslungade föremål och andra svåra personskador

⚠ VARNING: Använd inga detaljer eller tillbehör som inte rekommenderas av tillverkaren av denna produkt. Användning av ej rekommenderade detaljer eller tillbehör kan leda till svåra personskador.

⚠ VARNING: För att förhindra oavsiktlig start som kan orsaka allvarliga personskador skall alltid batteripaketet tas bort från verktyget när delar monteras, inställningar görs, vid rengöring eller när den inte används.

Kontrollera hela produkten för skadade, saknade eller lösa detaljer såsom skruvar, muttrar, bultar, lock osv före varje användning. Dra åt alla fästen och lock noga och använd produkten först när alla saknade eller skadade detaljer är utbytta.

ANVÄNDNING

Denna produkt får användas för enkel fällning, kvistning, beskärning och kapning av virke och träd.

NOTERA: Verktyget får enbart användas för det föreskrivna ändamålet. All annan användning betraktas som missbruk.

PÅFYLNING AV SVÄRDS- OCH KEDJEOLJA

⚠ VARNING: Det är förbjudet att röka eller använda öppen låga i närheten av oljan eller motorsågen. Utspilld olja kan orsaka brand.

NOTERA: Kedjesågen är inte fylld med olja vid köpet. Det är väsentligt att fylla tanken med olja före användning. Kedjan smörjs automatiskt med kedjeolja under arbetet.

- Placera kedjesågen på sidan med oljetankens lock riktad uppåt.
- Rengör locket samt området runt denna och vrid sedan en moturs för att ta bort den (Fig. N).

SE

3. Håll försiktigt i den speciellt avsedda oljan i tanken tills den når botten av filterhalsen.
4. Torka bort överbliven olja och sätt tillbaka locket.

NOTERA: Med upprätt position bör oljan fylla inspektionsfönstret. När olja inte längre är synlig i inspektionsfönstret, sluta användningen omedelbart och fyll på olja.

FÄST/TA LOSS BATTERIPAKETET

Ladda fullt innan första användning.

Fästa (Fig. O)

Rikta in batteriets räfflor mot öppningarna i monteringsöppningen och tryck ned batteripaketet tills du hör ett "klick".

Ta loss (Fig. P)

Tryck på batteriets låsknapp och dra ut batteripaketet.

ATT STARTA/STÄNGA AV MOTORSÅGEN

NOTERA: Innan kedjesågen startas, kontrollera oljenivån, sågtändernas skärpa och att rekylbromshandtaget fungerar korrekt. Dessutom behövs ett stadigt fotfäste och korrekt avstånd från marken.

SE

Starta

1. Dra kastskyddsspaken mot det främre handtaget, dvs till arbetsläget. (Fig. G).
2. Ta tag i det främre och det bakre handtaget med båda händerna..
3. Tryck ned låsknappen först, tryck sedan in avtryckaren för att starta (Fig. Q). Släpp låsknappen och fortsätt att klämma in avtryckaren för fortsatt drift.

⚠ VARNING: Försök inte att starta sågen om kedjesågen är i ett sågspår.

Stoppa

1. Släpp avtryckaren.
2. Skjut kedjans rekylbromshandtag till bromspositionen för att aktivera kedjebromsen (Fig. G).

⚠ VARNING: Ta alltid ut batteripaketet ur motorsågen vid arbetspauser och efter arbetet.

Korrekt grepp på handtagen (Fig. E)

- Ha på dig halkfria skyddshandskar för maximalt grepp och skydd.
- Håll stadigt i sågen med båda händerna medan den står på ett stadigt, flat underlag.
- Ta alltid i det främre handtaget med vänstra handen och i det bakre handtaget med högra handen.

- Fingrarna ska gripa runt handtaget med tummen böjd under det främre handtaget.

⚠ VARNING: Sågen får aldrig användas i vänsterhänt (omvänt) läge eller i någon ställning där din kropp eller arm kommer i vägen för kedjelinjen.(Fig. R).

Korrekt sågningsställning (Fig. S)

- Håll båda fötterna stadigt på marken, med kroppsvikten jämnt fördelad mellan dem.
- Håll vänstra armen rak med utsträckt armbåge. Detta hjälper att motstå rekylkraften.
- Kroppen ska alltid vara belägen till vänster om kedjelinjen.

INSTRUKTIONER OM KORREKT TEKNIK FÖR GRUNDLÄGGANDE FÄLLNING, KVISTNING OCH KAPNING.

⚠ VARNING: Se alltid till att du har säkert fotfäste och håll stadigt i sågen med båda händerna medan motorn är igång.

⚠ VARNING: Om sågkedjan stannar pga fastklämning under sågningen, släpp avtryckaren; lyft ut sågkedjan och svärdet ur skäret och starta motorsågen igen.

⚠ VARNING: Försök aldrig att lossa sågkedjan med handen när den har fastnat i sågspån. Om kedjan kommer plötsligt i rörelse kan den orsaka svåra personskador. Tryck sågkedjan mot virket och flytta motorsågen fram och tillbaka för att få bort skräpet. Ta alltid ut batteripaketet innan du avlägsnar en tilltappning. Ha på dig tjocka skyddshandskar medan du hanterar sågkedjan.

⚠ VARNING: Motorsågen får inte startas medan den är i kontakt med virket. Låt motorsågen uppnå full hastighet innan sågen trycks mot virket.

Fälla ett träd

- Om kapningen och fällningen utförs av två eller fler personer på en gång bör avståndet mellan fällnings- och kapningsområdet minst motsvara den dubbla höjden av trädet som ska fällas. Träd får inte fällas så att de kan äventyra någons säkerhet, träffa en ledning eller orsaka egendomsskada. Om trädet dock träffar en ledning bör företaget som äger ledningen underrättas omedelbart.
- Operatören av motorsågen bör stå ovanför trädet på en sluttning eftersom det fällda trädet sannolikt kommer att rulla eller glida nerför sluttningen.
- En reträttväg skall planeras och rensas om så behövs innan kapningen startas. Reträttvägen skall vara bakåt och diagonalt mot baksidan av den förväntade falllinjen såsom Fig. T visar.

- Innan fällningen påbörjas, ta hänsyn till trädets naturliga lutning, placeringen av större grenar och vindriktningen för att förutse i vilken riktning trädet kommer att falla.
- Ta bort smuts, stenar, lös bark, spikar, Häftklammor och ledningar från trädet.

Öppet riktskär

Såga genom 1/3 av trädets diameter tvärs över fällriktningen i enlighet med Fig. U visar. Börja med det nedre, vågräta snittet. Så undviker man att sågkedjan eller svärdet kläms fast vid sågning av det andra snittet.

Fällskär bakifrån

- Fällskäret ska ligga minst 50 mm högre än riktskärets vågräta snitt Fig. U visar. Fällskäret ska vara parallellt med riktskärets vågräta snitt. Lämna tillräckligt med osågad ved för brytmån. Brytmånen undviker att trädet vrids och faller i fel riktning. Såga inte av brytmånen.
- När sågen närmar sig brytmånen borde trädet börja falla. Om det verkar som om trädet kan falla i fel riktning eller gunga bakåt och klämma fast sågkedjan, avbryt sågningen innan fällskäret är klart och använd trä-, plast- eller aluminiumkilar för att bända upp skäret och rikta trädet i den önskade fällriktningen.
- När trädet börjar falla, dra ut motorsågen ur skäret, stäng av motorn, ställ ner motorsågen och använd den planerade reträttvägen. Se upp för fallande grenar och se dig för.

Fig. T & U delarnas beskrivning se nedan:

T-1	Fällriktning	U-2	Skåra
T-2	Säkerhetsreträttväg	U-3	Fällningskapning
U-1	Fällriktning	U-4	Gångjärn

KVISTNING träd

Vid kvistning sågar man av grenarna från ett fällt träd. Lämna kvar några tjockare grenar vid kvistning för att stödja stammen ovanför markytan. Såga av smalare grenar med ett snitt enligt Fig. V visar. Spända grenar bör sågas från undersidan för att undvika att motorsågen fastnar.

KAPNING

- Vid kapning sågas stammen i längder. Det är viktigt att se till att du har stadigt fötfäste och att kroppsvikten är jämnt fördelad mellan fötterna. Om möjligt bör stammen vara höjd ovanför markytan och stödjas med grenar, stockar eller kilar. Följ de grundläggande instruktionerna för enkel sågning.
- När en stock stöds längs dess hela längd såsom Fig. W1 visar, kapas den från ovasidan (överkapning).

- När stocken stöds i ena änden, såsom Fig. W2 visar, kapa 1/3 av diametern från undersidan (underkapning). Gör sedan den slutliga kapningen med överkapning för att möta den första sågningen.
- När stocken stöds i båda ändarna, såsom Fig. W2 visar, kapa 1/3 av diametern från ovasidan (överkapning). Gör sedan den slutliga kapningen med underkapning den nedre 2/3 för att möta den första sågningen.
- Vid kapning i en sluttning stå alltid ovanför stocken såsom Fig. X visar.
- Vid "genomkapning", för att bibehålla fullständig kontroll lossa på sågtrycket nära änden på sågningen utan att släppa greppet om kedjesågens handtag. Låt inte kedjan komma i kontakt med marken. När sågning är klar, vänta tills sågkedjan stannar innan du flyttar kedjesågen. Stoppa alltid motorn innan du flyttar mellan träden.

UNDERHÅLL

⚠ VARNING: Använd endast identiska reservdelar vid service. Användning av andra detaljer kan leda till risker eller skada på produkten.

⚠ VARNING: Använd alltid skyddshandskar när något underhåll utförs på kedjesågen.

⚠ VARNING: Ta alltid ur batteripacket före granskning, rengöring eller underhåll för att förebygga svåra personskador. Ett batteridrivet verktyg med batteripacket isatt är ständigt driftsklart och kan startas oavsiktligt.

⚠ VARNING: Motorsågen FÅR ALDRIG placeras i vatten eller någon annan vätska vid rengöring.

⚠ VARNING: Se till att plastdetaljerna inte kommer i kontakt med bromsvätska, bensin, petroleumbaserade produkter, penetrerande oljor osv. Kemikalier kan skada, försämma eller förstöra plast vilket kan leda till svåra personskador.

RENGÖRING

- Rengör kedjan och svärdet från skräp efter varje användning med hjälp av en mjuk borste. Torka motorsågens yta med en ren trasa fuktad med mild tvålösning.
- Öppna sidokåpan och använd en mjuk borste för att rengöra svärdet, sågkedjan, drivhjulet och sidokåpan från skräp.
- Se alltid till att rengöra spåret på svärdet från sågspån, trädamm och smuts innan en ny sågkedja sätts på svärdet.

SE

BYTE AV SVÄRDET OCH KEDJAN

⚠ VARNING: Vidrör aldrig eller justera kedjan medan motorn körs. Sågkedjan är mycket vass.

NOTERA: Vid byte av svärdet och kedjan, använd alltid det specificerade svärd- och kedjekombinationen som listas i manualen.

Montera ned det uttjänta svärdet och kedjan (Fig. Y)

1. Ta ur batteriet, låt sågen svalna ned och dra åt oljetankens lock ordentligt.
2. Lägg kedjesågen på sidan med sidokåpan riktad uppåt.
3. Ha på dig skyddshandskar. Öppna sidokåpan genom att vrida sidokåpan vred moturs. Rengör sidokåpan med en torr trasa.

OBS: Nu kan man med fördel kontrollera drivhjulet för kraftig nötning eller skada.

Montera det nya svärdet och kedjan

Följ instruktionerna i avsnittet **JUSTERING AV KEDJESPÄNNINGEN** i bruksanvisningen.

Inställning av kedjespänningen

Följ instruktionerna i sektionen **INSTÄLLNING AV KEDJESPÄNNINGEN** i denna manual.

KEDJEUNDERHÅLL

⚠ VARNING: Ha alltid på dig skyddshandskar när du hanterar sågkedjan; dess komponenter är vassa och även grader kan förekomma.

Använd endast kedjor med reducerad kastrisk med denna motorsåg. Denna typ av snabbsågande kedja reduceras kastrisken vid korrekt skötsel.

En korrekt filad sågkedja sågar lätt utan att man behöver trycka hårt med sågen.

Använd aldrig en slö eller skadad sågkedja. En slö sågkedja ökar den fysiska påfrestningen, ökar vibrationen, ger dåliga sågningsresultat och nöts ner snabbare.

Sågkedjan behöver korrekt underhåll för smidig och snabb sågning. Kedjan kräver filning när sågspånet blir fint och pulverliknande, kedjan behöver forceras genom virket under sågning eller om kedjan sågar snett. Ta hänsyn till följande vid underhåll av kedjan:

- Fel filningsvinkel på skärtandssidan kan öka risken för kraftigt kast.
- Höjden av ryttare (underställning). För låg höjd ökar kastrisken. För stor höjd minskar sågningskapaciteten.

- Om skärtänderna har kommit i kontakt med något hårt föremål (t ex spikar eller stenar) eller blivit slipade av lera eller sand på virket, lämna in kedjan hos en kvalificerad servicetekniker för filning.

OBS: Granska drivhjulet för nötning och skada vid kedjebyte. Vid tecken på nötning eller skada i de angivna områdena, få drivhjulet utbytt av en kvalificerad servicetekniker.

UNDERHÅLL AV SÅGSVÄRDET

Om sågsvärdet visar tecken på nötning, vänd om det på sågen för att öka dess livslängd. Svärdet bör rengöras varje dag som sågen används och kontrolleras för nötning och skada. Flöjning eller grader på svärdsskenorna förekommer normalt vid nötning av svärdet. Släta ut sådana defekter med en fil så snart de uppstår. Vid någon av de nedan angivna felen på svärdet skall svärdet bytas ut.

- Nötning innanför svärdsskenorna som möjliggör kedjan att glappa sidlänges
- Böjt sågsvärd.
- Spruckna eller trasiga skenor
- Utböjda skenor

Sågsvärdet har även ett kedjehjul på svärdets spets. (Fig. A-20). Hjulet ska smörjas varje vecka med hjälp av en smörjmedelsspruta för att öka svärdets livslängd. Smörj varje vecka med kedjeolja med hjälp av en smörjmedelsspruta genom smörjhålet (Fig. A-19). Vänd om svärdet och kontrollera att smörjhålen och kedjespåret är rena.

TRANSPORT OCH FÖRVARING

- Motorsågen får inte ställas av eller transporteras medan den är igång. Ta alltid ut batteripacket före förvaring eller transport.
- Sätt alltid kedjeskyddet på svärdet och kedjan innan motorsågen ställs av eller transporteras. Var försiktig och undvik de vassa eggarna på kedjan.
- Rengör motorsågen noga innan den ställs av. Förvara motorsågen inomhus, i ett torrt utrymme som är låst och/eller oåtkomligt för barn
- Håll sågen på avstånd från korroderande ämnen såsom trädgårdskemikalier och avisningssalter.

SE

Miljöskydd



Elektriska enheter, batteriladdare och batterier/uppladdningsbara batterier får inte kastas med hushållsavfall!

Enligt det europeiska direktivet 2012/19/EU ska uttjänta elektriska och elektroniska enheter samlas separat och hanteras på ett miljövänligt sätt; samma gäller för defekta eller uttjänta batteripack/batterier enligt det europeiska direktivet 2006/66/EG

Om elektriska enheter hamnar i soptippar eller avfallsdepåer kan farliga ämnen läcka ut till grundvattnet, hamna i näringskedjan och skada din hälsa och ditt välmående.

EG-FÖRSÄKRAN OM ÖVERENSSTÄMMELSE

Vi, CHERVON EUROPE LTD.

47 CASTLE STREET, READING, RG1 7SR, UNITED KINGDOM

Försäkrar att produkten sladdlös motorsåg med **56V litium-jonbatteri CS1400E/CS1600E**

Uppfyller de grundläggande hälso- och säkerhetskraven enligt följande direktiv:

2006/42/EG, 2004/108/EG, 2011/65/EU, 2000/14/EG

Standarder och tekniska specifikationer refererar till:

EN 60745-1, EN 60745-2-13, EN 55014-1, EN 55014-2

	CS1400E	CS1600E
Uppmätt ljudeffektsnivå:	96,73 dB(A)	96,4 dB(A)
Garanterad ljudeffektsnivå:	100 dB(A)	99 dB(A)

Peter Melrose
VD för Chervon Europe

Dong Jianxun
Kvalitetsansvarig hos Chervon

SE

* (Auktoriserad representant för CHERVON och ansvarig för teknisk dokumentation)

01/01/2016

Namn, adress och identifikationsnummer för anmält organ:

TüV Rheinland LGA Products GmbH; Tillystra 2 D - 90431 Nürnberg, Germany; 0197.

Nummer för EG-typintyget:

BM 50326004 0001 (CS1600E)

BM 50296271 0001 (CS1400E)

FELSÖKNING

⚠ VARNING: Skydda alltid händerna med tjocka skyddshandskar vid alla underhållsåtgärder på sågkedjan. Ta alltid ut batteripacket vid service eller transport av motorsågen.

SE

PROBLEM	ORSAK	ÅTGÄRD
Motorn fungerar inte.	<ul style="list-style-type: none"> ■ Batteripacket är inte anslutet till motorsågen ■ Elektrisk anslutning mellan sågen och batteriet saknas. ■ Batteripacket är urladdat. ■ Batteripacket eller motorsågen är för varma ■ Säkringsknappen har inte tryckts ned innan avtryckaren trycks ned. ■ Kastskyddet har löst ut. ■ Sågkedjan har fastnat i virket ■ Skräp i spåret på svärdet. ■ Skräp innanför sidokåpan. 	<ul style="list-style-type: none"> ■ Anslut batteripacket till motorsågen. ■ Ta ut batteriet, kontrollera kontakterna och sätt i batteripacket igen. ■ Ladda batteripacket. ■ Låt batteripacket eller motorsågen svalna ned till temperaturen är under 67°C. ■ Håll säkringsknappen nedtryckt, tryck sedan ned avtryckaren för att starta motorsågen. ■ Dra kastskyddshandtaget bakåt, i riktning mot det främre handtaget ■ Släpp avtryckaren; lyft upp sågkedjan och svärdet från virket och starta motorsågen igen. ■ Tryck sågkedjan mot virket, flytta motorsågen fram och tillbaka för att få bort skräp. ■ Ta ut batteripacket, ta sedan ned sidokåpan och avlägsna skräpet.
Motorn fungerar men kedjan roterar inte	<ul style="list-style-type: none"> ■ Kedjan sätter inte drivhjulet i rörelse. 	<ul style="list-style-type: none"> ■ Montera kedjan på nytt, se till att kedjans drivlänkar sitter ordentligt på drivhjulet.
Kastskyddet löser inte ut	<ul style="list-style-type: none"> ■ Skräp hindrar kastskyddshandtags fulla rörelse. ■ Kastskyddet kan vara defekt. 	<ul style="list-style-type: none"> ■ Rengör den utvändiga kastskyddsmekanismen från skräp. ■ Kontakta EGO Kundtjänst.

PROBLEM	ORSAK	ÅTGÄRD
Motorsågen kapar inte korrekt	<ul style="list-style-type: none"> ■ För svag kedjespänning ■ Slö kedja. ■ Kedjan har monterats omvänd. ■ Nött kedja. ■ Torr eller sträckt kedja. ■ Kedjan sitter inte i spåret på svärdet 	<ul style="list-style-type: none"> ■ Justera kedjespänningen enligt avsnittet: “JUSTERING AV KEDJESPÄNNINGEN”. ■ Slipa eggarna på kedjan enligt avsnittet: “SLIPNING AV EGGARNA”. ■ Montera kedjan på nytt enligt avsnittet: “BYTE AV SVÄRDET OCH KEDJAN”. ■ Byt ut sågkedjan enligt avsnittet: “BYTE AV SVÄRDET OCH KEDJAN”. ■ Kontrollera oljenivån. Fyll på olja vid behov. ■ Montera sågkedjan på nytt enligt avsnittet: “BYTE AV SVÄRDET OCH KEDJAN”.
Svärdet och kedjan blir heta och ryker	<ul style="list-style-type: none"> ■ Kontrollera om kedjan är för hart spänd. ■ Oljetanken för kedjan är tom ■ Skräp i spåret på svärdet. 	<ul style="list-style-type: none"> ■ Spänn sågkedjan på nytt enligt avsnittet: “JUSTERING AV KEDJESPÄNNINGEN”. ■ Fyll på olja för svärdet och kedjan. ■ Rengör spåret från skräp.

SE

GARANTI

GARANTIVILLKOREN AV EGO

Var god besök webbplatsen egopowerplus.com för att se de fullständiga garantivillkoren av EGO

LUE KAIKKI OHJEET!



**LUE JA YMMÄRRÄ
OHJEKIRJA**

⚠ Vaara! Henkilöiden, joilla on sydämentahdistin tai muu vastaava elektroninen laite, tulisi keskustella lääkärin kanssa ennen tämän tuotteen käyttöä. Sähkölaitteiden käyttö sydämentahdistimen lähetyvillä saattaa häiritä tahdistimen toimintaa tai aiheuttaa vakavan toimintahäiriön.

⚠ VAROITUS: Valtuutetun huoltoteknikon tulee suorittaa kaikki korjaukset ja osien vaihdot, jotta voidaan taata tuotteen turvallinen ja luotettava käyttö.

TURVALLISUUSYMBOLIT

Turvamerkkien tavoitteena on kiinnittää huomio mahdollisiin vaaroihin. Sinun tulee lukea huolellisesti käyttöohjeet ja ymmärtää turvamerkit ja niiden selitteet. Turvamerkit eivät itsessään poista vaaraa. Niiden antamat ohjeet ja varoitukset eivät korvaa asianmukaisia tapaturman torjuntatoimenpiteitä.

⚠ VAROITUS: Varmista, että luet ja ymmärrät kaikki tämän käyttäjän käsikirjan turvallisuusohjeet, mukaan lukien kaikki vaaramerkit, kuten **“VAARA”**, **“VAROITUS”** ja **“HUOMIO”**, ennen kuin käytät työkalua. Alla mainittujen ohjeiden noudattamatta jättäminen voi aiheuttaa sähköiskun, tulipalon ja/tai vakavan henkilövahingon.

FI

MERKIN SISÄLTÖ

VAROITUSMERKKI: Ilmaise seuraavia: **VAARA**, **VAROITUS TAI HUOMIO**. Voidaan käyttää yhdessä muiden merkien tai kuvamerkkien kanssa.

⚠ VAROITUS: Vierasesineitä voi sähkötyökalujen käytön seurauksena lentää silmiin, ja ne voivat aiheuttaa vakavan silmävamman. Käytä aina suojalaseja tai turvalaseja sivusuojilla ja tarvittaessa kokokasvosuojusta ennen sähkötyökalun käytön aloittamista. Suosittelemme laajan näkökentän kasvosuojusta silmälasien päälle tai vakio-turvalaseja sivusuojilla.

TURVALLISUUSOHJEET

Tällä sivulla kuvataan ja esitellään turvallisuussymbolit, jotka saattavat esiintyä tässä tuotteessa. Lue, ymmärrä ja noudata kaikkia laitteen ohjeita ennen kuin yrität koota sen tai käyttää sitä.

	Turvallisuushälytys	Ilmaise mahdollista henkilövahingon vaaraa
	Lue käyttäjän käsikirja	Tapaturmariskin pienentämiseksi käyttäjän täytyy lukea käyttäjän käsikirja
	Käytä suojalaseja	Käytä aina suojalaseja tai turvalaseja sivusuojilla ja kokokasvosuojusta, kun käytät tätä tuotetta
	Käytä kuulosuojaimia	Käytä kuulosuojaimia aina, kun käytät tätä tuotetta.
	Käytä suojakypärää	Käytä hyväksyttyä suojakypärää pään suojana
	Käytä suojakäsineitä	Suojaa kädet käsiineillä, kun käsittelet sahaa ja teräketjua. Kestävät, liukumisen estävät käsineet parantavat otetta ja suojelevat käsiä
	Terälaippa	Terälaipan tiedot
	Varo takapotkua	Terälaipan kärjen osumista toiseen esineeseen tulee välttää
	Terälaipan kärjen takapotku	Kärjen osuminen toiseen esineeseen voi aiheuttaa terälaipan äkillisen ponnahtamisen ylös- ja taaksepäin, mistä voi seurata vakava vahinko
	Kahden kahden ote	Käytä aina kahta kättä, kun käytät moottorisaha
	Älä altista sateelle	Älä käytä sateessa tai jätä ulos sateeseen
	CE	Tämä tuote vastaa soveltuvia Euroopan yhteisön direktiivejä.
	Melu	Taattu äänen tehotaso. Äänipäästöt ympäristöön Euroopan yhteisön direktiivin mukaisesti.

	WEEE	Elektronisia tuotteita ei tule hävittää kotitalousjätteen mukana. Vie ne auktorisoidulle kierrättäjälle.
V	Voltti	Jännite
A	Ampeeria	Virta
Hz	Hertsi	Taajuus (sykliä sekunnissa)
W	Watti	Teho
min	Minuuttia	Aika
	Vaihtovirta	Virran tyyppi
	Tasavirta	Virran tyyppi tai virtajännite-ominaiskäyrä
n_0	Tyhjäkäyntinopeus	Pyörimisnopeus, kuormittomana
.../min	Pyörintänopeus	Kierrosta minuutissa

SÄHKÖTYÖKALUN YLEISIÄ TURVALLISUUSVAROITUKSIA

VAROITUS: Lue kaikki turvallisuusvaroitukset ja -ohjeet. Varoitusten ja ohjeiden noudattamatta jättäminen voi aiheuttaa sähköiskun, tulipalon ja/tai vakavan henkilövahingon.

Säilytä kaikki varoitukset ja ohjeet tulevaa tarvetta varten

Käsitteellä "sähkötyökalu" tarkoitetaan varoituksissa verkkokäyttöistä (johdolla varustettua) tai akkukäyttöistä (johdotonta) sähkötyökalua.

TYÖALUEEN TURVALLISUUS

- **Pidä työalue puhtaana ja hyvin valaistuna.** Epäjärjestyksessä olevilla tai hämärillä alueilla sattuu helpommin tapaturmia.
- **Älä käytä sähkötyökaluja räjähdysvaarallisissa ympäristöissä, kuten syttyvien nesteiden, bensiinin tai polyn läheisyydessä.** Sähkötyökalujen käytöstä syntyy kipinöitä, jotka voivat sytyttää pölyn tai höyryä palamaan.
- **Pidä lapset ja sivulliset loitolla, kun käytät sähkötyökalua.** Häiriötekijät voivat aiheuttaa työkalun hallinnan menettämisen.

SÄHKÖTURVALLISUUS

- **Sähkötyökalun pistokkeiden täytyy sopia pistorasiaan. Älä koskaan muuntele pistoketta millään tavalla. Älä käytä sovitinpistokkeita maadoitettujen sähkötyökalujen kanssa.** Muuntelemattomat pistokkeet ja yhteensopivat pistorasiat pienentävät sähköiskun riskiä.
- **Vältä koskettamasta maadoitettuja pintoja, kuten putkia, lämpöpattereita, liesiä ja jääkaappeja.** Maadoitettuihin pintoihin koskettaminen lisää sähköiskun riskiä.
- **Älä altista sähkötyökaluja sateelle tai märille olosuhteille.** Sähkötyökaluun tunkeutuva vesi lisää sähköiskun vaaraa.
- **Älä turmele liitäntäjohtoa. Älä koskaan kannaa tai vedä sähkötyökalua johdosta. Älä myöskään irrota sähkötyökalua pistorasiasta johdosta vetämällä. Pidä johto etäällä lämmönlähteistä, öljystä, terävistä kulmista tai liikkuvista osista.** Vioittuneet tai sotkeutuneet johdot lisäävät sähköiskun riskiä.
- **Käytä ulkokäyttöön sopivaa jatkojohtoa, kun käytät sähkötyökalua ulkona.** Ulkokäyttöön sopivan johdon käyttäminen pienentää sähköiskun riskiä.
- **Jos sähkötyökalun käyttö kosteassa tilassa on välttämätöntä, käytä vikavirtakatkaisimella suojattua virtalähdettä.** Vikavirtakatkaisimen käyttö pienentää sähköiskun riskiä.

FI

HENKILÖKOHTAINEN TURVALLISUUS

- **Pysy valppaana, keskity siihen, mitä teet ja muista terve järki, kun käytät sähkötyökalua. Älä käytä sähkötyökalua väsyneenä tai huumausaineiden, alkoholin tai lääkkeiden vaikutuksen alaisena.** Hetkellinen herpaantuminen sähkötyökalujen käytön aikana voi aiheuttaa vakavan henkilövahingon.
- **Käytä tarpeellisia suojarusteita. Käytä aina suojalaseja.** Mengityssuojaimen, liukumattomien turvajalkineiden, suojakypärän tai kuulosuojainten kaltaisten suojarusteiden tarkoituksenmukainen käyttö vähentää henkilövahinkoja.
- **Estä tahaton käynnistyminen. Varmista, että kytkin on off-asennossa ennen kuin liität työkalun virtalähteeseen ja/tai akkuyksikköön, nostat työkalun tai kannat sitä.** Sähkötyökalujen kantaminen sormen ollessa kytkimellä tai virran kytkeminen sähkötyökaluihin, joiden kytkin on on-asennossa, altistaa tapaturmille.
- **Irrota jalkoavaimet tai kiintoavaimet ennen kuin käynnistät sähkötyökalun.** Sähkötyökalun pyöriivään osaan kiinni jätetty kiinto- tai jalkoavain voi aiheuttaa henkilövahingon.

- **Älä kurkottele. Säilytä aina tukeva asento ja hyvä tasapaino.** Tällöin hallitset paremmin sähkötyökalan odottamattomissa tilanteissa.
- **Pukeudu asianmukaisesti. Älä käytä löysiä vaatteita tai koruja. Pidä hiukset, vaatteet ja käsineet kaukana liikkuvista osista.** Löysät vaatteet, korut tai pitkät hiukset voivat tarttua liikkuviin osiin.
- **Jos laitteissa on liitännät pölynpoisto- ja -keräyslaitteille, varmista, että ne on kytketty ja että niitä käytetään oikein.** Pölynpoistolaitteiden käyttö voi vähentää pölyyn liittyviä vaaroja.

SÄHKÖTYÖKALUJEN KÄYTTÖ JA YLLÄPITO

- **Älä ylikuormita sähkötyökaluja. Käytä käyttötarkoitukseen sopivaa sähkötyökaluja.** Oikealla sähkötyökallulla teet työn paremmin ja turvallisemmin sillä nopeudella, jolle se on suunniteltu.
- **Älä käytä sähkötyökaluja, jos sitä ei voi käynnistää ja sammuttaa kytkimestä.** Kaikki sähkötyökallut, joita ei voi hallita kytkimellä, ovat vaarallisia ja ne täytyy korjata.
- **Irrota pistoke virtalähteestä ja/tai akkuyksikkö sähkötyökaluista ennen säätöjen tekemistä, lisävarusteiden vaihtamista tai sähkötyökaluja varastointia.** Kyseiset ehkäisevät varoimenpiteet pienentävät riskiä sähkötyökalan käynnistymisestä vahingossa.
- **Säilytä toimettomia sähkötyökaluja lasten ulottumattomissa äläkä anna sähkötyökaluun ja näihin ohjeisiin perehtymättömien henkilöiden käyttää sähkötyökaluja.** Sähkötyökallut ovat vaarallisia tottumattomien käyttäjien käsissä.
- **Huolla sähkötyökaluja. Tarkasta seuraavat tekijät: liikkuvia osia ei ole kohdistettu väärin, niissä ei esiinny takertelua, osissa ei näy vaurioita eikä ole muita tekijöitä, jotka voivat vaikuttaa sähkötyökaluja toimintaan. Jos sähkötyökalu on vaurioitunut, korjauta se ennen käyttöä.** Monet tapaturmat johtuvat huonosti huolletuista sähkötyökaluista.
- **Pidä leikkuutyökallut terävinä ja puhtaina.** Asianmukaisesti huolletut leikkuutyökallut terävillä leikkusärmillä eivät takertele ja niitä on helpompi hallita.
- **Käytä mm. sähkötyökaluja, lisävarusteita ja työkalun vaihtoteriä näiden ohjeiden mukaisesti huomioiden myös työolosuhteet ja suoritettava työ.** Sähkötyökalan käyttö muuhun kuin suunniteltuun käyttötarkoitukseen voi aiheuttaa vaarallisen tilanteen.

FI

AKKUTYÖKALUN KÄYTTÖ JA YLLÄPITO

- **Lataa akku uudelleen vain valmistajan määrittelemällä latauslaitteella.** Latauslaite, joka sopii yhdelle akkuyksikkötyypille, voi toisen akkuyksikön kanssa käytettynä aiheuttaa tulipaloriskin.
- **Käytä sähkötyökaluja ainoastaan erityisesti niitä varten tarkoitettujen akkuyksiköiden kanssa.** Kaikkien muiden akkuyksiköiden käyttö voi aiheuttaa loukkaantumis- ja tulipaloriskin.
- **Kun akkuyksikköä ei käytetä, pidä se kaukana metalliesineistä, kuten paperiliittimistä, kolikoista, avaimista, nauloista, ruuveista tai muista pienistä metalliesineistä, jotka voivat muodostaa yhteyden napojen välille.** Akun napojen yhdistäminen voi aiheuttaa palovammoja tai tulipalon.
- **Nestettä voi vuotaa akusta, jos siihen kohdistuu iskuja; vältä tällöin kontaktia. Jos kontakti vahingossa tapahtuu, huuhtele altistunut kohta vedellä.** Jos nestettä pääsee silmiin, hakeudu välittömästi lääkärin hoitoon. Akkuneste voi aiheuttaa ärsytystä tai palovammoja.

HUOLTO

- Huollata sähkötyökalu valtuutetulla korjaajalla, joka käyttää vain valmistajan hyväksymiä varaosia. Näin voit varmistaa, että sähkötyökalu säilyy turvallisena.

MOOTTORISAHAN TURVALLISUUSVAROITUKSIA

- **Pidä kaikki kehon osat riittävällä etäisyydellä moottorisahasta sen ollessa käynnissä. Varmista ennen moottorisahan käynnistämistä, että teräketju ei osu mihinkään esineeseen.** Hetkellinen herpaantuminen moottorisahan käytön aikana voi aiheuttaa vaatetuksen kietoutumisen tai kehon osumisen ketjuun.
- **Pidä moottorisahaa aina oikea käsi takakahvalla ja vasen käsi etukahvalla.** Moottorisahan pitäminen päinvastaisella otteella lisää henkilövahingon riskiä eikä sitä siksi koskaan tule käyttää.
- **Kanna sähkötyökaluja vain eristetyistä tartuntapinnoista, koska moottorisaha voi osua piilossa oleviin johtoihin.** Jännitteeseen johtoon osuvat moottorisahat voivat tehdä sähkötyökalan näkyvät metalliosat jännitteisiksi ja käyttäjä voi saada niistä sähköiskun.
- **Käytä suojalaseja ja kuulosuojainta. Suosittelemme käyttämään myös muita suojavarusteita suojaamaan päätä, käsiä, jalkoja ja sääriä.** Riittävä suojavaatetus vähentää henkilövahinkoa, joka voi aiheutua lentävästä sahausjätteestä tai tapaturmaisesta kosketuksesta moottorisahan kanssa.

- **Älä käytä moottorisahaa puussa.** Moottorisahan käyttö ylhäällä puussa voi aiheuttaa henkilövahingon.
- **Säilytä aina tukeva asento ja käytä moottorisahaa vain, kun seisot kiinteällä, vakaalla ja tasaisella pinnalla.** Liukkaat tai epävakaat pinnat, kuten tikapuut, voivat aiheuttaa tasapainon tai moottorisahan hallinnan menettämisen.
- **Kun sahaat jännityksessä olevaa oksaa, varo jännityksen vapautumisesta seuraavaa reaktiota.** Kun puukuitujen jännitys vapautuu, jousikuormitteinen oksa voi iskeä käyttäjää ja/tai saada käyttäjän menettämään sahan hallinnan.
- **Ole erittäin varovainen, kun sahaat pieniä pensaita ja nuoria puita.** Ohut materiaali voi tarttua teräketjuun ja paiskautua kohti sinua tai horjuttaa tasapainoasi.
- **Kanna moottorisahaa etukavasta, sammutettuna ja pois päin kehostasi. Kun kuljetat moottorisahaa tai viet sen varastoon, kiinnitä aina terälaipan suoja.** Moottorisahan oikea käsittely pienentää todennäköisyyttä tapaturmaisesta kosketuksesta liikkuvan teräketjun kanssa.
- **Noudata voiteluun, ketjun kiristämiseen ja lisävarusteiden vaihtamiseen liittyviä ohjeita.** Virheellisesti kiristetty tai voideltu ketju voi joko katketa tai lisätä takapotkun mahdollisuutta.
- **Pidä kahvat kuivina, puhtaina, öljyttöminä ja rasvattomina.** Rasvaiset ja öljyiset kahvat ovat liukkaita ja voivat aiheuttaa hallinnan menettämisen.
- **Sahaa vain puuta. Älä käytä moottorisahaa muihin kuin sille suunniteltuihin käyttötarkoituksiin. Esimerkiksi: älä käytä moottorisahaa muovin, kiviutuotteiden tai muiden rakennusmateriaalien kuin puun sahaamiseen.** Moottorisahan käyttö muuhun kuin suunniteltuun käyttötarkoitukseen voi aiheuttaa vaarallisen tilanteen.

TAKAPOTKUN SYYT JA KÄYTTÄJÄN TOIMET SEN ESTÄMISEKSI (kuvat B, C, D ja E)

Takapotku voi syntyä, kun terälaipan etuosa tai kärki koskettaa esinettä tai kun se pureutuu puuhun ja puu puristaa teräketjun loveen.

Kärjen kosketus voi joissakin tapauksissa aiheuttaa äkillisen sinkoutumisreaktion, jolloin terälaippa ponnahtaa ylöspäin ja takaisin kohti käyttäjää. (kuva B).

Teräketjun puristuminen pitkän terälaipan kärkeä voi iskeä terälaipan nopeasti takaisin kohti käyttäjää (kuva C).

Kuvien B ja C käyttökuvaus alla:

B-1	Kääntyvä takapotku
C-1	Suora takapotku

Kumpikin kyseisistä reaktioista voi saada sinut menettämään sahan hallinnan, mikä voi aiheuttaa vakavan henkilövahingon. Älä luota pelkästään sahaasi sisältyviin turvalaitteisiin.

Moottorisahan käyttäjänä sinun tulee ryhtyä toimiin voidaksesi sahata sahalla ilman onnettomuuksia tai vahinkoja.

Takapotku on seurausta työkalun väärinkäytöstä ja/ tai virheellisistä käyttömenetelmistä tai -olosuhteista, ja se voidaan välttää ryhtymällä seuraaviin varotoimenpiteisiin:

- **Säilytä tukeva ote, peukaloiden ja sormien ollessa moottorisahan kahvojen ympärillä, pitäen molemmin käsin kiinni sahasta ja asettaen keho ja käsivarsi siten, että voit vastustaa takapotkun voimaa (kuva E).** Käyttäjä voi hallita takapotkun voimaa, jos oikeisiin varotoimenpiteisiin on ryhdytty. Älä päästä moottorisahasta irti.
- **Älä kurkottele äläkä leikkaa olkapään korkeuden yläpuolelta.** Näin voit estää tahattoman kärjen kosketuksen ja hallita paremmin moottorisahaa odottamattomissa tilanteissa.
- **Käytä vain valmistajan määrittelemiä varaosalaippoja ja -ketjuja.** Väärät varaosalaipat ja -ketjut voivat aiheuttaa ketjun katkeamisen ja/tai takapotkun.
- **Noudata valmistajan antamia teräketjun teroitus- ja huolto-ohjeita.** Syvyydensäätöhampaan korkeuden alentaminen voi lisätä takapotkujen esiintymistä.
- **Varmista, että sahausalue on esteetön.** Älä anna terälaipan etuosan koskettaa puunrunkoa, oksaa, aitausta tai jotakin muuta estettä, johon on mahdollista osua sahalla leikatessa.
- **Sahaa aina laitteen käydessä täydellä nopeudella.** Purista kytkinliipaisin pohjaan ja säilytä sahausnopeus.
- **Kun ymmärrät, mitä takapotku tarkoittaa ja miten se syntyy, voit vähentää yllättäviä tilanteita tai kokonaan välttää ne.** Äkillinen yllätys altistaa tapaturmille.
- **Säilytä aina tukeva asento ja hyvä tasapaino.**
- **Veto ja työntö** - Reaktiovoima on aina päinvastainen verrattuna ketjun liikkumissuuntaan kohdassa, jossa puukosketus tapahtuu. Käyttäjän täytyy siksi olla valmis hallitsemaan TYÖNTÖ leikatessa terälaipan alareunalla ja VETO leikatessa yläreunaa pitkin. (kuva F).



TAKAPOTKUN TURVALAITTEET TÄSSÄ MOOTTORISAHASSA

Ketjun jarru

Moottorisaha toimitetaan varustettuna teräjarrulla, joka pysäyttää moottorin ja ketjun liikkeen, kun takapotku tapahtuu. Ketjujarru voidaan aktivoida siirtämällä ketjun takapotkun jarrukahva eteenpäin sahan pyöriessä taaksepäin takapotkun aikana; nopean poistoyönnon aikana syntyvät hitausvoimat voivat myös aktivoida kahvan.

VAROITUS: Älä koskaan muuntele ketjujarrua tai yritä poistaa sitä käytöstä.

Varmista, että ketjujarru toimii kunnolla ennen kuin käytät moottorisahaa. Ketjun takapotkun jarrukahvan tulee liikkuu edestakaisin helposti.

Testaa ketjujarrun toiminta suorittamalla seuraavat toimenpiteet (kuva G):

- Aseta moottorisaha tasaiselle ja paljaalle pinnalle ja varmista, että välittömässä läheisyydessä ei ole esineitä tai esteitä, jotka voisivat päästä kosketuksiin terälaipan ja -ketjun kanssa.
- Vapauta ketjujarru vetämällä ketjun takapotkun jarrukahvaa kohti etukahvaa.
- Käynnistä moottorisaha.
- Työnnä ketjun takapotkun jarrukahvaa kohti sahan etuosaa. Kunnolla toimiva käsijarru pysäyttää ketjun liikkeen välittömästi. Jos ketjujarru ei toimi kunnolla, älä käytä moottorisahaa ennen kuin valtuutettu huoltoteknikko on korjannut sen.

Kuva G käytön kuvaus alla:

G-1	Ketjun takapotkun katkaisukahva käyttöasennossa
G-2	Ketjun takapotkun katkaisukahva katkaisuasennossa

FI

VAROITUS: Varmista ennen jokaista käyttöä, että ketjujarru toimii kunnolla.

VAROITUS: Jos puulastut ovat tukkineet ketjujarrun, ketjujarrun toiminta voi heikentyä. Pidä laite aina puhtaana.

Matalan takapotkun teräketju

Jokaisen sahausterän edessä olevat syvyydensäätöhamppaat voivat minimoida takapotkureaktion voiman estämällä sahausteriä kaivautumasta liian syväälle takapotkuvyöhykkeelle. Käytä vain varaosaketjuja, joka vastaa alkuperäistä ketjuja tai joka on sertifioitu.

HUOMAUTUS: Koska teräketjuja teroitetaan niiden käyttöä aikana, ne menettävät osan matalan takapotkun ominaisuuksista. Käyttäjän tulee siis olla erittäin varovainen.

MUITA VAROITUKSIA

- **Moottorisaha on tarkoitettu käytettäväksi kahdella kädellä.** Yhdellä kädellä sahaamisesta voi aiheutua vakava henkilövahinko käyttäjälle, apulaisille ja/tai sivullisille.

- **Vältä tahatonta kosketusta teräketjun tai terälaipan kiinteiden urien kanssa.** Ne voivat olla erittäin teräviä. Käytä aina käsineitä ja pitkiä housuja tai viiltosuojahousuja, kun käsittelet moottorisahaa, teräketjuja tai terälaippaa.
- **Älä koskaan käytä moottorisahaa, joka on vaurioitunut tai virheellisesti säädetty tai jota ei ole kokonaan ja kunnolla koottu.** Varmista, että teräketju lakkaa liikkumasta, kun liipaisinkytkin vapautetaan.
- **Tarkasta sahattava puu naulojen, johtojen tai muiden vieraiden esineiden varalta ennen sahaamista.**
- **Kun katkot, kiinnitä sahattava kappale ennen sahausta. Kun kaadat puita tai karsit oksia, tunnista ja varmista vaaralliset oksat.**
- **Aggressiivinen tai väkivaltainen moottorisahalla sahaus tai moottorisahan väärinkäyttö voi aiheuttaa ennen aikaista laipan, ketjun ja/tai vetopyörän kulumista sekä ketjun tai laipan rikkoutumisen, mikä voi johtaa takapotkuun, ketjun epäkeskisyyteen tai materiaalin lentelemiseen.**
- **Älä koskaan käytä terälaippaa vääntövarnana.** Taipunut terälaippa voi aiheuttaa ennen aikaista laipan, ketjun ja/tai vetopyörän kulumista sekä ketjun tai laipan rikkoutumisen, mikä voi johtaa takapotkuun, ketjun epäkeskisyyteen tai materiaalin lentelemiseen.
- **Sahaa vain yksi puu kerrallaan.**
- **Käytä vain alla mainittujen akkuyksikköjen ja latauslaitteiden kanssa.**

AKKUYKSIKKO	LATAUSLAITE
BA1120E, BA2240E, BA2800, BA3360, BA4200	CH5500E, CH2100E

- **Älä lataa akkuyksikköä sateessa tai märässä tilassa.**
- **Suunnittele työ varmistamalla esteetön työalue ja jos kyse on puunkaadosta, vähintään yksi poistumisreitti kaatuvan puun alta**
- **Kun kaadat puuta, pidä sivulliset vähintään kahden puun mitan päässä**
- **Jos esiintyy tilanteita, joita ei käsitellä tässä käsikirjassa, ole varovainen ja käytä hyvää harkintaa. Ota yhteyttä EGO-asiakaspalveluun avun saamiseksi**

TERÄLAIPPA

Tämä saha on varustettu terälaipalla, jossa on pienen toimintasäteen kärki. Pienen toimintasäteen kärjissä on yleensä vähäisempi takapotkun mahdollisuus. Kun vaihdat terälaippaa, varmista, että tilaat tässä käsikirjassa mainitun laipan.

SÄILYÄ NÄMÄ OHJEET!

TEKNISET TIEDOT

Malli	CS1400E	CS1600E
Jännite	56 V ---	56 V ---
Terälaipan pituus	350 mm	400 mm
Ketjun jako	9,5 mm	9,5 mm
Ketjun säätö	1,1 mm	1,1 mm
Teräketjun tyyppi	90PX052X (Oregon)	90PX052X (Oregon) 90PX056X (Oregon)
Ohjausterälevyn tyyppi	144MLEA041 (Oregon)	144MLEA041 (Oregon) 164MLEA041 (Oregon)
Ketjuöljytankin tilavuus	150 ml	150 ml
Paino (ilman akkua tai sahan suojusta)	3,81 Kg	3,86 Kg
Mitattu äänen tehotaso L_{WA}	96,73 dB(A) $K_{WA}=-2,5$ dB(A)	96,4 dB(A) $K_{WA}=-2,5$ dB(A)
Äänenpaineen taso käyttäjän korvien tasolla L_{PA}	85,73 dB(A) $K_{PA}=-2,5$ dB(A)	85,4 dB(A) $K_{PA}=-2,5$ dB(A)
Taattu äänen tehotaso L_{WA} (2000/14/EC:n mukaisesti)	100 dB(A)	99 dB(A)
Värinä a_{rh}	Takakahva	5,373 m/s ² K=1,5 m/s ²
	Etukahva	4,146 m/s ² K=1,5 m/s ²

- Ilmoitettu värinän kokonaisarvo on mitattu standardikoemenetelmän mukaan ja sitä voidaan käyttää verrattaessa työkaluja keskenään.
- Ilmoitettua värinän kokonaisarvoa voidaan myös käyttää altistumisen ennakkoarvioinnissa.

HUOMAA: Sähkötyökalun todellisen käytön aikana ilmenevä värinä voi erota työkalun käytölle ilmoitetusta arvosta. Käyttäjän suojelemiseksi on todellisissa käyttöolosuhteissa käytettävä käsiineitä ja kuulosuojaimia.

PAKKAUSLUETTELO

OSAN NIMI	MÄÄRÄ
Moottorisahan tehoyksikkö	1
Teräketju	1
Terälaippa	1
Ketjun suojus	1
Käyttäjän käsikirja	1

KUVAUS

TUNNE SAHASI (kuva A)

- Liipaisinkytkin
- Lukituksenpoistopainike
- Akun vapautuspainike
- Öljytankin korkki
- Öljyntarkistusikkuna
- Teräketju
- Terälaippa
- Salpa
- Poistomekanismi
- Sähköliitännät
- Ketjun takapotkun jarrukahva
- Ketjun kiristyssäädin
- Etukahva
- Takakahva
- Ketjun kiristysruuvi
- Sivukansi
- Sivukannen nuppi
- Sahan suojus
- Voiteluaukko
- Terälaipan kärjen ratas

HUOMAA: Ketjun takapotkun katkaisukahva toimii vipuna ketjun jarrun aktivoimiselle. Se suojaa myös sinkoutuvilta oksilta ja auttaa estämään vasemman käden koskemista teräketjuun, jos sen ote lipeää etukahvasta.

KOKOAMINEN

VAROITUS: Jos jokin osa on vioittunut tai puuttuu, älä käytä tätä tuotetta ennen kuin osat on korvattu. Tuotteen käyttö vioittuneilla tai puuttuvilla osilla voi aiheuttaa vakavan henkilövahingon.

VAROITUS: Älä yritä muunnella tuotetta tai keksiä lisävarusteita, joita ei ole suositeltu käytettäväksi tämän moottorisahan kanssa. Kaikenlainen muuttaminen tai muuntelu on väärinkäyttöä ja voi johtaa vaaralliseen tilanteeseen, josta voi seurata mahdollinen vakava henkilövahinko.

VAROITUS: Poista akkuyksikkö aina työkalusta, kun asennat osia. Tällä tavoin voit estää laitteen käynnistymisen vahingossa, mistä voi aiheutua vakava henkilövahinko.

TERÄLAIPAN JA -KETJUN KOKOAMINEN/VAIHTO

VAROITUS: Käytä aina käsineitä, kun käsittelet terälaippaa ja -ketjua; nämä komponentit ovat teräviä ja voivat sisältää purseita.

1. Aseta moottorisahan tehoyksikkö kyljelleen kovalle, tasaiselle pinnalle siten, että sivusuoja on ylöspäin. (kuva H).
2. Käännä ketjünkireyden säätönuppia kohti etukahvaa niin pitkälle, kuin se kääntyy. Aseta uusi teräketju silmukalle tasaisella pinnalla ja oikease kiertynyt teräketju.
3. Laita uusi teräketju soikeaksi tasaiselle pinnalle ja suorista mahdolliset kiertteet (kuva I).
4. Aseta ketjun vetolenkit terälaipan uraan. Sijoita ketju siten, että silmukka on terälaipan takaosassa (kuva J).
5. Pidä ketjua paikallaan terälaipassa ja aseta silmukka tehoyksikön vetopyörän ympärille.
6. Liu'uta ohjausterälevyn aukko kohdistuslaippon yli, kunnes kiristysensäätöpinni on terälevyn perän alemmassa reiässä (kuva L-1).

HUOMAA: Teräketjuun on kaiverrettu pienen suuntanuolet. Toinen suuntanuoli löytyy kotelosta. Kun asetat teräketjun silmukkaa vetopyörään, varmista, että teräketjun nuolten suunta vastaa kotelon nuolen suuntaa. Jos ne osoittavat vastakkaisiin suuntiin, käännä teräketju ja terälaippayksikkö ympäri. (kuva L-2).

7. Laita sivukansi takaisin paikalleen ja kiristä sivukannen nuppia jonkin verran.
8. Tarkista, ettei ketju ole löysällä nostamalla terälaipan kärkeä ylös (kuva K). Vapauta terälaipan kärki ja käännä ketjünkireyden säätönuppia myötäpäivään. Toista tämä menettely, kunnes ketju ei enää roiku.
9. Kiristä sivukannen nuppi tiukkaan, jotta moottorisaha on kunnolla kiristetty ennen käyttöä.

Kuvien J ja L osien kuvaus alla:

J-1	Ketjun liikeliehtimet	L-2	Kiristysensäätöpinni
J-2	Ohjausterälevyn ura	L-3	Ohjausterälevyn aukko
L-1	Kohdistuslaippa	L-4	Ratas

HUOMAA: Pidennä terälaipan käyttöikä kääntämällä se välillä ympäri.

HUOMAA: Jos ketju on liian kireä, se ei pyöri. Löysää sivusuojan nuppia hieman ja käännä kireyden säätönuppia kerran oikealta vasemmalle. Nosta terälaipan kärkeä ylös ja kiristä sivusuojan nuppi uudelleen kiinni. Varmista, että ketju pyörii ongelmitta.

KETJUN KIREYDEN SÄÄTÖ

- Sammuta moottori ja irrota akkuyksikkö ennen kuin säädät ketjun kireyttä. Varmista, että sivusuojan nuppia on löysätty. Kiristä ketju kääntämällä ketjun kireyden säätönuppia myötäpäivään. Katso lisätietoja tämän käsikirjan aiemmasta osiosta: **“TERÄLAIPAN JA -KETJUN VAIHTO”**.
- Kylmä ketju on oikein kiristetty, kun ketju ei ole löysällä terälaipan alapuolella ja ketju on tiukka, mutta sitä voidaan kääntää käsin ongelmitta. Ketju täytyy kiristää uudelleen aina, kun vetolenkkien reunat eivät sovi terälaipan uraan.
- Ketjun lämpötila nousee tavallisen sahaustoiminnan aikana. Oikein kiristetyn lämpimän ketjun vetolenkit roikkuvat n. 1,3 mm terälaipan uran ulkopuolella. (kuva M).

HUOMAA: Uusilla ketjuilla on tapana venyä; tarkasta ketjünkireys säännöllisesti ja kiristä ketjua tarvittaessa.

HUOMAA: Lämpimänä kiristetty ketju voi olla liian tiukka, kun se on jäähtynyt. Tarkasta kylmäkireys ennen seuraavaa käyttöä.

KÄYTTÖ

VAROITUS: Älä anna perehtyneisyyden tuotteeseen saada sinua huolimattomaksi. Muista, että sekunnin murto-osa huolimattomuutta riittää aikaansaamaan vakavan henkilövahingon.

VAROITUS: Käytä aina suojalaseja sivusuojilla. Muussa tapauksessa silmiin voi lentää roskaa ja muita mahdollisia vakavia vahinkoja tapahtua.

VAROITUS: Älä käytä lisäosia tai lisävarusteita, joita tuotteen valmistaja ei ole suositellut. Suosittelemattomien lisäosien tai -varusteiden käyttö voi aiheuttaa vakavan henkilövahingon.

VAROITUS: Poista akku työkalusta aina, kun kokoat osia, teet muutoksia tai puhdistat laitetta tai kun et käytä sitä. Näin varmistat, ettei laite käynnisty vahingossa eikä aiheuta vakavia henkilövahinkoja.

Tarkasta ennen jokaista käyttöä koko tuote vaurioituneiden, puuttuvien tai irrallisten osien varalta, joita ovat esim. ruuvit, mutterit, pultit ja suojukset. Kiristä tiukasti kaikki kiinnittimet ja suojukset äläkä käytä tuotetta ennen kuin kaikki puuttuvat tai vaurioituneet osat on korvattu.

KÄYTTÖTARKOITUS

Voit käyttää tätä tuotetta seuraaviin perustarkoituksiin: puutavaran ja puiden kaato, karsiminen ja oksiminen.

HUOMAA: Laitetta tulee käyttää vain sille tarkoitettuun tarkoitukseen. Muunlainen käyttö lasketaan väärinkäytöksi.

TERÄLAIPAN JA -KETJUN VOITELUAIINEEN LISÄYS

VAROITUS: Älä tupakoi tai tuo tulta tai liekkiä öljyn tai moottorisahan lähelle. Öljy voi läikkyä ja seurauksena voi syttyä tulipalo.

HUOMAA: Moottorisahassa ei ole ostohetkellä öljyä. On tärkeää täyttää tankki ennen käyttöä. Ketjua voidellaan ketjuöljyllä käytön aikana.

1. Aseta moottorisahan runko kyhjelleen niin, että öljytankin korkki osoittaa ylös.
2. Puhdista korkki ja ympäröivä alue ja käännä vastapäivään poistaaksesi sen (kuva N).
3. Kaada varovasti erityisesti tähän tarkoitukseen tarkoitettua öljyä tankkiin, kunnes öljyä on kaulan alaosan asti.
4. Pyyhi ylimääräiset öljyt pois ja laita korkki paikoilleen.

HUOMAA: Pystyasennossa öljyn tulisi täyttää tarkistusikkuna. Kun öljyä ei enää näy tarkistusikkunassa, lopeta käyttö ja täytä tankki.

AKUN LIITTÄMINEN/POISTAMINEN

Lataa akkuyksikkö täyteen ennen ensimmäistä käyttöä.

Liittäminen (kuva O)

Aseta akun urat kiinnitysaukoihin ja paina akkua alaspäin, kunnes kuulet naksahduksen.

Poistaminen (kuva P)

Paina akun vapautuspainiketta ja vedä akku ulos.

MOOTTORISAHAN KÄYNNISTYS/SAMMUTUS

HUOMAA: Ennen kuin käynnistät moottorisahan, tarkista öljytaso, sahan hampaiden terävyys ja takapotkun katkaisukahvan toimivuus. Lisäksi tarvitsit tasapainoisen asennon ja riittävän etäisyyden maan ja moottorisahan välillä.

Käynnistys

1. Työnnä ketjun takapotkun jarrukahvaa kohti etukahvaa käyttöasentoon (kuva G).
2. Ota etu- ja takakahvoista kunnon ote molemmilla käsillä.
3. Paina ensin lukituksenpoistopainike pohjaan ja purista sitten liipaisinkytkintä käynnistäaksesi laitteen (kuva Q). Vapauta lukituksenpoistopainike ja jatka liipaisimen painamista, niin laite pysyy käynnissä.

VAROITUS: Älä yritä käynnistää sahaa, kun teräketju on sahauslovelsa.

Sammutus

1. Vapauta liipaisinkytkin.
2. Työnnä ketjun takapotkun katkaisukahvaa eteen katkaisuasentoon, niin ketjun jarru on käytössä (kuva G).

VAROITUS: Irrota akkuyksikkö aina moottorisahasta työtaukojen ajaksi ja työn lopettamisen jälkeen.

Oikea ote kahvoilla (kuva E)

- Käytä liukumisen estäviä käsineitä, jotta saat parhaan mahdollisen otepitävyyden ja suojan.
- Pidä sahaa tukevasti molemmin käsin sahan ollessa kovalla, tasaisella pinnalla.
- Tartu aina etukahvaan vasemmalla kädellä ja takakahvaan oikealla kädellä.
- Sormien tulee olla kahvan ympärillä ja peukalon kiedottuna etukahvan alle.

VAROITUS: Älä koskaan käytä vasenkätistä (kätet ristikkäin) otetta tai asentoa, joka asettaa kehosi tai käsivartesi sahauslinjan poikki (kuva R).

Oikea sahausasento (kuva S)

- Molempien jalkojen tulee olla kiinteällä maalla ja painon jakautua tasaisesti molemmille jaloille.
- Vasemman käden tulee olla suorana kyynärpää lukittuna. Tämä auttaa vastustamaan takapotkun aikaansaamia voimia.
- Kehon tulee aina olla sahauslinjan vasemmalla puolella.

FI

YKSINKERTAISEN PUUNKAADON, KARSIMISEN JA RISTISAHAKSEN OHJEET

VAROITUS: Varmista aina jalkojen asento ja pidä moottorisahaa tukevasti molemmin käsin, kun moottori on käynnissä.

VAROITUS: Vapauta liipaisinkytkin, kun teräketju pysähtyy sahauksen aikana tapahtuvan puristumisen seurauksena; irrota teräketju ja terälaippa puusta ja käynnistä moottorisaha sen jälkeen uudelleen.

VAROITUS: Älä vedä teräketjua käsin, kun siinä on sahanpurua. Vakava loukkaantuminen voi seurata, jos moottorisaha käynnistyy vahingossa. Paina saha puuta vasten ja liikuta moottorisahaa edestakaisin sahausjätteiden poistamiseksi. Irrota akkuyksikkö aina ennen puhdistusta. Käytä kestäviä käsineitä, kun käsittelet teräketjua.

VAROITUS: Älä koskaan käynnistä moottorisahaa sen koskettaessa puuta. Anna moottorisahan aina saavuttaa täysi nopeus ennen kuin suuntaat sahan puuhun.

Puun kaataminen

- Kun kaksi henkilöä tai useampi henkilö suorittaa samanaikaisesti katkontaa ja puunkaatoa, puunkaato tulee erottaa katkonnasta etäisyydellä, joka on vähintään kaksi kertaa kaadettavan puun korkeus. Puuta ei tule kaataa tavalla, joka voi vaarantaa jonkin henkilön turvallisuuden, osua sähkölinjaan tai aiheuttaa omaisuusvahingon. Jos puu osuu sähkölinjaan, sähköyhtiölle on ilmoitettava välittömästi.
- Moottorisahan käyttäjän tulee seistä maastossa ylämäen puolella, koska puu todennäköisesti vierii tai liukuu alamäkeen kaatamisen jälkeen.
- Suunnittele ja tarvittaessa tyhjennä pakotie valmiiksi ennen kuin alat sahata puuta. Pakotien tulee ulottua pois päin ja vinosti taakse arvioidusta kaatumissuunnasta kuvan T mukaisesti.
- Ennen kuin aloitat puunkaatoa, mieti puun luonnollista nojaussuuntaa, suurempien oksien sijaintia ja tuulensuuntaa arvioidaksesi, mihin suuntaan puu kaatuu.
- Poista lika, kivet, irtonainen kuoriosia, naulat, niitit ja rautalanka puusta.

FI

Kaatokolo

Tee kaatolovi 1/3 puun halkaisijasta kohtisuoraan kaatumissuuntaan kuvassa U esitetyllä tavalla. Tee alempi vaaka-suora kaatoloven viilto ensin. Näin voit välttää teräketjun tai terälaijan puristumista, kun toinen viilto tehdään.

Puunkaadon vastasahaus

- Tee vastasahaus vähintään 50 mm korkeammalle kuin vaakasuora kaatoloven viilto U. Pidä vastasahaus yhdensuuntaisena vaakasuoraan kaatoloven viiltoon nähden. Tee vastasahaus siten, että tarpeeksi puunsiyitä jää jäljellä toimimaan saranana. Sarana estää puuta kiertymästä ja kaatumasta väärään suuntaan. Älä sahaa saranan läpi.
- Kun vastasahaus tulee lähelle saranaa, puun pitäisi alkaa kaatua. Jos on olemassa mahdollisuus, että puu ei kaadu haluttuun suuntaan tai se voi heilua takaisin ja aiheuttaa teräketjun takertumisen, lopeta sahaus ennen kuin vastasahaus on valmis ja käytä puu-, muovi- tai alumiinikiiloja avaamaan viilto ja painamaan puu haluttuun kaatolinjaan.
- Kun puu alkaa kaatua, irrota moottorisaha lovesta, sammuta moottori, laske moottorisaha maahan ja käytä sen jälkeen suunniteltua peräntymisreittiä. Varo yläpuolella olevia kaatuvia oksia ja katso jalkoihisi.

Kuvien T ja U osien kuvaus alla:

T-1	Kaatosuunta	U-2	Lovi
T-2	Turvallinen pakotie	U-3	Kaatolovi
U-1	Kaatumissuunta	U-4	Sarana

KARSIMINEN

Karsiminen on oksien poistamista kaadetusta puusta. Kun karsit oksia, jätä suuremmat oksat tukemaan runkoa irti maasta. Irrota pienet oksat yhdellä viillolla kuvassa V esitetyllä tavalla. Jännityksessä olevat oksat tulee sahata alhaalta ylöspäin välttämään moottorisahan takertuminen.

RUNGON KATKONTA

- Katkonta on rungon sahausta pituuteen. On tärkeää varmistaa, että sinulla on tukeva asento ja painosi on tasaisesti jakaantunut molemmille jaloille. Jos mahdollista, runkoa tulee nostaa ja tukea oksien, muiden puiden tai kiilojen avulla. Noudata helpon sahausksen yksinkertaisia suuntia.
- Kun tukki on tuettu koko pituudeltaan kuvan W1 osoittamalla tavalla, se sahataan ylhäältä (yläsahaus).
- Kun tukki on tuettu toisesta päästä kuvan W2 osoittamalla tavalla, leikkaa halkaisijasta kolmasosa alapuolelta (aläsahaus). Saha loppuun sitten yläpuolelta niin, että se kohtaa alhaalta tulevan sahausloven.
- Kun tukki on tuettu molemmista päistä kuvan W3 osoittamalla tavalla, sahaa halkaisijasta kolmasosa ylhäältä (yläsahaus). Saha sitten loppuun alapuolelta niin, että alemmat kaksi kolmasosaa kohtaavat ensimmäisen sahausloven.
- Kun pilkot rinteessä, seiso aina tukin suhteen ylämäessä kuvan X osoittamalla tavalla.
- Kun sahaat läpi, säilytä täydellinen hallinta vapauttamalla sahauspaine sahausloven loppuvaiheessa niin, ettet irrota otetta moottorisahan kahvoista. Älä anna ketjun osua maahan. Kun sahauslovi on valmis, odota, että moottorisaha sammuu ennen kuin siirät sitä. Sammuta moottori aina ennen kuin siiryt toisen puun luo.

HUOLTO

VAROITUS: Käytä huollon yhteydessä vain valmistajan hyväksymiä varaosia. Muiden osien käyttö voi aiheuttaa vaaran tai vahingoittaa tuotetta.

VAROITUS: Käytä aina suojakäsineitä, kun teet moottorisahalle ylläpitöitä.

VAROITUS: Irrota vakavien henkilövahinkojen välttämiseksi akkuyksikkö moottorisahasta ennen kuin tarkastat tai puhdistat sitä tai suoritat siihen jonkin huoltotoimenpiteen. Akkukäyttöinen työkalu, jossa on akkuyksikkö, on aina päällä ja voi käynnistyä vahingossa.

VAROITUS: Kun puhdistat moottorisahaa, ÄLÄ KOSKAAN upota sitä veteen tai muihin nesteisiin.

VAROITUS: Älä milloinkaan päästä esim. jarrunesteitä, bensiniä, petrolipohjaisia tuotteita tai ruosteenirrotusöljyjä kosketuksiin muoviosien kanssa. Kemikaalit voivat vahingoittaa, heikentää tai tuhota muovia, mistä voi olla seurauksena vakava henkilövahinko.

PUHDISTUS

- Puhdista jokaisen käytön jälkeen sahausjäte ketjusta ja terälaipasta pehmeällä harjalla. Pyyhi moottorisahan pinta puhtaalla, mietoon saippuuliukoksen kostutetulla liinalla.
- Irrota sivusuoja ja poista sen jälkeen pehmeällä harjalla sahausjätteet terälaipasta, teräketjusta, vetopyörästä ja sivusuojusta.
- Puhdista aina pois puulastut, sahanpuru ja lika terälaipan urasta, kun vaihdat teräketjun.

TERÄLAIPAN JA -KETJUN VAIHTO

VAROITUS: Älä koskaan kosketa tai säädä ketjua, kun moottori on käynnissä.

HUOMAA: Kun vaihdat ohjausterälevyä ja ketjua, käytä aina käyttöoppaassa kerrottua terälevyn ja ketjun yhdistelmää.

Kuluneen terälevyn ja ketjun purkamisen (kuva Y)

1. Irrota akku, anna sahan jäähtyä ja kiristä öljysäiliön korkki.
2. Aseta moottorisaha kyljelleen niin, että sivukansi osoittaa ylös.
3. Käytä käsineitä. Irrota sivusuoja kääntämällä sivusuojan nuppia vastapäivään. Puhdista sivusuoja kuivalla liinalla.

HUOMAA: Nyt on hyvä hetki tarkastaa vetopyörä liiallisen kulumisen ja vaurioiden varalta

Uuden terälevyn ja ketjun kokoaminen

Noudata käyttöoppaan osion **TERÄLEVYN JA KETJUN KOKOAMINEN/VAIHTAMINEN** ohjeita.

Ketjünkireyden säätö

Noudata tämän käsikirjan osiossa **KETJUNKIREYDEN SÄÄTÖ** annettuja ohjeita.

KETJUN HUOLTO

VAROITUS: Käytä aina käsineitä, kun käsittelet teräketjua; nämä komponentit ovat teräviä ja voivat sisältää purseita.

Käytä tässä sahasa ainoastaan matalan takapotkun ketjuja. Tämä nopean sahausksen ketju vähentää oikein huollettuna takapotkun voimakkuutta.

Oikein teroitettulla teräketjulla voidaan sahata puun läpi vaivattomasti, jopa erittäin pienellä paineella.

Älä koskaan käytä tylsää tai vaurioitunutta teräketjua. Tylsä teräketju johtaa fyysisen ponnistelun lisääntymiseen, kasvaneeseen tärinäkuormitukseen, heikkoihin sahaustuloksiin ja suurempaan kulumiseen.

Tasaisen ja nopean sahausksen aikaansaaminen edellyttää ketjun oikeaa huoltoa. Ketju täytyy teroittaa, kun puulastut ovat pieniä ja jauhemaisia, ketju täytyy pakottaa voimalla sahauskohdan läpi tai ketju leikkaa yhdelle puolelle. Ota ketjun huoltamisen aikana seuraavat tekijät huomioon:

- Virheellinen sivulevyn viilauskulma voi lisätä vakavan takapotkun vaaraa.
- Syvyydensäätöhampaan vapaa korkeus. Liian alhainen korkeus lisää takapotkun mahdollisuutta. Liiallinen korkeus vähentää sahauskykyä.
- Jos sahausterän hampaat ovat osuneet koviin esineisiin, kuten nauloihin ja kiviin, tai ne ovat hankautuneet puun pinnassa olevaan kuraan tai hiekkaan, anna ketju valtuutetun huoltoteknikon teroitettavaksi.

HUOMAA: Tarkasta vetopyörä kulumisen ja vaurioiden varalta, kun vaihdat ketjun. Jos merkkejä kulumisesta tai vaurioista esiintyy ilmoitetuilla alueilla, anna valtuutetun huoltoteknikon vaihtaa vetopyörä.

TERÄLAIPAN HUOLTO

Kun terälaipassa näkyy merkkejä kulumisesta, käännä se ympäri sahasa, jotta voit jakaa kulumisen laipan pisimmän mahdollisen käyttöiän aikaansaamiseksi. Terälaippa tulee puhdistaa aina, kun sitä käytetään ja se tulee myös tarkastaa kulumisen ja vaurioiden varalta. Terälaipan kiskojen muuttuminen rosoisiksi ja purseiden esiintyminen ovat normaaleja laipan kulumisprosessin merkkejä. Kyseiset viat tulee tasoiittaa viilalla heti, kun niitä ilmaantuu. Terälaippa, jossa on jokin seuraavista vioista, tulee vaihtaa:

- Terälaipan kiskojen sisällä kulumista, jonka vuoksi ketju asettuu poikittain
- Taipunut terälaippa
- Halkeilleet tai särkyneet kiskot
- Levinneet kiskot



Terälaipan kärjessä on lisäksi kärkipyörä. (kuva A-20). Kärkipyörä tulee voidella viikoittain rasvaruiskulla terälaipan käyttöiän lisäämiseksi. Käytä rasvaruiskua voitelemaan kärkipyörä viikoittain teräketjuöljyllä voitelureiän kautta (kuva A-19). Käännä terälaippa ja tarkasta, että voitelureiässä ja ketjun urassa ei ole epäpuhtauksia.

KULJETUS JA VARASTOINTI

- Älä koskaan varastoi tai kuljeta moottorisahaa, kun se on käynnissä. Irrota aina akkuyksikkö ennen varastointia tai kuljetusta.
- Aseta terälaipan suojus aina terälaippaan ja -ketjuun ennen moottorisahan varastointia tai kuljetusta. Varo ketjun teräviä hampaita.
- Puhdista moottorisaha perusteellisesti ennen varastointia. Säilytä moottorisahaa sisätiloissa kuivassa paikassa, joka on lukittu ja/tai johon lapset eivät pääse.
- Pidä syövyttävien aineiden, kuten puutarhakemikaalien ja tiesuolan, ulottumattomissa.

Ympäristönsuojelu



Älä hävitä sähkölaitteita, akun latauslaitteita ja akkuja/ladattavia akkuja kotitalousjätteen mukana!

Euroopan parlamentin ja neuvoston direktiivin 2012/19/EU mukaan sähkö- ja elektroniikkalaitteet, jotka eivät ole enää käyttökelpoisia, ja Euroopan parlamentin ja neuvoston direktiivin 2006/66/EY mukaan vialliset tai käytetyt akkuyksiköt/akut täytyy kerätä erikseen.

Jos sähkölaitteet hävitetään viemällä kaatopaikoille tai roskalajiin, vaarallisia aineita voi vuotaa pohjaveteen ja päästä ravintoketjuun ja vahingoittaa näin ihmisten terveyttä ja hyvinvointia.

FI

EY-VAATLUSTENMUKALISUUS- VAKUUTUS

Me, CHERVON EUROPE LTD.

47 CASTLE STREET, READING, RG1 7SR, UNITED KINGDOM

Vakuutamme, että tuote **56 V:n litiumioniakulla toimiva johdoton moottorisaha CS1400E/CS1600E** noudattaa seuraavien direktiivien keskeisiä terveys- ja turvallisuusvaatimuksia:

2006/42/EC, 2004/108/EC, 2011/65/EU, 2000/14/EC

Standardit ja tekniset erittelyt, joihin viitataan:

EN 60745-1, EN 60745-2-13, EN 55014-1, EN 55014-2

	CS1400E	CS1600E
Mitattu äänen tehotaso:	96,73 dB(A)	96,4 dB(A)
Taattu äänen tehotaso:	100 dB(A)	99 dB(A)

Peter Melrose
Chevron Europan varapuheenjohtaja

Dong Jianxun
Chevronin laatumanageri

* (Auktorisoitu CHERVONin edustaja ja vastuussa teknisistä asiakirjoista)

01/01/2016

Nimi, osoite ja tunnistusnumero ilmoitetulle taholle:

TüV Rheinland LGA Products GmbH; Tillystra 2 D - 90431 Nürnberg, Germany; 0197.

EC-tyyppitarkastuksen sertifiikaatin numero:

BM 50326004 0001 (CS1600E)

BM 50296271 0001 (CS1400E)

VIANETSINTÄ

VAROITUS: Suojaa aina käsiäsi käyttämällä paksuja käsineitä, kun huollat moottorisahaa. Irrota aina akkuyksikkö, kun huollat tai kuljetat moottorisahaa.

ONGELMA	SYY	RATKAISU
Moottori ei käy	<ul style="list-style-type: none"> ■ Akkuyksikköä ei ole asetettu moottorisahaan. ■ Sahan ja akun välillä ei ole sähkökontaktia. ■ Akkuyksikkö on tyhjä. ■ Akkuyksikkö tai moottorisaha on liian kuuma. ■ Käynnistyspainiketta ei ole painettu alas ennen liipaisinkytkimen painamista. ■ Ketjujarru on kytketty. ■ Moottorisaha on takertunut puuhun. ■ Sahausjätettä terälaipan urassa. ■ Sahausjätettä sivusuojaissa. 	<ul style="list-style-type: none"> ■ Aseta akkuyksikkö moottorisahaan. ■ Irrota akku, tarkasta koskettimet ja asenna akkuyksikkö takaisin. ■ Lataa akkuyksikkö. ■ Anna akkuyksikön tai moottorisahan jäähtyä, kunnes lämpötila laskee alle 67 °C:een. ■ Paina käynnistyspainike alas ja pidä sitä painettuna, käynnistä sen jälkeen moottorisaha painamalla liipaisinkytkintä. ■ Vedä ketjun takapotkun jarrukahvaa taaksepäin kohti etukahvaa. ■ Vapauta liipaisinkytkin; irrota teräketju ja terälaippa puusta ja käynnistä moottorisaha sen jälkeen uudelleen. ■ Paina teräketju puuta vasten ja likuta moottorisahaa edestakaisin sahausjätteiden poistamiseksi. ■ Irrota akkuyksikkö, irrota sen jälkeen sivusuoja ja puhdista sahausjätteet.
Moottori käy, mutta ketju ei pyöri	<ul style="list-style-type: none"> ■ Ketju ei kytkeydy vetopyörään. 	<ul style="list-style-type: none"> ■ Asenna ketju uudelleen varmistaen, että ketjun vetolenkit ovat kokonaan paikoillaan vetopyörässä.
Ketjujarru ei kytkeydy	<ul style="list-style-type: none"> ■ Sahausjäte estää ketjun takapotkun jarrukahvan täyden liikkeen. ■ Mahdollinen ketjujarrun toimintahäiriö. 	<ul style="list-style-type: none"> ■ Puhdista sahausjäte ulkoisesta ketjujarrujärjestelmästä. ■ Ota yhteyttä EGO-asiakaspalveluun.

ONGELMA	SYY	RATKAISU
Moottorisaha ei sahaa oikein	<ul style="list-style-type: none"> ■ Riittämätön ketjun kiristys. ■ Tylsä ketju. ■ Ketju asennettu väärin päin. ■ Kulunut ketju. ■ Kuiva tai liian venynyt ketju. ■ Ketju ei ole terälaipan urassa. 	<ul style="list-style-type: none"> ■ Säädä ketjun kireyttä seuraavassa osiossa esitetyllä tavalla: "KETJUN KIREYDEN SÄÄTÖ". ■ Teroita ketjun sahausterät seuraavassa osiossa esitetyllä tavalla: "SAHAUSTERIEN TEROITUS". ■ Asenna teräketju uudelleen seuraavassa osiossa esitetyllä tavalla: "TERÄLAIPAN JA -KETJUN VAIHTO". ■ Vaihda ketju seuraavassa osiossa esitetyllä tavalla: "TERÄLAIPAN JA -KETJUN VAIHTO". ■ Tarkasta öljyn pinnan taso. Lisää öljysäiliöön tarvittaessa öljyä. ■ Asenna teräketju uudelleen seuraavassa osiossa esitetyllä tavalla: "TERÄLAIPAN JA -KETJUN VAIHTO".
Terälaippa ja –ketju käyvät kuumina ja savuavat	<ul style="list-style-type: none"> ■ Tarkasta ketjun kireys liian kireän ketjun varalta. ■ Ketjun öljysäiliö on tyhjä. ■ Sahausjätettä terälaipan urassa. 	<ul style="list-style-type: none"> ■ Kiristä teräketju uudelleen; katso seuraava osio: "KETJUN KIREYDEN SÄÄTÖ". ■ Lisää terälaipan ja –ketjun voiteluainetta. ■ Puhdista sahausjäte urasta.

FI

TAKUU

EGO-TAKUUKÄYTÄNTÖ

Katso verkkosivuilta osoitteesta egopowerplus.com EGO-takuukäytännön ehdot ja edellytykset kokonaisuudessaan.

LES ALLE INSTRUKSJONER!



LES OG FORSTÅ INSTRUKSJONSBOKEN

⚠ Restrisiko! Personer med elektroniske enheter, for eksempel pacemakere, må rådføre seg med lege før de bruker dette produktet. Drift av elektrisk utstyr i umiddelbar nærhet av en pacemaker kan føre til at pacemakeren forstyrres eller svikter.

⚠ ADVARSEL: For sikre både sikkerheten og påliteligheten, skal alle reparasjoner utføres av en kvalifisert servicetekniker.

SIKKERHETSSYMBOLER

Formålet med sikkerhetssymbolene er å trekke oppmerksomheten din mot mulige faresituasjoner. Sikkerhetssymbolene og forklaringene krever din fulle oppmerksomhet og forståelse. Symbolvarslene eliminerer ikke farer på egen hånd. Instruksjonene og advarslene som finnes i dem er ikke erstatninger for passende ulykkesforebyggende tiltak.

⚠ ADVARSEL: Sørg for å lese og forstå alle sikkerhetsanvisningene i denne bruksanvisningen, inkludert alle sikkerhetsvarselssymboler så som «FARE», «ADVARSEL» og «FORSIKTIG» før du bruker dette verktøyet. Hvis du ikke følger alle instruksjonene nedenfor, kan det føre til elektriske støt, brann og/eller alvorlig personskade.

SYMBOLFORKLARINGER

SIKKERHETSSYMBOL: Indikerer FARE, ADVARSEL eller FORSIKTIG. Kan brukes sammen med andre symboler eller piktoagrammer.

⚠ ADVARSEL: Bruk av hvilke som helst elektroverktøy kan føre til at fremmedlegemer blir kastet mot øynene, og dette kan føre til alvorlig øyeskader. Før du begynner å bruke elektroverktøyet, skal du alltid bruke vernebriller eller vernebriller med sidebeskyttelse, og en full ansiktsskjerm der det trengs. Vi anbefaler en Wide Vision Safety Mask til bruk over briller, eller standard vernebriller med sidebeskyttelse.

SIKKERHETSINSTRUKSJONER

Denne siden viser og beskriver sikkerhetssymboler som finnes på produktet. Les, forstå og følg alle instruksjoner på maskinen før begynner montering og bruk.

	Sikkerhetsvarsel	Angir en fare for mulig personskade.
	Les bruksanvisningen	For å redusere risikoen for skader, må brukeren lese bruksanvisningen.
	Bruk vernebriller	Bruk alltid vernebriller eller vernebriller med sidebeskyttelse, og full ansiktsskjerm når du bruker dette produktet.
	Bruk hørselvern	Hørselsvern er påbudt når produktet brukes.
	Bruk hodebeskyttelse	Bruk en godkjent vernehjelm for å beskytte hodet.
	Bruk vernehansker.	Beskytt hendene med hansker når du håndterer saken og sagkjedet. Kraftige, sklisikre hansker gir bedre grep og beskytter hendene dine.
	Sverd	Informasjonen fra sverdet.
	Vær oppmerksom på tilbakeslag	Sverdspissen skal helst ikke komme i kontakt med noen gjenstand
	Tilbakeslag fra sverdspissen	Tuppkontakt kan føre til at sverdet flytter seg plutselig oppover og bakover, noe som kan føre til alvorlige skader.
	Tohåndsgrep	Bruk alltid to hender når du bruker motorsagen
	Må ikke utsettes for regn	Skal ikke brukes i regn eller legges igjen utendørs mens det regner.
	CE	Dette produktet er i samsvar med de gjeldende EU-direktivene.
	Støy	Garantert lydeffektnivå. Støyutslipp til miljøet i henhold til EU-direktiv.

NO

	WEEE	Elektrisk avfall skal ikke kastes sammen med husholdningsavfallet. Ta det med til autorisert resirkuleringsanlegg.
V	Volt	Spenning
A	Ampere	Strøm
Hz	Hertz	Frekvens (sykluser per sekund)
W	Watt	Effekt
min	Minutter	Klokkeslett
	Vekselstrøm	Typen spenning
	Likestrøm	Type eller karakteristikk for spenningen
n ₀	Hastighet uten last	Rotasjonshastighet, uten last
... /min	Pr. minutt	Omdreining pr. minutt

GENERELLE SIKKERHETSADVARSLER FOR ELEKTROVERKTØY

NO

⚠ ADVARSEL: Les alle sikkerhetsadvarsler og instruksjoner. Hvis advarsler og instruksjoner ikke følges, kan det føre til elektriske støt, brann og/eller alvorlige personskader.

Ta vare på alle advarsler og instruksjoner for fremtidig bruk.

Betegnelsen "elektroverktøy" i advarslene refererer til hovednettdrevne (med ledning) elektroverktøy eller batteridrevne (trådløs) elektroverktøy.

SIKKERHET I ARBEIDSRÅDET

- **Hold arbeidsområdet rent og godt opplyst.** Rotete eller mørke områder inviterer til ulykker.
- **Ikke bruk maskinen i eksplosjonsfarlige atmosfærer, for eksempel der det finnes brennbare væsker, bensin eller støv i nærheten.** Elektroverktøy lager gnister som kan antenne støv eller damper.
- **Hold barn og andre personer unna når elektroverktøyet er i bruk.** Distraksjoner kan føre til at du mister kontrollen.

ELEKTRISK SIKKERHET

- **Støpselet til verktøyet må passe inn i stikkkontakten. Støpselet må ikke forandres på noen måte. Ikke bruk adapterstøpsler sammen med jordede elektroverktøy.** Umodifiserte støpsler og passende stikkontakter reduserer risikoen for elektrisk støt.
- **Unngå kroppskontakt med jordete overflater så som rør, radiatorer, komfyrer og kjøleskap.** Det er økt risiko for elektrisk støt hvis kroppen din er jordet.
- **Ikke utsett elektroverktøy for regn eller våte forhold.** Kommer det vann inn i et elektroverktøy, øker risikoen for elektriske støt.
- **Ikke misbruk ledningen. Bruk aldri ledningen til å bære, trekke eller trekke ut elektroverktøyet. Hold ledningen unna varme, olje, skarpe kanter eller bevegelige deler.** Skadede eller sammenviklede ledninger øker risikoen for elektriske støt.
- **Når du bruker et elektroverktøy utendørs, må du bruke skjøteledning som er godkjent for utendørs bruk.** Bruk av en ledning som er egnet for utendørs bruk, reduserer risikoen for elektriske støt.
- **Hvis du er nødt til å bruke et elektroverktøy i fuktige omgivelser, skal du bruke en jordfeilbryter-beskyttet strømforsyning.** Bruk av GFCI reduserer risikoen for elektrisk støt.

PERSONLIG SIKKERHET

- **Vær oppmerksom, pass på hva du gjør og bruk sunn fornuft når du bruker elektroverktøy. Ikke bruk elektroverktøy når du er trøtt eller er påvirket av narkotika, alkohol eller medikamenter.** Et øyeblikks uoppmerksomhet ved bruk av elektroverktøy kan føre til alvorlige personskader.
- **Bruk personlig verneutstyr. Bruk alltid vernebriller.** Verneutstyr som støvmasker, sklisikre vernesko, hjelm eller hørselsvern i egnede forhold reduserer risikoen for personskader.
- **Unngå utilsiktet start. Pass på at bryteren er i av-stilling før du kobler til strømkilden og/eller batteripakken, plukker opp eller bærer verktøyet.** Å bære elektroverktøy med fingeren på bryteren eller å stå på verktøy som har bryteren på er å invitere til ulykker.
- **Fjern eventuelle justeringsnøkler før du slår på elektroverktøyet.** Et verktøy eller en nøkkel som sitter igjen i en roterende del av elektroverktøyet kan føre til personskade.
- **Ikke strekk deg over. Pass på å ha skikkelig fotfeste og balanse til enhver tid.** Dette muliggjør bedre kontroll over elektroverktøyet i uventede situasjoner.

- **Kle deg riktig. Ikke bruk løstsittende klær eller smykker. Hold hår, klær og hansker unna bevegelige deler.** Løse klær, smykker eller langt hår kan sette seg fast i bevegelige deler.
- **Hvis det følger med utstyr for tilkoping av støvavsug og oppsamlingsutstyr, skal disse koples til og brukes riktig.** Bruk av støvenheter kan redusere støvrelaterte farer.

BRUK AV OG OMSORG FOR ELEKTROVERKTØY

- **Ikke tving elektroverktøyet. Bruk det riktige elektroverktøyet til det du skal gjøre.** Det riktige elektroverktøyet vil gjøre jobben bedre og sikrere, i den hastigheten som det ble laget for.
- **Ikke bruk elektroverktøyet hvis bryteren ikke slår det på og av.** Elektroverktøy som ikke kan kontrolleres med bryteren, er farlig og må repareres.
- **Koble støpselet fra strømkilden og/eller ta batteripakken ut av verktøyet før du foretar justeringer, skifter tilbehørsdeler eller legger bort maskinen.** Slike forebyggende sikkerhetstiltak reduserer risikoen for at verktøyet starter ved et uhell.
- **Oppbevar elektroverktøy utilgjengelig for barn, og ikke la personer som ikke er kjent med verktøyet eller disse instruksjonene betjene maskinen.** Elektroverktøy er farlige når de brukes av uerfarne personer.
- **Vedlikehold av elektroverktøy. Se etter feiljusteringer eller oppbinding av bevegelige deler, skadede deler og eventuelle andre forhold som kan påvirke elektroverktøyet funksjon.** Hvis skadet, må elektroverktøyet repareres før bruk. Mange ulykker er forårsaket av dårlig vedlikeholdte elektroverktøy.
- **Hold kutteverktøyet skarpt og rent.** Riktig vedlikehold av kutteverktøy med skarpe kanter gjør at det er mindre sannsynlighet for oppbinding, og at det er lettere å kontrollere.
- **Bruk elektroverktøy, tilbehør, verktøy, osv. i henhold til disse anvisningene, og ta hensyn til arbeidsforholdene og arbeidet som skal utføres.** Bruk av elektroverktøy til andre formål enn det som er angitt kan føre til farlige situasjoner.

BRUK AV OG OMSORG FOR BATTERIVERKTØY

- **Lades bare med ladere som er spesifisert av produsenten.** En lader som passer for én type batteripakke kan skape fare for brann når den brukes med andre batteripakker.
- **Elektroverktøyet skal bare brukes med den spesifiserte batteripakken.** Bruk av andre batteripakker kan skape risiko for skader og brann.

- **Når batteriet ikke er i bruk, skal det holdes unna andre metallgjenstander så som binders, mynter, nøkler, spikere, skruer eller andre små metallgjenstander som kan lage forbindelse fra én terminal til en annen.** Kortslutning av batteripolene kan forårsake brannskader eller brann.
- **Under skadelige forhold, kan væske kastes ut fra batteriet. Unngå kontakt. Hvis kontakt oppstår ved uhell, skyl med vann. Hvis man får væske i øynene, skal det i tillegg søkes medisinsk hjelp.** Væske som blir kastet ut av batteriet kan forårsake irritasjon eller brannskader.

SERVICE

- **Få elektroverktøyet reparert av et kvalifisert serviceverksted, som kun bruker identiske reservedeler.** Dette gjør at sikkerheten til elektroverktøyet opprettholdes.

SIKKERHETSADVARSLER FOR MOTORSAGEN

- **Hold alle deler av kroppen borte fra sagkjedet når motorsagen er i drift. Før du starter motorsagen, må du påse at sagkjedet ikke er i kontakt med noe.** Et øyeblikks uoppmerksomhet ved bruk av motorsagen kan føre til at klær eller kroppsdeler sammenfiltres med kjedet.
- **Hold alltid motorsagen med høyre hånd på det bakre håndtaket, og venstre hånd på det fremre håndtaket.** Hvis man holder motorsagen med omvendt håndkonfigurasjon, øker risikoen for personskader og bør aldri prøves.
- **Elektroverktøyet skal bare holdes i de isolerte gripeflatene, fordi sagkjedet kan komme i kontakt med skjult kabling.** Sagkjeder som kommer i kontakt med en strømsatt ledning kan gjøre synlige metalldeleer av elektroverktøyet strømførende, og gi operatøren elektrisk støt.
- **Bruk vernebriller og hørselsvern. Ytterligere beskyttelsesutstyr for hode, hender, ben og føtter anbefales.** Tilstrekkelige verneplagg vil redusere personskader ved flygende biter eller utilsiktet kontakt med kjedet.
- **Ikke bruk motorsagen mens du er i et tre.** Bruk av en motorsag mens man er oppe i et tre, kan føre til personskade.
- **Sørg alltid for skikkelig fotfeste, og bruk motorsagen kun når du står på en fast, sikker og jevn overflate.** Glatte eller ustabile overflater så som stiger kan føre til at man mister balansen eller kontrollen over motorsagen.

NO

- **Når du kutter en gren som står under spenning, må du passe deg for tilbakeslaget.** Når spenningen i trefibrene frigjøres, kan den da fjærbelastede grenen treffe operatøren og/eller kaste motorsagen ut av kontroll.
- **Vær svært forsiktig når det sages i busker og ungrær.** Den slanke materialet kan fanges i kjedet og bli pisket mot deg, eller trekke deg ut av balanse.
- **Bær motorsagen i det fremre håndtaket, med motorsagen slått av og vendt bort fra kroppen. Ved transport eller oppbevaring av motorsagen, skal sverddekslet være på.** Riktig håndtering av motorsagen reduserer sannsynligheten for utilsikket kontakt med det bevegelige sagkjedet.
- **Følg instruksjonene for smøring, kjedestramming og bytte av tilbehør.** Feilaktig strammet eller smurt kjede kan enten ryke, eller øke sjansen for tilbakeslag.
- **Hold håndtakene tørre, rene og frie for olje og fett.** Fete, oljete håndtak blir glatte og forårsaker tap av kontroll.
- **Det skal bare sages i treverk. Ikke bruk motorsagen til formål som den ikke er laget for. For eksempel: ikke bruk motorsagen for å kutte plast, murverk eller bygningsmaterialer som ikke er tre.** Bruk av motorsagen til arbeid annet enn det som er angitt, kan føre til farlige situasjoner.

ÅRSAKER TIL, OG HVORDAN OPERATØREN FORHINDRER TILBAKESLAG (fig. B, C, D og E)

NO

Kast eller tilbakeslag kan oppstå når nesene eller tuppen på sverdet berører en gjenstand, eller når treverket lukker seg og klyper sagkjedet i kuttstedet.

Tuppkontakt kan i noen tilfeller kan føre til en plutselig omvendt reaksjon, der sverdet slår opp og bakover mot operatøren (fig. B).

Klemming av sagkjedet langs toppen av sverdet kan skyve sverdet raskt tilbake mot operatøren (fig. C).

Fig. B og C driftsbeskrivelse, se nedenfor:

B-1	Rotasjons-tilbakeslag
C-1	Lineært tilbakeslag

Begge disse reaksjonene kan føre til at du mister kontrollen over saken, som igjen kan resultere i alvorlige personskader. Ikke stol utelukkende på sikkerhetsinnretningene som er innebygd i saken.

Som en motorsagbruker, bør du ta flere skritt for å holde sagejobbene dine frie for ulykker og skader.

Tilbakeslag er et resultat av verktøymisbruk og/eller uriktige driftsprosedyrer eller -forhold, og kan unngås ved å ta riktige forholdsregler som angitt nedenfor:

- **Hold et godt grep, med tomlene og fingrene lukket rundt motorsagens håndtak, begge hendene på saken, og plasser kroppen og armen slik at du kan motstå tilbakeslagskreftene (Fig. E).** Tilbakeslagskreftene kan kontrolleres av operatøren, hvis de riktige forholdsreglene er tatt. Ikke slipp motorsagen.
- **Ikke strekk deg, og ikke sag over skulderhøyde.** Dette bidrar til å hindre utilsikket tuppkontakt, og gir bedre kontroll over motorsagen i uventede situasjoner.
- **Bruk kun nye sverd og kjeder som er spesifisert av produsenten.** Bruk av feil nye erstatningsverd og -kjeder kan forårsake kjedebrudd og/eller tilbakeslag.
- **Følg produsentens skjærpe- og vedlikeholdsinstruksjoner for sagkjedet.** Reduksjon av dybdemålerhøyden kan føre til økt tilbakeslag.
- **Sørg for at området der du sager er fritt for hindringer.** Ikke la nesene på sverdet komme i kontakt med en stamme, gren, gjerde eller andre hindringer som kan treffes på mens du bruker saken.
- **Sag alltid med enheten på full hastighet.** Trykk bryterutløseren helt ned, og oppretthold sagehastigheten.
- **Med en grunnleggende forståelse av tilbakeslag kan du redusere eller eliminere overraskelsesmomentet.** Plutselige overraskelser bidrar til ulykker.
- **Pass på å ha skikkelig fotfeste og balanse til enhver tid.**
- **Skyv og dra** – reaksjonskraften er alltid i motsatt retning av kjedets bevegelse der treverket får kontakt. Dermed må operatøren være klar til å kontrollere DRAKRAFT når det sages på nedre kant av sverdet, og SKYVEKRAFT når det sages langs den øvre kanten (fig. F).

SIKKERHETSINNRETNINGER FOR TILBAKESLAG PÅ DENNE MOTORSAGEN

Kjedebrems

Motorsagen er utstyrt med kjedebrems, som stopper både motoren og bevegelsen til kjedet når det oppstår tilbakeslag. Kjedebremsen kan aktiveres av fremover-bevegelsen til kast-bremsehåndtaket når saken roterer bakover under kast; den kan også aktiveres av tregheitskreftene som genereres under raske tilbakeslag.

⚠ ADVARSEL: Aldri endre eller forsøke å deaktivere kjedebremsen.

Kontroller at kjedebremsen fungerer som den skal før du bruker motorsagen. Kjeden tilbakeslags-håndtak skal kunne flyttes frem og tilbake lett.

For å teste at kjedebremsen fungerer, utføres følgende trinn (fig. G):

- Plasser motorsagen på en flat og tom overflate, og sørg for at ingen gjenstander eller hindringer kan komme i kontakt med sverd eller kjede i umiddelbar nærhet.
- Koble ut kjedebremsen ved å trekke kjedens tilbakeslags-bremsehåndtak mot et fremre håndtak.
- Start motorsagen.
- Skyv bremsehåndtaket for tilbakeslag mot fronten av sagen. En riktig fungerende brems vil stanse bevegelsen av kjedet umiddelbart. Hvis kjedebremsen ikke fungerer som den skal, må du ikke bruke motorsagen før den har blitt reparert av en kvalifisert servicetekniker.

Fig. G driftsbeskrivelse, se nedenfor:

G-1	Bremsehåndtaket for tilbakeslag er i driftsposisjon
G-2	Bremsehåndtaket for tilbakeslag er i bremseposisjon

⚠ ADVARSEL: Kontroller at kjedebremsen fungerer ordentlig før hver bruk.

⚠ ADVARSEL: Hvis kjedebremsen er tilstoppet med flis, kan funksjonen forringes. Hold alltid enheten ren.

Sagkjede med lite tilbakeslag

Rakerne (dybdemålere) i forkant av hver kutter kan redusere styrken i en tilbakeslagsreaksjon ved å hindre kutterne fra å grave i for dypt i risikoområdet. Det skal bare brukes erstatningskjede som er identisk med det opprinnelige kjedet, eller som har blitt sertifisert som et.

⚠ FORSIKTIG: Siden sagkjeder skjerpes under levetiden sin, mister de noen av de egenskapene som minsker tilbakeslag, og ekstra forsiktighet skal utvises.

YTTERLIGERE ADVARSLER

- **Motorsagen er beregnet for tøhåndsbruk.** Enhånds betjening kan føre til alvorlig skade på brukeren, hjelpere og/eller tilskuere.
- **Unngå utilsikket kontakt med det stasjonære sagkjedet eller sverdskindene.** Disse kan være svært skarpe. Bruk alltid hansker og lange bukser eller chaps når du håndterer motorsagen, sagkjedet eller sverdet.
- **Bruk aldri en motorsag som er skadet eller er feiljustert, eller som ikke er helt eller korrekt montert.** Vær sikker på at sagkjedet stopper når bryteren slippes.
- **Inspiser arbeidsstykket for spiker, ståltråd, eller andre fremmedlegemer før du sager i det.**
- **Under kapping skal arbeidsstykket sikres før start. Ved felling eller beskjæring, skal farlige grener identifiseres og sikres.**

- **Aggressiv eller fornærmende saging eller misbruk av motorsagen kan føre til at sverd, kjede og/eller drivhjul slites for tidlig, samt ødelagt kjede eller sverd, noe som vil føre til tilbakeslag, kjedekast eller utkastning av materialet.**
- **Bruk aldri sverdet som brekkstang.** Et bøyd sverd kan føre til for tidlig slitasje på sverd, kjede, og/eller drivhjul, samt ødelagt kjede eller sverd, noe som fører til tilbakeslag, kjedekast eller utkastning av materialet.
- **Sag bare ett arbeidsstykke om gangen.**
- **Bruk kun med EGOs batteripakker og ladere.**

BATTERI	LADER
BA1120E, BA2240E, BA2800, BA3360, BA4200	CH5500E, CH2100E

- **Ikke lad batteriet i regn eller på våte steder.**
- **Planlegg arbeidet, og sikre hinderfrie arbeidsområder, og ved trefelling skal minst én fluktrute planlegges fra fallende trær.**
- **Ved felling skal tilskuere holdes minst to tre-lengder unna.**
- **Hvis situasjoner oppstår som ikke er dekket i denne håndboken, må du utvise forsiktighet og god dømmekraft. Kontakt EGOs kundeservice for å få hjelp.**

STYRESTANG

Denne sagen er utstyrt med et sverd som har en nese med liten radius. Nese med liten radius har generelt mindre potensial for tilbakeslag. Ved bytte av sverdet må man sørg for å bestille sverdet som er oppført i denne bruksanvisningen.

TA VARE PÅ DISSE INSTRUKSJONENE!

SPESIFIKASJONER

Modell	CS1400E	CS1600E
Spenning	56 V ---	56 V ---
Sverdlengde	350 mm	400 mm
Kjedevinkel	9,5 mm	9,5 mm
Kjedestørrelse	1,1 mm	1,1 mm
Sagkjedetyp	90PX052X (Oregon)	90PX052X (Oregon) 90PX056X (Oregon)
Sverdtype	144MLEA041 (Oregon)	144MLEA041 (Oregon) 164MLEA041 (Oregon)

NO

Kapasiteten til kjedeoljetanken	150 ml	150 ml	
Vekt (uten batteripakke, kjedeslire)	3,81 Kg	3,86 Kg	
Målt lydeffektnivå L_{WA}	96,73 dB(A) $K_{WA}=2,5$ dB(A)	96,4 dB(A) $K_{WA}=2,5$ dB(A)	
Lydtrykknivå ved brukerens øre L_{PA}	85,73 dB(A) $K_{PA}=2,5$ dB(A)	85,4 dB(A) $K_{PA}=2,5$ dB(A)	
Garantert lydeffektnivå L_{WA} (i henhold til 2000/14/EC)	100 dB(A)	99 dB(A)	
Vibrasjon a_{hV}	Bakre håndtak	5,373 m/s ² $K=1,5$ m/s ²	3,222 m/s ² $K=1,5$ m/s ²
	Fronthåndtak	4,146 m/s ² $K=1,5$ m/s ²	3,081 m/s ² $K=1,5$ m/s ²

- Den deklarete totale vibrasjonsverdien er målt i overensstemmelse med en standard testmetode, og kan brukes til å sammenligne ett verktøy med et annet;
- Den deklarete totale vibrasjonsverdien kan også brukes i en foreløpig vurdering av eksponering.

MERK: Vibrasjoner under faktisk bruk av elektroverktøyet kan variere fra den opplyste verdien der verktøyet brukes; For å beskytte brukeren, skal det brukes hansker og hørselsvern under de faktiske bruksforholdene.

NO

PAKKELISTE

NAVN PÅ DEL	MENGDE
Motorsagens krafthode	1
Sagkjede	1
Sverd	1
Kjedeslire	1
Bruksanvisning	1

BESKRIVELSE

KJENN MOTORSAGEN DIN (fig. A)

- Utløserbryter
- Låseknapp
- Batteriutløsningsknapp
- Oljetanklokk
- Inspeksjonsvindu for oljenivå
- Sagkjede

- Sverd
- Låse
- Utkastingsmekanisme
- Elektriske kontakter
- Kjedets tilbakeslags-bremsehåndtak
- Kjedestrammingsknott
- Fronthåndtak
- Bakre håndtak
- Kjedestrammingssskrue
- Sidedeksel
- Sidedekselsknapp
- Kjedeslire
- Smørehull
- Drivhjul i sverdspissen

MERK: Kjedets tilbakeslags-bremsehåndtak brukes som spake for kjedebremsaktivering. Den gir også beskyttelse mot utstikkende grener, og bidrar til å hindre venstre hånd fra å berøre sagkjedet hvis den glipper av det fremre håndtaket.

MONTERING

ADVARSEL: Hvis noen av delene er skadet eller mangler, må du ikke bruke dette produktet før delene er skiftet ut. Bruk av dette produktet med skadede eller mangler deler kan føre til alvorlig personskade.

ADVARSEL: Ikke forsøk å modifisere dette produktet eller lage tilbehør som ikke er anbefalt for bruk med denne motorsagen. Enhver slik endring eller modifisering er misbruk, og kan føre til farlige situasjoner og mulige alvorlige personskader.

ADVARSEL: For å hindre utilsiktet start som kan føre til alvorlig personskade, skal batteripakken alltid tas ut av verktøyet når du monterer deler.

MONTERING/BYTT AV SVERD OG KJEDE

ADVARSEL: Bruk alltid hansker ved håndtering av sverd og kjede; disse komponentene er skarpe, og kan inneholde graderinger.

- Plasser motorsagens effekthode på siden, med sidedekselet oppover (fig. H).
- Vri sidedekselknotten mot klokken for å fjerne sidedekselet, og løsne deretter kjedestrammingsknotten så mye som mulig.
- Legg den nye sagkjedet i en sløyfe på et flatt underlag, og rett ut eventuelle knekker (fig. I).

4. Plasser kjededriftslenkene inn i sporet på sverdet, og gjør kjedet til en sløyfe på baksiden av sverdet (fig. J).
5. Hold kjedet på plass på sverdet, og plasser løkken rundt drivhjulet på effekhodet.
6. Skyv sverdsporet over justeringsflensene inntil spenningsjusteringsbolten sitter i det nedre hullet i halen på sverdet (fig. L1).

MERK: Små retningspiler er gravert på sagkjedet. En annen retningspil er støpt inn i huset. Når sagkjedet legges over drivhjulet, skal man sørge for at retningen til pilene på sagkjedet tilsvarer retningen til pila på huset. Hvis de peker i motsatt retning, snus sagkjedet og sverdenheten (fig. L2).

7. Sett på sidedekselet og stram sidedekselknotten litt.
8. Løft tuppen på sverdet opp for å se etter slakk (Fig. K). Slipp tuppen av sverdet og vri kjedestrammeknotten med klokken. Gjenta denne prosessen til slakket er borte.
9. Stram sidedekselknotten helt for å sikre at sagkjedet er skikkelig strammet før bruk.

Fig. J og L delebeskrivelse, se nedenfor:

J-1	Kjededriftslenker	L-2	Spenningsjusteringsstift
J-2	Sverdspor	L-3	Sverdspor
L-1	Justeringsflens	L-4	Kjedetannahjul

MERK: For å forlenge sverdets levetid, snus sverdet innimellom.

MERK: Hvis kjedet er for stramt, vil det ikke rotere. Løsne sidedekselknotten litt, og vri strammeknotten én gang fra høyre til venstre. Løft tuppen på sverdet opp, og stram sidedekselknotten helt. Sikre at kjedet roterer uten oppbinding.

JUSTERING AV KJEDESTRAMMINGEN

- Stopp motoren og ta ut batteripakken før du justerer kjedestrammingen. Kontroller at sidedekselknotten er løsnet. Vri kjedestrammeknotten med klokken for å stramme kjeden. Se avsnittet: «**BYTTE SVERDET OG KJEDET**» for ytterligere informasjon.
- Et kaldt kjede er korrekt strammet når det ikke henger ned på undersiden av sverdet, og kjedet er tettsittende, men det kan beveges for hånd uten oppbinding. Kjedet må etterstrammes når de flate delene av drevlenkene ikke sitter i sverdsporet.
- Under normal drift, vil temperaturen til kjedet øke. Drevlenkene et korrekt strammet når det varme kjedet henger ca 1,3 mm ut av sverdsporet (fig. M).

MERK: Nye kjeder pleier å strekke seg, så sjekk kjedestrammingen ofte og etterstram etter behov.

MERK: Et kjede som strammes mens det er varmt, kan bli for stramt når det er kaldt. Sjekk kaldspenningen før neste bruk.

DRIFT

ADVARSEL: Ikke la fortrolighet med dette produktet gjøre deg uforsiktig. Husk at et uforsiktig tiendedel av et sekund er nok til å forårsake alvorlige skader.

ADVARSEL: Bruk alltid vernebriller med sidebeskyttelse. Unnlattelse av å gjøre dette kan resultere i at gjenstander som blir kastet kommer inn i øynene, og andre mulige og alvorlige skader.

ADVARSEL: Ikke bruk tilbehør eller deler som ikke er anbefalt av produsenten av produktet. Bruk av tilbehør eller deler som ikke er anbefalt kan føre til alvorlige personskader.

ADVARSEL: For å hindre utilsiktet start som kan føre til alvorlig personskade, skal batteripakken alltid tas ut av verktøyet når du monterer deler, gjør justeringer, rengjør, eller når verktøyet ikke er i bruk.

Før hver bruk skal hele produktet for inspiseres for skader, mangler eller løse deler, for eksempel skruer, muttere, bolter, heter, osv. Trekk til alle festene og hettene godt, og ikke bruk dette produktet før alle manglende eller skadede deler har blitt byttet.

APPLIKASJON

Du kan bruke dette produktet til grunnleggende felling, kvisting, beskjæring og hogst av trelast og trær.

MERK: Verktøyet skal bare brukes til det foreskrevne formålet sitt. All annen bruk anses å være misbruk.

PÅFYLLING AV SVERD- OG KJEDEOLJE

ADVARSEL: Ikke røyk eller ta med ild eller flammer i nærheten av olje eller motorsagen. Olje kan søles ut og forårsake brann.

MERK: Motorsagen er ikke fylt med olje på kjøpstidspunktet. Det er svært viktig å fylle tanken med olje før bruk. Kjedet smøres automatisk med kjedeolje under drift.

1. Plasser motorsagen på siden, med oljetankklokken vendt mot deg.
2. Rengjør hetten og området rundt, og vri den deretter mot klokken for å fjerne den (fig. N).
3. Hell forsiktig den spesielt utformede oljen i tanken, til den når bunnen av filterhalsen.
4. Tørk av overflødig olje og sett på lokket igjen.

MERK: Inspeksjonsvinduet for oljenivået skal være fullt i stående stilling. Når oljen ikke lenger er synlig i inspeksjonsvinduet, skal sagen stanses umiddelbart, og olje fylles på.

NO

AV-/PÅSETTING AV BATTERIPAKKEN

Lad helt opp før første gangs bruk.

Sette på (fig. O)

Juster batteririllene sammen med monteringssporene, og trykk batteripakken ned til du hører et "klikk".

Ta av (fig. P)

Trykk ned batteriutløserknappen, og trekk batteripakken ut.

START/STOPP AV MOTORSAGEN

MERK: Før du starter motorsagen, sjekkes oljenivået, deretter tenneses skarphet og fungerende bremsehåndtak for tilbakeslag. Dessuten er balanserte fotfeste og riktig avstand fra bakken helt nødvendig.

For å starte

1. Trekk kjedets bremsehåndtak for tilbakeslag mot fremre håndtak i driftsposisjon (fig. G).
2. Ta godt tak i fremre og bakre håndtak, og bruk begge hender.
3. Trykk ned låseknappen først, og trykk deretter inn utløseren for å starte (fig. Q). Slipp låseknappen og fortsett å trykke på utløseren for å fortsette driften.

⚠ ADVARSEL: Ikke forsøk å starte saken når sagkjedet er i et kutt.

For å stoppe

NO

1. Slipp utløserbryteren.
2. Skyv kjedets bremsehåndtak for tilbakeslag frem til bremseposisjonen for å sette på kjedebremsen (fig. G).

⚠ ADVARSEL: Batteripakken må alltid fjernes fra motorsagen under pauser og etter endt arbeid.

Riktig grep om håndtakene (fig. E)

- Bruk skliskre hansker for maksimalt grep og beskyttelse.
- Sett saken på et fast, flatt underlag, og hold saken fast med begge hender.
- Alltid ta tak i det fremre håndtaket med venstre hånd, og det bakre håndtaket med høyre.
- Fingrene skal omslutte håndtaket, med tommelen innpakket under det fremre håndtaket.

⚠ ADVARSEL: Bruk aldri venstrehands (krysshåndet) grep, eller grep som plasserer kroppen din eller armen på tvers av kjedelinjen (fig. R).

Riktig sagestilling (fig. S)

- Begge føttene skal være på fast grunn, med vekten jevnt fordelt mellom dem.
- Den venstre armen skal være rett, med albuen låst. Dette hjelper til med å motstå kreftene som genereres av tilbakeslag.
- Kroppen din skal alltid være til venstre for kjedelinjen.

ANVISNINGER OM RIKTIGE TEKNIKKER FOR GRUNNLEGGENDE FELLING, KVISTING, OG KAPPING

⚠ ADVARSEL: Alltid være sikker på fotfestet ditt, og hold motorsagen fast med begge hender mens motoren er i gang.

⚠ ADVARSEL: Når sagkjedet er stoppet på grunn av klemming under skjæring, slippes bryteren; fjern sagkjedet og sverdet fra treet, og start deretter motorsagen.

⚠ ADVARSEL: Ikke trekk sagkjedet med hånden når den er bundet opp av sagmugg. Alvorlig personskade kan oppstå hvis motorsagen starter ved et uhell. Trykk sagkjedet mot treet, og flytt motorsagen frem og tilbake for løsne rusket. Ta alltid ut batteripakken før rengjøring. Bruk tykke hansker når du håndterer sagkjedet.

⚠ ADVARSEL: Start aldri motorsagen når den er i kontakt med treverk. La alltid motorsagen nå full hastighet før du setter saken mot treet.

Felling av trær

- I kapping og hogst utført av to eller flere personer samtidig, skal fellingsoperasjonene skilles fra kappingen med en avstand på minst to ganger høyden av treet som felles. Trær skal ikke felles på en måte som kan være farlig for personer, som kan treffe strømlinjer eller forårsake skader på eiendom. Hvis treet får kontakt med strømlinjer, skal strømselskapet varsles umiddelbart.
- Motorsagsbrukeren skal stå på øvre side i terrenget, ettersom treet sannsynlig rulle eller sklir nedoverbakke etter at det er felt.
- En fluktrute skal planlegges og ryddes som nødvendig før sagingen startes. Fluktruten skal gå bakover og diagonalt mot baksiden av den forventede fallretningen som i fig. T.
- Før trefelling startes, må du vurdere den naturlige retningen som treet lener seg, plasseringen av større grener og vindretningen, for å bedømme hvilken vei treet vil falle.
- Fjern skitt, steiner, løs bark, spikre, stifter og ledninger fra treet

Styreskår

Lag hakket gjennom 1/3 av diameteren til treet, vinkelrett til fallretningen, slik fig. U viser. Lag det nedre, horisontale hakket først. Det bidrar til å unngå å klemme enten sagkjedet eller sverdet når det andre hakket sages.

Hovedskår

- Sag hovedskåret minst 50 mm høyere enn den horisontale delen av styreskåret, som vist i fig. U. Hold hovedskåret parallelt med den horisontale delen av styreskåret. Sag ut hovedskåret slik at det er nok treverk igjen til å danne et hengsel. Hengselreet gjør at treet ikke vrir seg og faller i feil retning. Ikke kutt gjennom hengselen.
- Etter hvert som fellingen kommer i nærheten av hengslet, bør treet begynne å falle. Hvis det finnes noen sjanse for at treet kan komme til å falle i feil retning, eller at det kan vippe tilbake og klemme fast sagkjedet, skal sagingen avsluttes før hovedskåret er fullført, og kiler av tre, plast eller aluminium skal brukes for å åpne skåret og felle treet langs den ønskede linjen.
- Når treet begynner å falle, skal motorsagen fjernes fra kuttet, motoren stoppes, motorsagen settes ned, og deretter brukes fluktruten som planlagt. Vær på vakt for overhengende grener som kan falle, og pass på fotfestet.

Fig. T og U delebeskrivelse, se nedenfor:

T-1	Fellingsretning	U-2	Spor
T-2	Sikkerhetsfluktvei	U-3	Hovedskår
U-1	Felleretning	U-4	Hengsel

Kvisting av trær

Kvisting er å fjerne grenene fra et tre som har blitt felt. Under kvisting skal større nedre grener las være, for å støtte stamme opp fra bakken. Fjern de små grenene med ett kutt som vist i fig. V. Grener som står i spenn skal kappes fra bunnen og opp, for å unngå å oppbinding av motorsagen.

Kappe en stokk

- Kapping er å kutte en stamme i lengder. Det er viktig å sørge for godt fotfeste, og at vekten er jevnt fordelt på begge føttene. Når det er mulig skal stammen heves og støttes med grener, stammer eller klosser. Følg de enkle instruksjonene for enkel saging.
- Når stokken er understøttet langs hele sin lengde som Fig. W1 viser, kuttet det fra toppen (oversaging).
- Når stokken er understøttet på den ene ende, som fig. W2 er vist, kuttet 1/3 av diameteren fra undersiden (undersaging). Deretter gjøres det endelige kuttet med oversaging, til det første kuttet møtes.

- Når stokken støttes i begge ender, som fig. W3 er vist, kuttet 1/3 av diameteren fra toppen (oversaging). Deretter gjøres det endelige kuttet med undersaging av de nedre 2/3, til det første kuttet møtes.
- Når man kapper i en skråning, skal man alltid stå på oversiden av stokken, som fig. X viser.
- Når man «skjærer gjennom», slippes sagetrykket opp nær enden av kuttet for å beholde kontrollen, uten at man løsner grepet på håndtakene til motorsagen. Ikke la kjedet komme i kontakt med bakken. Etter endt saging, må du vente på at sagkjedet stopper før du flytter på motorsagen. Stopp alltid motoren før du går fra tre til tre.

VEDLIKEHOLD

ADVARSEL: Ved service skal det bare brukes originale reservedeler. Bruk av andre deler kan forårsake farer eller skader på produktet.

ADVARSEL: Bruk alltid vernehansker når du utfører vedlikehold på motorsagen.

ADVARSEL: For å unngå alvorlige personskader, skal batteripakken tas ut av motorsagen før inspeksjon, rengjøring eller vedlikehold. Et batteridrevet verktøy med batteripakken innsatt er alltid på, og kan starte ved et uhell.

ADVARSEL: Ved rengjøring av motorsagen, skal den IKKE dypes i vann eller andre væsker.

ADVARSEL: Ikke på noe tidspunkt skal bremsevæske, bensin, petroleum-baserte produkter, penetrerende oljer, osv. komme i kontakt med plastdeler. Kjemikalier kan skade, svekke eller ødelegge plastmaterialer, noe som kan føre til alvorlig personskade.

RENGJØRING

- Etter hver bruk fjernes rusk fra kjedet og sverdet med en myk børste. Tørk av motorsagens overflater med en ren klut, fuktet med mildt såpevann.
- Ta av sidedekselet, og bruk deretter en myk børste for å fjerne rusk fra sverdet, sagkjedet, drivhjul og sidedeksel.
- Rens alltid rens ut fiis, støv og skitt fra sverdsporet ved bytte av sagkjedet.

BYTTE AV SVERD OG KJEDE

ADVARSEL: Kjedet skal aldri berøres eller justeres mens motoren er i gang. Sagkjedet er veldig skarpt.

NO

MERK: Ved bytte av sverd og kjede skal man alltid bruke den angitte sverd- og kjedekombinasjonen som er oppført i bruksanvisningen.

Demonter det slitte sverdet og kjedet (fig. Y)

1. Ta ut batteriet, la sagen avkjøles, og stram oljetanklokket.
2. Plasser motorsagen på siden, med sidedekselet oppover.
3. Bruk hansker. Ta av sidedekselet ved å dreie sidedekselknotten mot klokken. Rengjør sidedekselet med en tørr klut.

MERK: Dette er et godt tidspunkt å inspisere drivhjulet for overdreven slitasje eller skade.

Monter nytt sverd og kjede

Følg instruksjonene i avsnittet **MONTERING/BYTTSEVERD OG KJEDE** i denne bruksanvisningen.

Juster kjedestrammingen

Følg instruksjonene i avsnittet **JUSTERE KJEDESTRAMMINGEN** i denne bruksanvisningen.

VEDLIKEHOLD AV KJEDE

⚠ ADVARSEL: Bruk alltid hansker ved håndtering av sagkjedet; disse komponentene er skarpe, og kan inneholde graderinger.

NO

Bruk kun kastreduserte kjeder på denne sagen. Dette raske sagkjedet vil gi kastreduksjon når det er riktig vedlikeholdt.

Et skikkelig skjerpet sagkjede skjærer gjennom tre uanstrengt, selv med veldig lite trykk.

Bruk aldri et sløvt eller skadet sagkjede. Et sløvt sagkjede fører til økt fysisk belastning, økt belastningsvibrasjon, ikke tilfredsstillende klipperesultat og økt slitasje.

For smidig og rask klipping, må kjedet vedlikeholdes riktig. Kjedet trenger å skjerpes når flisene er små og pulveraktige, kjedet må tvinges gjennom treverket under saging, eller kjedet drar til den ene siden. Under vedlikehold av kjedet, må du vurdere følgende:

- Uriktig filevinkel på sideplaten kan øke risikoen for en alvorlige tilbakeslag/kast.
- Rakers (dybdemåler) klaring. For lav øker faren for tilbakeslag. Ikke lavt nok til å senke sagevnen.
- Hvis skjæretennene har truffet på harde gjenstander, for eksempel spiker og steiner, eller har blitt slipt ned av gjørme eller sand på veden, må kjedet skjerpes av en kvalifisert servicetekniker.

MERK: Inspisere drivhjulet for slitasje eller skader når du bytter kjede. Ved tegn på slitasje eller skade i de angitte områdene, må drivhjulet byttes av en kvalifisert servicetekniker.

VEDLIKEHOLD AV SVERDET

Når sverdet viser tegn på slitasje, snus det på sagen for å fordele slitasjen for maksimal levetid. Sverdet skal rengjøres hver bruksdag, og sjekkes for slitasje og skader. Uttoning eller gradering på sverdskindene er en normal slitasjeprosess på sverdet. Slike feil skal jevnes med en fil så snart de oppstår. Et sverd med noen av følgende feil skal byttes ut.

- Slitasje inne i sverds Skinner som gjør at kjedet legger seg over sidelengs.
- Bøyd sverd.
- Sprukne eller ødelagte skinner.
- Spre sporene.

I tillegg har sverdet et drivtannhjul på spissen (fig. A-20). Tannhjulet skal smøres ukentlig med fettsprøyte for å forlenge levetiden til sverdet. Bruk fettsprøyte for å smøre med kjedeolje ukentlig, gjennom smørehullene (fig. A-19). Snu sverdet og kontroller at smørehullene og kjedesporet er frie for urenheter.

TRANSPORT OG LAGRING

- Ikke oppbevar eller transporter motorsagen når den er i gang. Ta alltid ut batteriet før du lagrer eller transporterer den.
- Plasser alltid sverdskjeden over sverdet og kjedet før du lagrer eller transporterer motorsagen. Vær nøye med å unngå de skarpe tennene på kjedet.
- Rengjør motorsagen grundig før lagring. Oppbevar motorsagen innendørs, på et tørt sted som er låst, og/eller utilgjengelig for barn.
- Holdes vekk fra etsende midler, for eksempel hagekemikalier og avisingsalter.

Beskytt miljøet



Elektrisk utstyr, batterilader og batterier/ oppladbare batterier skal ikke kastes i husholdningsavfall.

Ifølge EU-forskrift 2012/19/EU, skal elektrisk og elektronisk utstyr som ikke lenger er brukbart, og som i henhold til EU-forskrift 2006/66/EC har defekte eller brukte batteripakker/batterier, samles inn separat.

Hvis elektrisk apparater kastes på søppelfyllinger, kan farlige stoffer lekke ut i grunnvannet og komme inn i næringskjeden, og forårsake skader på helse og velvære.

EU-SAMSVARERKLÆRING



Vi, CHERVON EUROPE LTD.

47 CASTLE STREET, READING, RG1 7SR, UNITED KINGDOM

Erklærer at produktet **56V lithium-ion batteridrevet motorsag CS1400E/CS1600E** er i samsvar med de grunnleggende helse- og sikkerhetskravene i følgende direktiver:

2006/42/EC, 2004/108/EC, 2011/65/EU, 2000/14/EC

Standarder og tekniske spesifikasjoner som det refereres til:

EN 60745-1, EN 60745-2-13, EN 55014-1, EN 55014-2

	CS1400E	CS1600E
Målt lydeffektnivå:	96,73 dB(A)	96,4 dB(A)
Garanterte lydeffektnivå:	100 dB(A)	99 dB(A)

Peter Melrose
Visepresident for Chervon Europe

Dong Jianxun
Kvalitetsdirektør hos Chevron

* (Autorisert representant for CHERVON og ansvarlig for teknisk dokumentasjon)

01/01/2016

Navn, adresse og identifikasjonsnummer til varslet myndighet:

TÜV Rheinland LGA Products GmbH; Tillystra 2 D - 90431 Nürnberg, Germany; 0197.

NO

Nummer på EU-type undersøkelsessertifikat:

BM 50326004 0001 (CS1600E)

BM 50296271 0001 (CS1400E)

FEILSØKING

⚠ ADVARSEL: Beskytt alltid hendene med seg tunge hansker når du utfører vedlikehold på sagkjedet. Ta alltid ut batteripakken ved service på eller transport av motorsagen.

PROBLEM	ÅRSAK	LØSNING
Motoren kjører ikke	<ul style="list-style-type: none"> ■ Batteripakken er ikke festet til motorsagen. ■ Ingen elektrisk kontakt mellom saken og batteriet. ■ Batteripakken er tom. ■ Batteripakken eller motorsagen er for varm. ■ Låseknappen er ikke trykket inn før du trykker på utløserbryteren. ■ Kjedebremesen er aktivert. ■ Sagkjedet sitter fast i treet. ■ Rusk i sverdsporet. ■ Rusk i sidedekselet. 	<ul style="list-style-type: none"> ■ Fest batteripakken til motorsagen. ■ Fjern batteriet, sjekk kontakter og installer batteripakken igjen. ■ Lad opp batteripakken. ■ La batteripakken eller saken kjøle seg ned til temperaturen synker under 67 °C. ■ Trykk ned låseknappen og hold den inne, og trykk deretter på utløseren for å slå på motorsagen. ■ Trekk kjedens bremsehåndtak for tilbakeslag bakover mot det fremre håndtaket. ■ Slipp bryteren; fjern sagkjedet og sverdet fra treet, og start deretter motorsagen igjen. ■ Trykk sagkjedet mot treet, og flytt motorsagen frem og tilbake for løsne rusket. ■ Fjern batteripakken og sidedekselet, og rens ut rusk.
NO Motoren går, men kjedet går ikke rundt	<ul style="list-style-type: none"> ■ Kjedet tar ikke tak i drivhjulet. 	<ul style="list-style-type: none"> ■ Installer kjedet, og sørg for at drevlenkene på kjedet er satt helt inn på drivhjulet.
Kjedebremesen tar ikke tak	<ul style="list-style-type: none"> ■ Rusk hindrer full bevegelse av kjedets bremsehåndtak for tilbakeslag. ■ Mulig feil i kjedebremesen 	<ul style="list-style-type: none"> ■ Rens ut rusk fra den eksterne kjedebremsemekanismen. ■ Ta kontakt med EGOs kundeservice.

PROBLEM	ÅRSAK	LØSNING
Motorsagen sager ikke ordentlig	<ul style="list-style-type: none"> ■ Utilstrekkelig kjedestramming. ■ Sløvt kjede. ■ Kjedet er installert baklengs. ■ Slitt kjede. ■ Tørt eller overstrukket kjede. ■ Kjedet er ikke i sverdsporet. 	<ul style="list-style-type: none"> ■ Juster kjedestrammingen, per avsnittet: «JUSTERING AV KJEDESTRAMMINGEN». ■ Skjerp kjedets kuttere, per avsnittet: «HVORDAN SKJERPE KUTTERNE». ■ Installere sagkjedet, per seksjon: «BYTT SVERD OG KJEDE». ■ Bytt kjedet ved å følge avsnittet: «BYTT SVERD OG KJEDE». ■ Sjekk oljenivået. Etterfyll oljetanken om nødvendig. ■ Installere sagkjedet, per seksjon: «BYTT SVERD OG KJEDE».
Sverd og kjede blir varmt og ryker	<ul style="list-style-type: none"> ■ Sjekk at kjedet ikke er overstrammet. ■ Kjedeoljetanken er tom. ■ Rusk i sverdsporet. 	<ul style="list-style-type: none"> ■ Sett spenning på sagkjedet igjen; se avsnittet: «JUSTERING AV KJEDESTRAMMINGEN». ■ Påfylling av sverd- og kjedeolje. ■ Fjern rusken fra sporet.

GARANTI

EGO GARANTIREGLER

Besøk nettsiden egopowerplus.com for å se fullstendige vilkår og betingelser for EGO-garantireglene.

NO

ПРОЧИТАЙТЕ ВСЕ ИНСТРУКЦИИ!



ПРОЧИТАЙТЕ И РАЗБЕРИТЕСЬ С РУКОВОДСТВОМ ПОЛЬЗОВАТЕЛЯ

⚠️ Остаточный риск! Людям с имплантированными электронными устройствами (например кардиостимуляторами) необходимо проконсультироваться с лечащим врачом, прежде чем использовать данный инструмент. Использование электрооборудования в непосредственной близости от кардиостимулятора может стать причиной перебоев в работе или отказа кардиостимулятора.

⚠️ ВНИМАНИЕ! Для обеспечения безопасности и надежной эксплуатации инструмента все ремонтные работы должны выполняться силами квалифицированных специалистов.

ПРЕДУПРЕЖДАЮЩИЕ СИМВОЛЫ

Данные символы предназначены для привлечения вашего внимания к факторам риска. Рекомендуется ознакомиться и разобраться со всеми предупреждающими символами и пояснениями к ним. Предупреждающие символы не нейтрализуют факторы риска. Указания и предупреждения не могут заменить надлежащие меры предосторожности.

⚠️ ВНИМАНИЕ! Прежде чем использовать инструмент, прочитайте и разберитесь со всеми правилами техники безопасности, приведенным в данном руководстве пользователя, включая все предупреждающие символы, такие как «ОПАСНО», «ВНИМАНИЕ» и «ОСТОРОЖНО». Несоблюдение указаний, приведенных ниже, может привести к поражению электрическим током, возгоранию и/или серьезным травмам.

RU

ЗНАЧЕНИЕ СИМВОЛОВ

СИМВОЛ ВОСКЛИЦАТЕЛЬНОГО ЗНАКА В ТРЕУГОЛЬНИКЕ:

означает «ОПАСНО», «ВНИМАНИЕ» или «ОСТОРОЖНО». Может использоваться вместе с другими символами или пиктограммами.

⚠️ ВНИМАНИЕ! Использование любых механических инструментов может привести к попаданию посторонних предметов в глаза, что может стать причиной серьезных травм. При работе с таким инструментом всегда надевайте защитные очки, очки с боковыми щитками или лицевые щитки. Поверх защитных очков рекомендуется надевать защитную маску Wide Vision или использовать стандартные защитные очки с боковыми щитками.

МЕРЫ ПРЕДОСТОРОЖНОСТИ

На данной странице описаны предупреждающие символы, которые могут присутствовать на изделии. Прочитайте и разберитесь со всеми инструкциями на инструменте и соблюдайте их при сборке и эксплуатации инструмента.

	Предупреждение	Потенциальная угроза здоровью.
	См. руководство пользователя	Для снижения вероятности получения травм необходимо ознакомиться с руководством пользователя.
	Используйте средства защиты глаз	При использовании инструмента всегда надевайте защитные очки, защитные очки с боковыми щитками или лицевые щитки.
	Используйте средства защиты органов слуха	При работе с инструментом обязательно надевайте средства защиты органов слуха.
	Используйте средства защиты головы	Надевайте надежную каску для защиты головы.
	Используйте защитные перчатки	При работе с пилой и пильной цепью надевайте защитные перчатки. Крепкие перчатки из нескользящих материалов улучшат захват инструмента и защитят руки.
	Шина	Информация о шине.
	Берегитесь отдачи	Не прикасайтесь кончиком шины к каким-либо предметам.

	Отдача кончика шины	При соприкосновении кончика шины с посторонними предметами инструмент может резко дернуться вверх и назад, что может привести к тяжелым травмам.
	Держите двумя руками	При работе всегда держите цепную пилу двумя руками.
	Не допускайте воздействия воды	Не пользуйтесь инструментом в дождливую погоду и не бросайте его под дождем.
	CE	Устройство соответствует стандартам европейских директив.
	шум	Гарантированный уровень звуковой мощности. Уровень шума в окружающей среде согласно директиве Европейского сообщества.
	WEEE	Отходы электротехнической продукции не должны быть утилизированы вместе с бытовыми отходами. Сдавайте их в авторизованные центры переработки.
V	Вольты	Напряжение
A	Амперы	Сила тока
Hz	Герцы	Частота (циклов в секунду)
W	Ватты	Мощность

min	Минуты	Время
	Переменный ток	Тип тока
	Постоянный ток	Тип или характеристики тока
n_0	Холостой ход	Скорость вращения без нагрузки
... /min	В минуту	Оборотов в минуту

ОБЩИЕ МЕРЫ ПРЕДОСТОРОЖНОСТИ ПРИ РАБОТЕ С ЭЛЕКТРОИНСТРУМЕНТОМ

⚠ ВНИМАНИЕ! Прочитайте все предупреждения и правила техники безопасности. Несоблюдение указаний и игнорирование предупреждений может привести к поражению электрическим током, возгоранию и/или тяжелым травмам.

Сохраните предупреждения и правила техники безопасности для справки.

Под термином «электроинструмент» в предупреждениях подразумеваются приборы, которые работают от сети (с проводом) или от аккумуляторной батареи (без провода).

БЕЗОПАСНОСТЬ РАБОЧЕЙ ЗОНЫ

- Следите, чтобы рабочая зона была чистой и хорошо освещенной. В захлапленном и плохо освещенном пространстве легче получить травму и повредить инструмент.
- Не пользуйтесь инструментом во взрывоопасной среде, например рядом с легко воспламеняющимися жидкостями, бензином или в пыльных условиях. Электроинструмент является источником искр, которые могут воспламенить пыль или пары.
- При работе с электроинструментом не подпускайте к себе детей и других лиц. Вы можете отвлечься и перестать контролировать ситуацию.

RU

ЭЛЕКТРОБЕЗОПАСНОСТЬ

- Вилка электроинструмента должны подходить к розетке. Не пытайтесь усовершенствовать вилку. Не используйте переходники для заземленного электроинструмента. Использование заводских вилок с розетками соответствующего типа позволит снизить риск поражения электрическим током
- Не прикасайтесь к заземленным предметам, таким как трубы, радиаторы и холодильники. Когда вы прикасаетесь к заземленному объекту, риск поражения электрическим током повышается.

- Не допускайте воздействия дождя и влаги на электроинструмент. Если вода попадет в инструмент, риск поражения электрическим током увеличится.
- Следите за состоянием провода. Не носите инструмент за провод и не тяните за него (например, чтобы отключить от розетки). Следите, чтобы провод не подвергался воздействию источников тепла, масла, острых предметов или движущихся деталей. Поврежденные и запутанные провода повышают вероятность поражения электрическим током.
- При работе с электроинструментом на улице используйте подходящий уличный удлинитель. Использование уличного удлинителя снижает вероятность поражения электрическим током.
- При необходимости работы во влажных условиях используйте источники питания с выключателями короткого замыкания на землю. Использование ВКЗЗ снижает вероятность поражения электрическим током.

БЕЗОПАСНОСТЬ

- Будьте бдительны: соблюдайте все меры предосторожности при работе с инструментом. Не работайте с электроинструментом, если вы устали, принимаете сильнодействующие лекарства или находитесь в состоянии алкогольного или наркотического опьянения. Невнимательность при работе с электроинструментом может привести к серьезным травмам.
- Используйте средства личной защиты. Используйте средства защиты глаз. Для снижения риска получения травм рекомендуется надевать респираторы, защитные ботинки на нескользящей подошве, каску и средства защиты органов слуха в соответствующих рабочих условиях.
- Не допускайте случайного запуска инструмента. Прежде чем подключать инструмент к электросети и/или к аккумуляторной батарее, а также перед тем как поднимать и переносить его, убедитесь, что выключатель находится в выключенном положении. Не носите инструмент, нажав пальцем на выключатель и не подключайте к источнику питания инструмент, на котором выключатель находится во включенном положении — это может привести к травмам.
- Прежде чем включать инструмент, уберите на место все регулировочные ключи. Если оставить ключ на вращающейся детали инструмента, вы можете получить травму.
- Не тянитесь. Следите за равновесием и смотрите, куда наступаете. Так вы сможете контролировать инструмент даже в непредвиденных ситуациях.

- Одевайтесь соответствующим образом. Не надевайте свободную одежду и украшения. Следите за тем, чтобы волосы, одежда и перчатки не касались движущихся деталей инструмента. Свободная одежда, украшения и длинные волосы могут запутаться в движущихся деталях инструмента.
- При наличии устройств для отвода и сбора пыли убедитесь, что они правильно подключены и используются в соответствии с руководством пользователя. Использование таких устройств позволяет снизить риски, связанные с работой в пыльной среде.

ЭКСПЛУАТАЦИЯ И УХОД ЗА ЭЛЕКТРОИНСТРУМЕНТОМ

- Не перегружайте электроинструмент. Используйте инструменты, соответствующие поставленным задачам. Правильно подобранные инструменты справятся с работой лучше, и работать будет безопаснее при соблюдении режимов нагрузки.
- Не используйте инструмент, если выключатель неисправен. Если выключатель не работает, инструмент необходимо отремонтировать, так как он представляет опасность для оператора и других лиц.
- Отключите инструмент от электросети или снимите с него аккумуляторную батарею, прежде чем проводить регулировку, менять принадлежности или убирать инструмент на хранение. Данные меры предосторожности позволяют избежать случайного запуска инструмента.
- Храните неиспользуемый инструмент вне зоны досягаемости детей и не позволяйте использовать его лицам, не обладающим надлежащими знаниями и опытом или не ознакомившимся с настоящим руководством. Электроинструмент может быть опасен в неопытных руках.
- Своевременно обслуживайте инструмент. Проверяйте движущиеся детали — они должны быть правильно отрегулированы, двигаться свободно и на них не должно быть повреждений. Проверьте все параметры, которые могут повлиять на работу инструмента. При наличии повреждений отремонтируйте инструмент перед использованием. Зачастую несчастные случаи происходят из-за того, что инструменты обслуживаются ненадлежащим образом.
- Следите за остротой и чистотой режущего инструмента. Режущий инструмент с острыми лезвиями режет ломается и его легче контролировать.

- **Используйте инструмент, аксессуары и насадки в соответствии с данным руководством, учитывая рабочие условия и поставленные задачи.** Использование инструмента не по назначению может привести к возникновению опасных ситуаций.

ИСПОЛЬЗОВАНИЕ АККУМУЛЯТОРНОЙ БАТАРЕИ И УХОД ЗА НЕЮ

- **Заряжайте инструмент только с помощью устройств, допущенных производителем.** Использование зарядных устройств, подходящих для одного типа аккумуляторных батарей, с другими типами может привести к возгоранию.
- **Используйте только указанные производителем аккумуляторные батареи.** В противном случае повышается риск получения травм и возгорания.
- **Храните неиспользуемые батареи отдельно от мелких металлических предметов, таких как скрепки, монеты, ключи, шурупы и т. д., которые могут замкнуть клеммы.** Короткое замыкание клемм батареи может привести к ожогам или возгоранию.
- **При грубом обращении из батареи может выплескиваться жидкость — избегайте контакта с ней. В случае попадания жидкости на кожу смойте ее водой.** В случае попадания жидкости в глаза обратитесь к врачу. Жидкость, находящаяся в батарее, может вызывать раздражение и ожоги.

ОБСЛУЖИВАНИЕ

- **Ремонтируйте инструменты силами квалифицированных специалистов и используйте только идентичные запчасти.** Это обеспечит надлежащую безопасность использования инструмента.

МЕРЫ ПРЕДОСТОРОЖНОСТИ ПРИ РАБОТЕ С ЦЕПНОЙ ПИЛОЙ

- **Не подставляйте руки и другие части тела под работающую пилу. Перед запуском инструмента убедитесь, что цепь ничего не касается.** Из-за невнимательности при работе с цепной пилой можно случайно повредить одежду или получить серьезные травмы.
- **Всегда держите цепную пилу правой рукой за заднюю рукоятку, а левой рукой — за переднюю.** Если вы держите цепную пилу иначе, то подвергаете себя опасности — соблюдайте указанное расположение рук.
- **Держите электроинструмент только за изолированные рукоятки, так как электропила может случайно перерезать скрытую проводку.**

При контакте с проводом под напряжением неизолированные металлические части инструмента могут стать проводниками электричества, что может привести к поражению оператора электрическим током.

- **Используйте защитные очки и средства защиты органов слуха.** Рекомендуется также использовать средства защиты головы, рук и ног. Надлежащая защитная одежда снижает риск травм, вызванных вылетающими опилками и мусором, а также случайным прикосновением к пильной цепи.
- **Не используйте пилу, сидя на дереве.** Работа на дереве может привести к получению серьезных травм.
- **Следите за равновесием и работайте с пилой, только стоя на надежной и ровной поверхности.** При работе на скользких и неустойчивых поверхностях, например на лестницах, можно легко потерять равновесие и контроль над пилой.
- **При перерезании согнутых веток помните, что они могут отскочить в вас.** Когда согнутые ветки резко распрямляются, они могут ударить по оператору и/или выбить пилу из рук.
- **Будьте крайне осторожны при подрезании кустов и молодых деревьев.** Тонкие ветки могут застрять в цепи и ударить по вам или сбить вас с ног.
- **Переносите пилу за переднюю рукоятку. Инструмент должен быть выключен и направлен в сторону от вас. Если переносите инструмент или убираете его на хранение, надевайте на шину чехол.** При надлежащем обращении вероятность случайного контакта с движущейся цепью пилы значительно снижается.
- **Выполняйте указания по смазке, натяжению цепи и замене принадлежностей.** Неправильно натянутая или смазанная цепь может порваться или усилить отдачу.
- **Рукоятки должны быть сухими, на них не должно быть смазочных материалов.** Измазанные смазочными материалами рукоятки становятся очень скользкими, и из-за этого инструмент будет очень тяжело удерживать.
- **Распиливайте только древесину. Используйте пилу строго по назначению. Не распиливайте пластик, камень и другие строительные материалы, помимо дерева.** Использование цепной пилы не по назначению может привести к возникновению опасных ситуаций.

RU

ПРИЧИНЫ ОТДАЧИ И СПОСОБЫ БОРЬБЫ С НЕЙ (рис. В, С, D и E)

Отдача возникает, когда кончик шины касается какого-либо предмета или когда дерево зажимает пильную цепь в прорези.

При касании предметов кончиком шины инструмент может отскочить вверх и назад по направлению к оператору (рис. В).

Зажатие пильной цепи в верхней части шины может привести к тому, что инструмент отскочит в сторону оператора (рис. С).

См. описание деталей на рис. В и С ниже:

В-1	Вращательная отдача
С-1	Линейная отдача

Любое из указанных явлений может привести к потере контроля над пилой и, как следствие, к тяжелым травмам. Не полагайтесь всецело на защитные устройства, которыми оборудована пила.

Во избежание травм и несчастных случаев при работе следует соблюдать определенные правила.

Отдача является результатом неправильного использования инструмента или недопустимых условий работы, и ее можно избежать, соблюдая определенные меры предосторожности:

- Крепко держите инструмент за рукоятки обеими руками. Примите такое положение, которое позволит вам сопротивляться отдаче (рис. E). Отдачу можно контролировать, соблюдая меры предосторожности. Не отпускайте пилу.
- Не тянитесь и не распилывайте предметы, которые находятся выше уровня ваших плеч. Так вы избежите случайного контакта кончика шины с другими предметами и сможете лучше контролировать пилу в непредвиденных ситуациях.
- Используйте только запасные цепи и шины, разрешенные производителем. Использование недопустимых запчастей может привести к разрыву цепи и/или отдаче.
- Соблюдайте указания производителя по заточке и техобслуживанию пилы. Снижение высоты ограничительного зуба может привести к увеличению отдачи.
- Следите за тем, чтобы в рабочей зоне не было препятствий. Следите за тем, чтобы во время работы кончик шины не касался бревен, веток, ограды и других препятствий.

RU

- Распиливайте предметы только на полных оборотах пилы. Нажмите на курок-выключатель до упора и поддерживайте соответствующую скорость.
- Если вы понимаете природу отдачи, она не будет для вас неожиданностью. Неожиданное развитие ситуации часто становится причиной несчастных случаев.
- Следите за равновесием и смотрите, куда наступаем.
- Обратные силы. Сила противодействия всегда действует в направлении, обратном направлению движения цепи в месте ее контакта с распиливаемой заготовкой. В связи с этим оператор должен быть готов к тому, что инструмент будет тянуть его ВПЕРЕД, при работе нижней кромкой шины и толкать НАЗАД при работе верхней кромкой (рис. F).

СРЕДСТВА ЗАЩИТЫ ОТ ОТДАЧИ НА ЦЕПНОЙ ПИЛЕ

Цепной тормоз

Цепная пила оборудована цепным тормозом, который останавливает двигатель и цепь при отдаче. Цепной тормоз срабатывает при передвижении ручки тормоза вперед вследствие обратного движения во время отдачи. Кроме того, он может сработать из-за инерционных сил, проявляющихся во время быстрой отдачи.

⚠ ВНИМАНИЕ! Не вносите изменения в конструкцию цепного тормоза и не отключайте его.

Прежде чем использовать пилу, убедитесь, что цепной тормоз работает нормально. Ручка тормоза должна свободно двигаться вперед и назад.

Чтобы проверить работу цепного тормоза, выполните следующие действия (рис. G):

- Установите пилу на ровную поверхность и убедитесь, что шина и цепь не касаются никаких объектов и препятствий.
- Отключите цепной тормоз, потянув за ручку тормоза в направлении передней рукоятки.
- Включите пилу.
- Переместите ручку тормоза вперед. При нормальной работе тормоза цепь немедленно остановится. Не используйте инструмент, если цепной тормоз работает неправильно — отремонтируйте его силами квалифицированного специалиста.

См. описание деталей на рис. G ниже:

G-1	Ручка цепного тормоза в рабочем положении
G-2	Ручка цепного тормоза в положении тормоза

⚠ ВНИМАНИЕ! Проверяйте работу цепного тормоза перед каждым использованием.

⚠ ВНИМАНИЕ! Цепной тормоз может работать неправильно, если он забьется опилками. Следите за чистотой инструмента.

Пильная цепь с низкой отдачей

Ограничители подачи (ограничительные зубья), расположенные перед каждым зубом, позволяют снизить силу отдачи за счет того, что не дают зубьям входить в заготовку слишком глубоко в месте появления отдачи. Для замены используйте только идентичные цепи или цепи, допущенные производителем.

⚠ ОСТОРОЖНО! Вследствие заточки в течение срока службы цепи начинают давать более сильную отдачу — будьте осторожны.

ДОПОЛНИТЕЛЬНЫЕ ПРЕДУПРЕЖДЕНИЯ

- Цепные пилы необходимо держать двумя руками. При работе одной рукой оператор, помощники и посторонние лица могут получить тяжелые травмы.
- Избегайте случайного касания пильной цепи и шины. Они могут быть очень острыми. При работе с пилой, цепью или шиной обязательно надевайте перчатки и специальные рабочие или другие длинные брюки.
- Не используйте поврежденный или неправильно отрегулированный инструмент, а также инструмент, собранный неправильно или не до конца. Убедитесь, что пильная цепь останавливается, если отпустить курок-выключатель.
- Перед работой убедитесь, что в заготовке нет гвоздей, проволоки и других посторонних предметов.
- Перед распиливанием закрепите заготовку. При валке и обрезке деревьев найдите опасные ветки и закрепите их.
- Интенсивная или неправильная эксплуатация цепной пилы может привести к преждевременному износу шины, цепи и/или цепного колеса, а также к разрыву цепи, поломке шины, сильной отдаче, выбрасыванию цепи или материала.
- Не используйте шину в качестве рычага. Погнутая шина будет быстрее изнашиваться и может сломаться или стать причиной преждевременного износа цепи и/или цепного колеса, а также привести к разрыву цепи, сильной отдаче, выбрасыванию цепи или материала.

- Обработывайте только одну заготовку за раз.
- Используйте только аккумуляторные батареи и зарядные устройства EGO:

АККУМУЛЯТОРНАЯ БАТАРЕЯ	Зарядное устройство
BA1120E, BA2240E, BA2800, BA3360, BA4200	CH5500E, CH2100E

- Не заряжайте аккумуляторную батарею под дождем или во влажных помещениях.
- Планируйте свою работу: следите за тем, чтобы в рабочей зоне не было препятствий, а при валке деревьев продумайте хотя бы один путь отхода.
- При валке деревьев посторонние должны находиться не ближе, чем на расстоянии, в два-три раза превышающем высоту дерева.
- При возникновении ситуаций, не описанных в настоящем руководстве, соблюдайте осторожность и благоразумие. Свяжитесь с сервисной службой EGO для получения техподдержки.

ШИНА

Пила поставляется с шиной с узким кончиком. Такие шины, как правило, дают меньшую отдачу. При замене шины выбирайте запчасти из списка, приведенного в данном руководстве.

СОХРАНИТЕ ДАННОЕ РУКОВОДСТВО!

ТЕХНИЧЕСКИЕ ХАРАКТЕРИСТИКИ

Модель	CS1400E	CS1600E
Напряжение	56 V	56 V
Длина шины	350 mm	400 mm
Шаг цепи	9,5 mm	9,5 mm
Калибр цепи	1,1 mm	1,1 mm
Тип пильной цепи	90PX052X (Oregon)	90PX052X (Oregon) 90PX056X (Oregon)
Тип шины	144MLEA041 (Oregon)	144MLEA041 (Oregon) 164MLEA041 (Oregon)
Объем масляного бака цепи	150 ml	150 ml

RU

Масса (без аккумулятора и чехла для цепи)	3,81 Kg	3,86 Kg	
Измеренный уровень звуковой мощности L_{WA}	96,73 dB(A) $K_{WA}=2,5$ dB(A)	96,4 dB(A) $K_{WA}=2,5$ dB(A)	
Уровень звукового давления на уровне уха оператора L_{PA}	85,73 dB(A) $K_{PA}=2,5$ dB(A)	85,4 dB(A) $K_{PA}=2,5$ dB(A)	
Гарантированный уровень звукового давления L_{WA} (в соответствии с 2000/14/EC)	100 dB(A)	99 dB(A)	
Вибрация a_h	Задняя рукоятка	5,373 m/s ² $K=1,5$ m/s ²	3,222 m/s ² $K=1,5$ m/s ²
	Передняя рукоятка	4,146 m/s ² $K=1,5$ m/s ²	3,081 m/s ² $K=1,5$ m/s ²

- Номинальный уровень вибрации был измерен в соответствии со стандартными методиками. Полученное значение можно использовать для сравнения инструментов между собой.
- Значение номинального уровня вибрации также можно использовать для оценки воздействия инструмента на оператора.

ОБРАТИТЕ ВНИМАНИЕ: фактический уровень вибрации во время использования инструмента может отличаться от номинального. Оператору рекомендуется надевать перчатки и средства защиты органов слуха.

RU

КОМПЛЕКТ ПОСТАВКИ

ДЕТАЛЬ	КОЛИЧЕСТВО
Силовой блок пилы	1
Пильная цепь	1
Шина	1
Чехол для цепи	1
Руководство пользователя	1

ОПИСАНИЕ

ЗНАКОМСТВО С ЦЕПНОЙ ПИЛОЙ (рис. А)

1. Курок-выключатель
2. Фиксатор выключателя
3. Кнопка фиксатора батареи

4. Крышка масляного бака
5. Окошко уровня масла
6. Пильная цепь
7. Шина
8. Защелка
9. Выталкивающий механизм
10. Клеммы
11. Ручка цепного тормоза
12. Регулятор натяжения цепи
13. Передняя рукоятка
14. Задняя рукоятка
15. Винт натяжения цепи
16. Боковой кожух
17. Гайка бокового кожуха
18. Чехол для цепи
19. Смазочное отверстие
20. Цепное колесо в кончике шины

ОБРАТИТЕ ВНИМАНИЕ: ручка цепного тормоза служит для включения цепного тормоза. Она также защищает от веток и не дает левой руке пораниться о цепь, если она соскользнет с рукоятки.

СБОРКА

⚠ ВНИМАНИЕ! Если какие-либо детали инструмента повреждены или отсутствуют, не используйте его, пока не проведете ремонт. Использование инструмента с поврежденными деталями или без них может привести к тяжелым травмам.

⚠ ВНИМАНИЕ! Не вносите изменения в конструкцию инструмента и не пытайтесь смастерить принадлежности для использования с данным инструментом. Внесение подобных изменений считается ненадлежащим использованием инструмента и ведет к возникновению опасных ситуаций, в том числе, к тяжелым травмам.

⚠ ВНИМАНИЕ! Во избежание случайного запуска инструмента и для снижения риска тяжелых травм всегда при сборке извлекайте аккумуляторную батарею из инструмента.

СБОРКА/ЗАМЕНА ШИНЫ И ЦЕПИ

⚠ ВНИМАНИЕ! При работе с шиной и цепью обязательно надевайте перчатки: эти детали очень острые, и на них могут быть зазубрины.

1. Положите силовой блок пилы на бок, боковым кожухом вверх (рис. Н).

2. Открутите гайку бокового кожуха против часовой стрелки, чтобы снять кожух. Ослабьте натяжение цепи с помощью регулятора, насколько это возможно.
3. Выложите новую пильную цепь на плоскую поверхность и расправьте все изгибы (рис. I).
4. Поместите приводные звенья цепи в паз шины и оттяните цепь в задней части шины (рис. J).
5. Удерживая цепь на шине, натяните ее на цепное колесо в силовом блоке.
6. Наденьте шину на установочные фланцы, так чтобы шпилька регулировки натяжения цепи попала в нижнее отверстие в задней части шины (рис. L1).

ОБРАТИТЕ ВНИМАНИЕ: на пильной цепи выгравированы маленькие стрелки, указывающие направление. Еще одна стрелка выполнена на корпусе инструмента. При установке цепи на колесо убедитесь, что направление стрелок на цепи совпадает с направлением стрелки на корпусе. Если они указывают противоположные направления, переверните цепь вместе с шиной. (рис. L2).

7. Установите на место боковой кожух и слегка затяните гайку.
8. Приподнимите шину за кончик, чтобы проверить, не провисает ли цепь (рис. K). Отпустите кончик шины и поверните регулятор натяжения цепи по часовой стрелке. Повторяйте указанные действия, пока провисание не исчезнет.
9. Затяните как следует гайку бокового кожуха, чтобы зафиксировать натяжение цепи.

См. описание деталей на рис. J и L ниже:

J-1	Приводные звенья цепи	L-2	Шпилька регулировки натяжения
J-2	Паз шины	L-3	Прорезь в шине
L-1	Установочный фланец	L-4	Цепное колесо

ОБРАТИТЕ ВНИМАНИЕ: рекомендуется периодически переворачивать шину, чтобы продлить срок ее службы.

ОБРАТИТЕ ВНИМАНИЕ: если цепь натянута слишком сильно, она не будет вращаться. Ослабьте немного гайку бокового кожуха и поверните ручку регулировки натяжения на один шаг против часовой стрелки. Поднимите кончик шины и затяните гайку бокового кожуха. Убедитесь, что цепь вращается свободно.

РЕГУЛИРОВКА НАТЯЖЕНИЯ ЦЕПИ

- Остановите двигатель и снимите аккумуляторную батарею, прежде чем регулировать натяжение цепи. Ослабьте гайку бокового кожуха. Поверните регулятор натяжения цепи по часовой стрелке, чтобы натянуть цепь. Для получения более подробных указаний см. раздел «ЗАМЕНА ШИНЫ И ЦЕПИ».
- Холодная цепь натянута правильно, если она плотно сидит на шине и не провисает с нижней стороны, но при этом легко проворачивается вручную. Натяжение цепи необходимо отрегулировать, если выступы на приводных звеньях не держатся в пазу шины.
- При нормальной работе цепь нагревается. Приводные звенья правильно натянутой цепи в нагретом состоянии выступают из паза шины примерно на 1,3 мм (рис. M).

ОБРАТИТЕ ВНИМАНИЕ: новые цепи имеют свойство со временем растягиваться. Рекомендуется регулярно проверять натяжение цепи и при необходимости регулировать его.

ОБРАТИТЕ ВНИМАНИЕ: натянута в нагретом состоянии цепь может слишком плотно сесть на шину после охлаждения. Перед использованием инструмента проверяйте натяжение холодной цепи.

ЭКСПЛУАТАЦИЯ

⚠ ВНИМАНИЕ! Будьте крайне внимательны с инструментом, даже если хорошо разбираетесь в нем. Помните, что для получения тяжелой травмы достаточно отвлечься даже на долю секунды.

⚠ ВНИМАНИЕ! Используйте защитные очки с боковыми щитками. В противном случае отбрасываемые инструментом предметы могут попасть в глаза и стать причиной тяжелых травм.

⚠ ВНИМАНИЕ! Не используйте насадки и принадлежности, не рекомендованные производителем инструмента. Использование таких насадок и принадлежностей может привести к получению серьезных травм.

⚠ ВНИМАНИЕ! Во избежание случайного запуска инструмента и для снижения риска тяжелых травм всегда убирайте из него аккумуляторную батарею при сборке, регулировке или очистке, а также перед тем как убрать инструмент на хранение.

Перед каждым использованием осматривайте инструмент на наличие повреждений, отсутствующих деталей или ослабших креплений (винтов, гаек, болтов, крышек и т. д.). Затяните все крепежные устройства и крышки и не используйте инструмент, пока не замените все недостающие или поврежденные детали.

RU

НАЗНАЧЕНИЕ

Инструмент можно использовать для валки и обрезки деревьев, а также для распилки древесины.

ОБРАТИТЕ ВНИМАНИЕ: инструмент нужно использовать строго по назначению. Использование в любых других целях считается недопустимым.

СМАЗКА ШИНЫ И ЦЕПИ

⚠ ВНИМАНИЕ! Не курите рядом с пилой и маслом. Не подносите их к источникам открытого пламени. Масло может пролиться и загореться.

ОБРАТИТЕ ВНИМАНИЕ: пила не заправляется маслом на заводе. Перед использованием инструмента необходимо залить в него масло. Цепь автоматически смазывается маслом во время работы.

1. Положите пилу набок, так чтобы крышка масляного бака оказалась сверху.
2. Очистите крышку и пространство вокруг нее, а затем снимите ее, повернув против часовой стрелки (рис. N).
3. Аккуратно залейте специальное масло в бак до нижнего края фильтра.
4. Протрите пролитое масло и закройте крышку.

ОБРАТИТЕ ВНИМАНИЕ: когда пила находится в вертикальном положении, масло должно закрывать смотровое окошко. Если в смотровое окошко не видно масла, немедленно остановите инструмент и заправьте его.

УСТАНОВКА/СНЯТИЕ АККУМУЛЯТОРНОЙ БАТАРЕИ

RU

Зарядить полностью перед первым использованием.

Установка (рис. O)

Совместите выступы на батарее с прорезями в инструменте и нажмите на нее. Должен раздаться щелчок.

Снятие (рис. P)

Нажмите кнопку фиксатора батареи и извлеките ее из инструмента.

ЗАПУСК/ОСТАНОВКА ПИЛЫ

ОБРАТИТЕ ВНИМАНИЕ: перед запуском пилы необходимо проверить уровень масла, остроту зубьев, а также правильность работы ручки тормоза. Кроме того, необходимо принять правильную стойку и удерживать инструмент на надлежащем расстоянии от земли.

Запуск

1. Переведите ручку тормоза в рабочее положение, потянув ее в сторону передней рукоятки (рис. G).
2. Крепко возьмитесь одной рукой за переднюю, а другой — за заднюю рукоятку.
3. Нажмите на фиксатор выключателя, а затем на курок-выключатель, чтобы включить инструмент (рис. Q). Отпустите фиксатор и продолжайте удерживать курок, чтобы инструмент продолжал работать.

⚠ ВНИМАНИЕ! Не запускайте инструмент, когда цепь находится в распиле.

Остановка

1. Отпустите курок-выключатель.
2. Нажмите на ручку тормоза вперед, чтобы включить цепной тормоз (рис. G).

⚠ ВНИМАНИЕ! По завершении работы, а также если инструмент выходит из строя во время работы, обязательно снимайте с него батарею.

Правильный хват (рис. E)

- Для максимальной эффективности хвата и защиты рук надевайте нескользящие перчатки.
- Положите пилу на ровную прочную поверхность и крепко возьмитесь за нее обеими руками.
- Не беритесь правой рукой за переднюю рукоятку, а левой — за заднюю.
- Пальцы должны плотно охватывать рукоятку, причем большой палец должен быть под передней рукояткой.

⚠ ВНИМАНИЕ! Никогда не используйте обратный хват (не беритесь правой рукой за переднюю рукоятку). Выбирая стойку, помните, что ваше тело и рука не должны находиться на линии движения цепи (рис. R).

Правильная стойка (рис. S)

- Обе ноги должны стоять на твердой поверхности, вес должен быть равномерно распределен между ними.
- Левая рука должна быть выпрямлена в локте. Это поможет бороться с отдачей.
- Вы должны всегда находиться слева от линии работы цепи.

БАЗОВАЯ ТЕХНИКА ПРИ ВАЛКЕ И ОБРЕЗКЕ ДЕРЕВЬЕВ, А ТАКЖЕ ПРИ ПОПЕРЕЧНОЙ РАСПИЛОВКЕ

⚠ ВНИМАНИЕ! Во время работы следите за равновесием и всегда держите пилу обеими руками.

⚠ ВНИМАНИЕ! Если во время работы цепь остановилась из-за зажатия, отпустите курок-выключатель и достаньте пилу из распила, а затем продолжайте работу.

⚠ ВНИМАНИЕ! Не тяните за пильную цепь руками, если она забилась опилками. Если цепь начнет двигаться, вы получите тяжелые травмы. Прижмите цепь к заготовке и двигайте инструмент вперед-назад, чтобы стряхнуть опилки. Перед очисткой инструмента обязательно снимайте батарею. При работе с цепью надевайте прочные защитные перчатки.

⚠ ВНИМАНИЕ! Не запускайте пилу, если цепь касается заготовки. Дайте инструменту набрать полную скорость, перед тем как начнете резать заготовку.

Валка деревьев

- Если несколько человек одновременно валят и распиливают деревья в одном месте, то те, кто распиливает поваленные деревья, должны находиться на расстоянии, превышающем высоту дерева как минимум в два раза, от тех, кто валит деревья. При валке деревьев нужно соблюдать осторожность, чтобы не подвергать опасности кого-либо и не повредить коммуникационные линии или чью-либо собственность. Если дерево повредит коммуникационную линию, об этом нужно немедленно сообщить в обслуживающую организацию.
- При работе на склоне человек с пилой должен стоять выше дерева, так как после падения дерева часто скатываются вниз.
- Перед началом валки необходимо продумать и расчистить пути отхода. Путь отхода должен идти по диагонали в направлении обратном предполагаемой линии падения, как показано на рис. Т.
- Перед началом валки оцените направление падения дерева с учетом естественного наклона, местонахождения крупных веток и направления ветра.
- Уберите с дерева грязь, камни, болтающиеся куски коры, гвозди, скрепки и провода.

Подруб

Сделайте подруб глубиной в 1/3 диаметра дерева перпендикулярно направлению падения, как показано на рис. U. Сначала выполните горизонтальный пропилов снизу. Благодаря этому цепь и шина пилы не будут зажаты при выполнении второго пропила.

Задний рез

- Выполните задний рез как минимум на 50 мм выше горизонтального пропила, как показано на рис. U. Задний рез должен быть параллелен горизонтальному пропилу. Выполните задний рез таким образом, чтобы между ним и горизонтальным пропилом осталось достаточно дерева, которое будет работать как шарнир. Этот «шарнир» не даст дереву повернуться и упасть в неправильном направлении. Не перерезайте шарнир.
- Как только вы приблизитесь к шарниру, дерево начнет падать. Если существует вероятность того, что дерево может упасть в неправильном направлении или что оно может отклониться и зажать цепь, прекратите работу до завершения заднего реза и вставьте в разрез клинья из дерева, пластика или алюминия, чтобы свалить дерево в нужном направлении.
- Когда дерево начнет падать, выньте пилу из распила, остановите двигатель, положите пилу и отойдите по подготовленному пути отхода. Берегитесь падающих веток и следите за тем, куда наступают.

См. описание деталей на рис. Т и U ниже:

T-1	Направление падения	U-2	Распил
T-2	Безопасный путь отхода	U-3	Задний рез
U-1	Направление падения	U-4	Шарнир

RU

Обрезка деревьев

Под обрезкой подразумевается спиливание веток с поваленных деревьев. При обрезке оставьте крупные ветки снизу, которые поддерживают бревно над землей. Спиливайте небольшие ветки одним движением, как показано на рис. V. Нераспрямленные ветки нужно спиливать снизу вверх, чтобы они не зажали пилу.

Распиливание бревна

- Рассмотрим распиливание бревна на поленья. Крайне важно, чтобы вы устойчиво стояли на ногах и равномерно распределяли вес между ними. По возможности бревно следует приподнять, используя в качестве подставок ветки, другие бревна или поленья. Для упрощения данной процедуры соблюдайте простые правила.

- Если бревно поддерживается по все длине, как на рис. W1, его нужно распиливать сверху вниз.
- Если бревно поддерживается только с одной стороны, как на рис. W2, сделайте пропил глубиной в 1/3 диаметра снизу. Затем допилите бревно, выполнив пропил сверху.
- Если бревно поддерживается только с обоих концов, как на рис. W3, сделайте пропил глубиной в 1/3 диаметра сверху. Затем допилите бревно, выполнив пропил глубиной 2/3 диаметра снизу.
- При работе на склоне всегда вставайте выше бревна, как показано на рис. X.
- Для сохранения полного контроля над инструментом при окончании реза ослабьте давление на цепь в конце пропила, но не ослабляйте хватку на рукоятках пилы. Не давайте пиле коснуться земли. По завершении распиливания прежде чем перемещать пилу, дождитесь, пока цепь остановится. Перед тем как переходить от одного дерева к другому, останавливайте двигатель инструмента.

ТЕХОБСЛУЖИВАНИЕ

⚠ ВНИМАНИЕ! При проведении обслуживания используйте только идентичные запчасти. Использование других запчастей создает опасность получения травм и повреждения инструмента.

⚠ ВНИМАНИЕ! При проведении техобслуживания обязательно надевайте защитные перчатки.

⚠ ВНИМАНИЕ! Во избежание тяжелых травм перед проведением осмотра, очистки или техобслуживания снимайте с инструмента батарею. Электроинструмент с установленной батареей всегда может случайно включиться.

⚠ ВНИМАНИЕ! При очистке НЕ ПОГРУЖАЙТЕ пилу в воду и другие жидкости.

⚠ ВНИМАНИЕ! Не допускайте попадания тормозных жидкостей, бензина, нефтепродуктов, пропиточных масел и т. д. на пластиковые детали инструмента. Химикаты могут повредить, размягчить или разрушить пластик, что может стать причиной тяжелых травм.

ОЧИСТКА

- После каждого использования очищайте цепь и шину мягкой щеткой. Протирайте корпус пилы чистой тканью, смоченной в мягком моющем средстве.
- Снимите боковой кожух и очистите шину, цепь, цепное колесо и кожух мягкой щеткой.
- При замене пильной цепи обязательно очищайте паз шины от опилок и пыли.

ЗАМЕНА ШИНЫ И ЦЕПИ

⚠ ВНИМАНИЕ! Не прикасайтесь к цепи и не регулируйте ее, когда двигатель работает. Пильная цепь очень острая.

ОБРАТИТЕ ВНИМАНИЕ: при замене шины и цепи используйте детали, указанные в руководстве пользователя.

Снятие изношенной шины и цепи (рис. Y)

1. Снимите батарею, дайте пиле остыть и затяните крышку масляного бака.
2. Положите пилу набок, боковым кожухом вверх.
3. Наденьте перчатки. Снимите боковой кожух, повернув гайку против часовой стрелки. Протрите боковой кожух сухой тканью.

ОБРАТИТЕ ВНИМАНИЕ: не забудьте осмотреть цепное колесо на наличие повреждений или износа.

Установка новой шины и цепи

Следуйте инструкциям в разделе «СБОРКА/ЗАМЕНА ШИНЫ И ЦЕПИ» настоящего руководства.

Регулировка натяжения цепи

Следуйте инструкциям в разделе «РЕГУЛИРОВКА НАТЯЖЕНИЯ ЦЕПИ» настоящего руководства.

ОБСЛУЖИВАНИЕ ЦЕПИ

⚠ ВНИМАНИЕ! Обязательно надевайте перчатки при работе с пильной цепью: она очень острая, и на ней могут быть зазубрины.

Устанавливайте на инструмент только пильные цепи с низкой отдачей. При правильном уходе цепи для быстрой резки позволяют снизить отдачу.

Правильно заточенные цепи легко распиливают дерево, даже при минимальном давлении.

Не используйте тупые и поврежденные цепи. Использование тупых цепей приводит к повышенной физической нагрузке на оператора, увеличению уровня вибрации, низкой эффективности работы и чрезмерному износу инструмента.

Для поддержания скорости и эффективности работы за цепью необходимо ухаживать надлежащим образом. Если опилки получаются очень мелкими и при работе выделяется много пыли, при распилке приходится прилагать слишком много усилий или линия распила получается неровной, цепь необходимо заточить. При уходе за цепью обратите внимание на следующее.

- Неправильный угол заточки режущих зубьев повышает отдачу.

- Зазор ограничительных зубьев. Слишком маленький зазор увеличивает отдачу. Недостаточно маленький зазор снижает эффективность работы инструмента.
- Если зубья цепи подвергались ударам о твердые предметы, например гвозди или камни, или износу из-за грязи или песка на заготовке, необходимо обратиться к квалифицированному специалисту для заточки цепи.

ОБРАТИТЕ ВНИМАНИЕ: при замене цепи осмотрите цепное колесо на наличие износа и повреждений. Если вы обнаружили признаки износа или повреждений, обратитесь к квалифицированному специалисту для замены цепного колеса.

УХОД ЗА ШИНОЙ

При обнаружении признаков износа шины, переверните ее, чтобы продлить срок службы. Шину необходимо очищать и проверять на наличие износа и повреждений каждый день после использования. Появление зазубрин и стружек на шине — нормальное явление, свидетельствующее об ее износе. Такие дефекты необходимо удалять напильником сразу же при их обнаружении. При наличии любых из перечисленных ниже дефектов шину необходимо заменить.

- Износ внутренней части шины, из-за которого цепь съезжает набок.
- Изгиб шины.
- Трещины или разрыв направляющих.
- Расширение направляющих.

Кроме того, на конце шины установлено цепное колесо (рис. А-20). Чтобы продлить срок службы шины, раз в неделю колесо необходимо смазывать из масленки. Смазывайте шину маслом для цепи раз в неделю, подавая его из масленки в смазочное отверстие (рис. А-19). Переверните шину и убедитесь, что смазочные отверстия и паз для цепи не забиты мусором.

ТРАНСПОРТИРОВКА И ХРАНИНИЕ

- Не убирайте на хранение и не переносите инструмент, когда он работает. Перед тем как переносить инструмент или убрать его на хранение, обязательно снимите батарею.
- При транспортировке инструмента и когда убираете его на хранение, всегда надевайте на цепь чехол. Будьте осторожны: не прикасайтесь к зубцам цепи.
- Прежде чем убрать пилу на хранение, тщательно очистите ее. Храните пилу в надежном сухом помещении, вне зоны досягаемости детей.
- Оберегайте инструмент от воздействия веществ, вызывающих коррозию, таких как садовые химикаты и антиобледенительные соли.

Защита окружающей среды



Не выбрасывайте электроприборы, зарядные устройства и аккумуляторные батареи вместе с бытовыми отходами! Неиспользуемое электрическое и электронное оборудование (в соответствии с законом ЕС 2012/19/EU), а также неисправные или разряженные аккумуляторные батареи (в соответствии с законом

ЕС 2006/66/EC) должны утилизироваться отдельно от другого мусора.

При утилизации электроприборов на свалках и полигонах ТБО опасные вещества могут попасть в грунтовые воды, а следовательно и в пищу, что создает угрозу здоровью и благосостоянию людей.

ДЕКЛАРАЦИЯ СООТВЕТСТВИЯ ЕС



Мы, CHERVON EUROPE LTD.

47 CASTLE STREET, READING, RG1 7SR, UNITED KINGDOM

заявляем, что изделие «Беспроводная цепная пила на литий-ионной батарее (56 В)» модели **CS1400E/CS1600E** соответствует важнейшим требованиям к безопасности и здравоохранению, изложенным в следующих Директивах:

2006/42/EC, 2004/108/EC, 2011/65/EU, 2000/14/EC

Применяемые стандарты и технические характеристики:

EN 60745-1, EN 60745-2-13, EN 55014-1, EN 55014-2

	CS1400E	CS1600E
Измеренный уровень звуковой мощности:	96,73 dB(A)	96,4 dB(A)
Гарантированный уровень звуковой мощности:	100 dB(A)	99 dB(A)

RU

Peter Melrose
Заместитель директора
Chervon Europe

Dong Jianxun
Руководитель отдела
технического контроля Chervon

* (уполномоченный представитель CHERVON и лицо, ответственное за техническую документацию)

01/01/2016

Наименование, адрес и идентификационный номер уполномоченного органа:

TüV Rheinland LGA Products GmbH; Tillystra 2 D - 90431 Nürnberg, Germany; 0197.

Номер сертификата соответствия требованиям директивы ЕС : BM 50326004 0001 (CS1600E)
BM 50296271 0001 (CS1400E)

ПОИСК И УСТРАНЕНИЕ НЕИСПРАВНОСТЕЙ

⚠ ВНИМАНИЕ! При проведении техобслуживания цепной пилы всегда надевайте крепкие перчатки для защиты рук. Перед проведением обслуживания и транспортировкой инструмента обязательно снимайте с него батарею.

ПРОБЛЕМА	ПРИЧИНА	РЕШЕНИЕ
Двигатель не работает	<ul style="list-style-type: none"> ■ На инструмент не установлена аккумуляторная батарея. ■ Нет контакта между пилой и батареей. ■ Аккумуляторная батарея разряжена. ■ Перегрев аккумуляторной батареи или пилы. ■ При нажатии на курок-выключатель не была нажата кнопка фиксатора. ■ Сработал цепной тормоз. ■ Цепь зажата в заготовке. ■ В пазу шины скопился мусор. ■ Под боковой кожух набился мусор. 	<ul style="list-style-type: none"> ■ Установите батарею на пилу. ■ Снимите батарею, проверьте контакты и установите ее на место. ■ Зарядите батарею. ■ Подождите, пока батарея или пила не остынут до 67°C. ■ Нажмите на кнопку фиксатора и удерживайте ее. Затем нажмите на курок-выключатель, чтобы включить инструмент. ■ Потяните за ручку цепного тормоза в сторону передней рукоятки. ■ Отпустите курок-выключатель. Извлеките шину из заготовки и продолжайте работу. ■ Прижмите цепь к заготовке и двигайте инструмент вперед-назад, чтобы стряхнуть опилки. ■ Снимите батарею и боковой кожух и уберите весь мусор.
Двигатель работает но цепь не движется	<ul style="list-style-type: none"> ■ Цепь не зацепляется за колесо. 	<ul style="list-style-type: none"> ■ Установите цепь заново и проследите, чтобы приводные звенья полностью сели на цепное колесо.
Не срабатывает цепной тормоз	<ul style="list-style-type: none"> ■ Ручка цепного тормоза не может свободно двигаться из-за мусора. ■ Тормозная система неисправна 	<ul style="list-style-type: none"> ■ Очистите мусор снаружи механизма цепного тормоза. ■ Свяжитесь с сервисной службой EGO.

RU

ПРОБЛЕМА	ПРИЧИНА	РЕШЕНИЕ
Пила плохо справляется со своей задачей	<ul style="list-style-type: none"> ■ Плохо натянута цепь. ■ Цепь затупилась. ■ Цепь установлена задом наперед. ■ Цепь изношена. ■ Цепь не смазывается, или она сильно растянулась. ■ Цепь вышла из паза в шине. 	<ul style="list-style-type: none"> ■ Отрегулируйте натяжение цепи. См. раздел «РЕГУЛИРОВКА НАТЯЖЕНИЯ ЦЕПИ». ■ Заточите зубцы цепи. См. раздел «ЗАТОЧКА ЗУБЦОВ ЦЕПИ». ■ Установите цепь заново. См. раздел «ЗАМЕНА ШИНЫ И ЦЕПИ». ■ Замените цепь. См. раздел «ЗАМЕНА ШИНЫ И ЦЕПИ». ■ Проверьте уровень масла. При необходимости долейте масло в бак. ■ Установите цепь заново. См. раздел «ЗАМЕНА ШИНЫ И ЦЕПИ».
Шина и цепь перегреваются и испускают дым	<ul style="list-style-type: none"> ■ Проверьте натяжение цепи. Возможно, цепь натянута слишком сильно. ■ В инструменте закончилось масло. ■ В пазу шины скопился мусор. 	<ul style="list-style-type: none"> ■ Отрегулируйте натяжение цепи. См. раздел «РЕГУЛИРОВКА НАТЯЖЕНИЯ ЦЕПИ». ■ Заправьте инструмент маслом. ■ Удалите мусор из паза.

ГАРАНТИЯ

ГАРАНТИЙНАЯ ПОЛИТИКА EGO

Посетите веб-сайт egopowerplus.com, чтобы ознакомиться со всеми условиями и сроками гарантийной политики EGO.

RU

PRZECZYTAJ WSZYSTKIE INSTRUKCJE!



PRZECZYTAJ ZE ZROZUMIENIEM INSTRUKCJE OBSŁUGI

⚠️ Pozostałe zagrożenia! Osoby noszące urządzenia elektroniczne, np. rozruszniki serca, powinny się skonsultować z lekarzem przed użyciem tego urządzenia. Obsługa sprzętu elektrycznego w pobliżu rozrusznika serca może spowodować zakłócenia lub awarię rozrusznika.

⚠️ OSTRZEŻENIE: Aby zapewnić bezpieczeństwo i niezawodność, wszystkie naprawy i wymiany powinny być wykonane przez serwisanta z odpowiednimi kwalifikacjami.

SYMBOLE BEZPIECZEŃSTWA

Celem symboli bezpieczeństwa jest zwrócenie Twojej uwagi na możliwe zagrożenia. Symbole bezpieczeństwa oraz wyjaśnienia zasługują na szczególną uwagę oraz zrozumienie ze strony użytkownika. Ostrzeżenia związane z symbolami nie mogą same w sobie zapobiec zagrożeniom. Instrukcje i ostrzeżenia w nich zawarte nie zastępują właściwych środków profilaktycznych.

⚠️ OSTRZEŻENIE: Przeczytaj ze zrozumieniem wszystkie instrukcje obsługi w instrukcjach operatora, razem ze wszystkimi symbolami ostrzegającymi o niebezpieczeństwie, takimi jak **"NIEBEZPIECZEŃSTWO"**, **"OSTRZEŻENIE"** oraz **"UWAGA"** przed użyciem urządzenia. Niestosowanie się do wszystkich podanych niżej instrukcji może doprowadzić do porażenia prądem, pożaru i/lub poważnych obrażeń.

ZNACZENIE SYMBOLU

SYMBOL OSTRZEGAJĄCY PRZED

PL

NIEBEZPIECZEŃSTWEM Wskazuje ma **NIEBEZPIECZEŃSTWO**, **OSTRZEŻENIE** oraz **UWAGĘ**. Mogą być stosowane razem z innymi symbolami lub piktogramami.

⚠️ OSTRZEŻENIE: Stosowanie elektronarzędzi może spowodować dostanie się obcych przedmiotów do oczu, co może spowodować poważne obrażenia oczu. Przed rozpoczęciem obsługi elektronarzędzia, ubierz okulary ochronne z bocznymi osłonami i całkowitą osłoną twarzy, w razie potrzeby. Zalecamy maskę bezpieczeństwa o szerokim polu widzenia zamiast tradycyjnych okularów ochronnych lub okularów z osłonami bocznymi.

INSTRUKCJE BEZPIECZEŃSTWA

Strona ta przedstawia i opisuje symbole bezpieczeństwa, które mogą pojawić się na tym urządzeniu. Przeczytaj ze zrozumieniem i przestrzegaj wszystkich instrukcji na urządzeniu przed jego montażem i obsługą.

170

	Ostrzeżenie przed niebezpieczeństwem	Wskazuje potencjalne ryzyko obrażeń osób.
	Przeczytaj instrukcję użytkownika	Aby zmniejszyć ryzyko obrażeń, użytkownik zobowiązany jest do zapoznania się z instrukcją użytkownika.
	Ochrona oczu	Zawsze noś osłonę na oczy lub okulary ochronne z bocznymi osłonami lub całkowitą osłoną twarzy podczas obsługi tego produktu.
	Zakładaj nauszники ochronne	Zawsze noś ochronniki na uszy podczas obsługi tego urządzenia.
	Zakładaj ochronę na głowę	Noś zatwierdzone okrycie ochronne głowy.
	Należy nosić rękawice ochronne.	Chroń ręce rękawicami podczas manipulowania pilarką i łańcuchem pilarki. Rękawice ochronne antypoślizgowe polepszają chwyt i chronią ręce.
	Prowadnica	Informacje o prowadnicy.
	Pamiętaj o możliwości odbicia	Należy unikać kontaktu końcówki prowadnicy z przedmiotami.
	Końcówka prowadnicy Odbicie	Kontakt z końcówką może spowodować, że prowadnica poruszy się gwałtownie w górę i do tyłu, co może spowodować poważne obrażenia.
	Uchwyt na dwie ręce	Zawsze obsługuj pilarkę łańcuchową dwoma rękoma.
	Chronić przed deszczem	Nie używaj podczas deszczu i nie zostawiaj na zewnątrz, gdy pada.
	CE	Ten produkt jest zgodny z mającymi zastosowanie dyrektywami WE.

	Hałas	Gwarantowany poziom mocy akustycznej. Emisja hałasu do środowiska zgodnie z dyrektywą Wspólnoty Europejskiej.
	WEEE	Zużytych urządzeń elektrycznych nie należy wyrzucać razem ze zwykłymi odpadami domowymi. Należy je oddać do autoryzowanego punktu recyklingu.
V	Wolt	Napięcie
A	Ampery	Prąd
Hz	Herc	Częstotliwość (cykle na sekundę)
W	Wat	Moc
min	Minuty	Czas
	Prąd przemienny	Rodzaj prądu
	Prąd stały	Rodzaj lub charakterystyka prądu
n_0	Prędkość bez obciążenia	Prędkość obrotowa, bez obciążania
... /min	na minutę	Obroty na minutę

OGÓLNE OSTRZEŻENIA DOTYCZĄCE BEZPIECZEŃSTWA ELEKTRONARZĘDZI

⚠ OSTRZEŻENIE: Przeczytaj wszystkie ostrzeżenia dotyczące bezpieczeństwa i instrukcje. Nieprzestrzeganie ostrzeżeń i instrukcji może spowodować porażenie prądem, pożar i/lub poważne obrażenia.

Prosimy zachować na przyszłość wszystkie ostrzeżenia i instrukcje.

Termin „elektronarzędzie” występujący w ostrzeżeniach dotyczy narzędzia elektrycznego o zasilaniu sieciowym (przewodowego) lub akumulatorowym (beprzewodowego).

BEZPIECZEŃSTWO OBSZARU PRACY

- **Dbaj o czystość i dobre oświetlenie w miejscu pracy.** Bałagan i złe oświetlenie sprzyjają powstawaniu wypadków.

- **Nie używaj elektronarzędzi w miejscach zagrożonych wybuchem, np. w obecności łatwopalnych cieczy, paliwa i pyłu.** Elektronarzędzia wytwarzają iskry, co może powodować zapalenie się oparów lub pyłu.
- **W czasie pracy elektronarzędzie należy trzymać z dala od dzieci i osób postronnych.** Rozproszenie uwagi może spowodować utratę kontroli nad urządzeniem.

BEZPIECZEŃSTWO ELEKTRYCZNE

- **Wtyczka elektronarzędzia musi odpowiadać gniazdku. Nigdy nie należy w jakikolwiek sposób przerabiać wtyczki. Do elektronarzędzi wymagających uziemienia nie używaj przejściówek.** Oryginalna wtyczka dopasowana do gniazdka zmniejsza ryzyko porażenia prądem.
- **Unikaj kontaktu z powierzchniami uziemionymi, takimi jak np. rury, kaloryfery, kuchenki i lodówki.** Uziemienie ciała zwiększa ryzyko porażenia prądem.
- **Elektronarzędzia należy chronić przed deszczem i wilgocią.** Woda dostająca się do wnętrza elektronarzędzia zwiększa ryzyko porażenia prądem.
- **Nie nadużywaj przewodu. Nigdy nie używaj przewodu do noszenia lub ciągnięcia elektronarzędzia, nie wyciągaj wtyczki z kontaktu chwytając za przewód. Przewód należy chronić przed gorącym, olejem, ostrymi krawędziami i poruszającymi się częściami.** Zaplątany lub uszkodzony przewód zwiększa ryzyko porażenia prądem.
- **Używając elektronarzędzia na dworze stosuj przedłużacze nadające się do używania na dworze.** Używanie przewodu nadającego się do stosowania na dworze zmniejsza ryzyko porażenia prądem.
- **Jeżeli użycie elektronarzędzia w miejscu o dużej wilgotności jest nieuniknione, należy używać zasilania zabezpieczonego wyłącznikiem różnicowoprądowym.** Używanie wyłącznika różnicowoprądowego zmniejsza ryzyko porażenia prądem.

BEZPIECZEŃSTWO OSOBISTE

- **Pozostań w gotowości, uważaj w czasie wykonywania pracy i zachowaj zdrowy rozsądek przy obsłudze elektronarzędzia. Nie używaj elektronarzędzi, gdy jesteś zmęczony lub pod wpływem narkotyków, alkoholu lub leków.** Chwila nieuwagi w czasie posługiwania się elektronarzędziem może spowodować poważne obrażenia ciała.
- **Noś wyposażenie ochrony osobistej. Zawsze noś okulary ochronne.** Stosowanie w odpowiednich warunkach sprzętu ochronnego takiego jak np. maska przeciwpyłowa, buty z podeszwami antypoślizgowymi, kask lub nasznarki ochronne zmniejszy ewentualne obrażenia.

PL

- **Unikaj przypadkowego włączenia.** Pilnuj, aby przed podłączeniem narzędzia do zasilania i/lub baterii akumulatorowej, podniesieniem i przenoszeniem przełącznik ustawiony był na pozycję wyłącz. Trzymanie palca na przełączniku włączania w czasie noszenia elektronarzędzia lub podłączanie ich do zasilania, gdy przełącznik ustawiony jest na pozycję wyłącz, może doprowadzić do wypadku.
- **Przed włączeniem elektronarzędzia usuń wszelkie klucze regulacyjne i inne narzędzia.** Klucze lub inne narzędzia pozostawione w obracających się podzespołach elektronarzędzia mogą doprowadzić do wypadku i obrażeń.
- **Nie należy sięgać za daleko.** Utrzymuj cały czas właściwą postawę i równowagę. W nieprzewidzianych sytuacjach zapewnia to lepszą kontrolę nad elektronarzędziem.
- **Noś odpowiednie ubranie.** Nie noś luźnych ubrań i biżuterii. Włosy, ubrania i rękawice trzymaj w bezpiecznej odległości od poruszających się części. Luźne ubrania, biżuteria lub długie włosy mogą zaczepić się o poruszające się części.
- **Jeżeli urządzenie jest wyposażone w przystawkę do odsysania i zbierania pyłu, dopilnuj, aby była ona podłączona i właściwie stosowana.** Używanie tego typu urządzeń może zmniejszyć zagrożenia związane z pyłem.

UŻYWANIE I KONSERWOWANIE ELEKTRONARZĘDZI

- **Nie używaj narzędzia z nadmierną siłą.** Używaj elektronarzędzi o mocy dostosowanej do wykonywanego zadania. Odpowiednie elektronarzędzie, przeznaczone do danej pracy, pozwolą wykonać pracę lepiej, bezpieczniej i szybciej.
- **Nie używaj elektronarzędzia, jeżeli przełącznik zasilania nie włącza go lub nie wyłącza.** Jakikolwiek elektronarzędzie, którego nie da się kontrolować przełącznikiem, jest potencjalnie niebezpieczne i wymaga naprawy.
- **Odcłóż wtyczkę prądu i/lub akumulatora od narzędzia przed wykonywaniem jakichkolwiek regulacji, zmian osprzętu lub przechowywaniem narzędzia.** Powyższe środki ostrożności zmniejszają ryzyko przypadkowego włączenia się elektronarzędzia.
- **Nieużywane elektronarzędzia przechowuj w miejscu niedostępnym dla dzieci.** Osobom, które nie zapoznały się z instrukcją i narzędziem nie pozwalaj obsługiwać go. W rękach niedoświadczonych użytkowników elektronarzędzia mogą stanowić zagrożenie.

- **Utrzymuj elektronarzędzia w dobrym stanie.** Sprawdź czy części ruchome nie są przesunięte względem swojej osi, czy ruchome części nie zacinają się, nie są zużyte lub uszkodzone w inny sposób, który mógłby wpłynąć na działanie elektronarzędzia. **W razie uszkodzenia, przed użyciem oddaj elektronarzędzie do naprawy.** Do wielu wypadków dochodzi wskutek złej konserwacji elektronarzędzi.
- **Dbaj o czystość i naostrzenie narzędzi tnących.** Odpowiednio utrzymywane narzędzia tnące z ostrymi krawędziami są mniej narażone na zacinanie się i łatwiej jest je kontrolować.
- **Używaj elektronarzędzi, akcesoriów, wiertel, itp. zgodnie z niniejszymi instrukcjami uwzględniając warunki pracy i wykonywane zadania.** Stosowanie elektronarzędzi do wykonywania czynności, do których nie są one przeznaczone, może prowadzić do niebezpiecznych sytuacji.

UŻYWANIE I KONSERWOWANIE AKUMULATORA

- **Ładuj wyłącznie na ładowarce określonej przez producenta.** Użycie ładowarki pochodzącej od danego akumulatora do ładowania innego akumulatora grozi pożarem.
- **Używaj elektronarzędzi wyłącznie z przeznaczonymi do nich akumulatorami.** Użycie jakichkolwiek innych akumulatorów grozi obrażeniami i pożarem.
- **Kiedy nie używasz baterii, przechowuj je z dala od metalowych przedmiotów, takich jak zaciski, monety, klucze, gwoździe, śruby lub inne małe metalowe przedmioty, które mogą spowodować zwarcie końcówek.** Zwarcie końcówek zasilających może spowodować poparzenia lub pożar.
- **W trudnych warunkach z baterii może wydostawać się płyn; unikać kontaktu.** W razie przypadkowego kontaktu ze skórą obficie przemyj wodą. Jeśli płyn dostanie się do oczu, zasięgnij porady lekarza. Płyn, który wypłynął z baterii może spowodować podrażnienia lub oparzenia.

KONTROLA

- **Serwisowanie urządzenia należy powierzyć wykwalifikowanemu technikowi, a do naprawy używać wyłącznie części zamiennych identycznych z oryginalnymi.** Gwarantuje to utrzymanie odpowiedniego poziomu bezpieczeństwa elektronarzędzia.

OSTRZEŻENIA DOTYCZĄCE BEZPIECZEŃSTWA PILARKI ŁAŃCUCHOWEJ

- **Podczas pracy pilarką wszystkie części ciała należy trzymać w bezpiecznej odległości od łańcucha.** Przed włączeniem pilarki upewnij się, że łańcuch niczego nie dotyka. Chwila nieuwagi podczas obsługi pilarki może doprowadzić do wkręcenia odzieży w łańcuch lub zetknięcia się łańcucha z ciałem.

- **Zawsze trzymaj pilarkę prawą ręką na uchwycie tylnym, a lewą ręką na uchwycie przednim.** Trzymanie pilarki w odwrotny sposób, tj. zamieniony układ rąk, zwiększa ryzyko obrażeń i dlatego nigdy nie powinno mieć miejsca.
- **Trzymaj elektronarzędzie tylko za izolowane uchwyty, ponieważ łańcuch pilarki może dotknąć ukrytego okablowania.** Dotknięcie łańcuchem pilarki przewodu pod napięciem może spowodować, że przez niez izolowane elementy metalowe narzędzia popłynie prąd, co grozi operatorowi porażeniem.
- **Noś okulary ochronne i ochronniki słuchu.** Zaleca się także stosowanie dodatkowych zabezpieczeń na głowę, ręce, nogi i stopy. Odpowiednia odzież ochronna zmniejsza ryzyko doznania obrażeń wskutek trafienia latającymi ścinkami lub w wyniku przypadkowego zetknięcia się łańcuchem pilarki.
- **Nie obsługuj pilarki łańcuchowej na drzewie.** Obsługiwanie pilarki na drzewie może spowodować obrażenia.
- **Zawsze dbaj o pewne podparcie stóp i włączaj pilarkę dopiero wtedy, gdy staniesz na nieruchomej, bezpiecznej i równej powierzchni.** Śliskie i niestabilne powierzchnie takie jak np. drabiny mogą spowodować utratę równowagi lub kontroli nad pilarką.
- **Podczas przecinania naprężonej gałęzi licz się z tym, że gałąź odednie się i odskoczy.** Gdy zniknie siła dociskająca, odgięta gałąź może uderzyć użytkownika/ lub w niekontrolowany sposób wytrącić mu pilarkę.
- **Zachowaj szczególną ostrożność, przy cięciu krzaków i młodych drzewek.** Wiotki materiał może wkręcić łańcuch pilarki, nagiąć się i uderzyć użytkownika, co może spowodować utratę równowagi.
- **Trzymaj pilarkę łańcuchową za przedni uchwyt z wyłączoną pilarką i z dala od ciała.** Na czas transportu i przechowywania zawsze należy nałożyć osłonę na prowadnicę. Właściwe obchodzenie się z pilarką zmniejsza prawdopodobieństwo przypadkowego dotknięcia poruszającego się łańcucha pilarki.
- **Przestrzegaj instrukcji dotyczących smarowania, naprężenia łańcucha i wymiany akcesoriów.** Niewłaściwy naciąg oraz nieodpowiednie nasmarowanie łańcucha może doprowadzić do jego pęknięcia oraz zwiększyć ryzyko odbicia.
- **Pilnuj, aby uchwyty były suche, czyste i pozbawione śladów oleju i smarów.** Poplamione olejem lub smarem uchwyty są śliskie i mogą doprowadzić do utraty kontroli nad pilarką.
- **Tnij tylko drewno. Nie używaj pilarki łańcuchowej do celów, do których nie jest ona przeznaczona.** Na przykład nie używaj pilarki do pilowania elementów plastikowych, wyrobów kamieniarskich lub niebudowlanych. Stosowanie pilarki do czynności, do których nie jest ona przeznaczona, może doprowadzić do niebezpiecznych sytuacji.

PRZYCZYNY ODBICIA I ZAPOBIEGANIE IM (Rys. B, C, D i E)

Do odbicia może dojść w sytuacji, gdy czubek lub koniec prowadnicy dotknie jakiegoś przedmiotu lub gdy drewno zacznie zaciskać się i zakleszczać na łańcuchu pilarki w nacięciu.

W niektórych przypadkach dotknięcie czubkiem prowadnicy może spowodować nagłe odskoczenie prowadnicy w górę i do tyłu w stronę operatora (Rys. B).

Zakleszczanie się łańcucha pilarki wzdłuż górnej krawędzi prowadnicy może gwałtownie popchnąć prowadnicę w tył w stronę użytkownika (Rys. C).

Opis części z Rys. B i C poniżej:

B-1	Odbicie obrotowe
C-1	Odbicie liniowe

Każda z tych sytuacji może doprowadzić do utraty kontroli nad pilarką, prowadząc do poważnych obrażeń. Nie należy polegać wyłącznie na wbudowanych w pilarkę mechanizmach zabezpieczających.

Użytkownik piły powinien podjąć wszelkie możliwe kroki w celu zabezpieczenia się przed wypadkiem lub obrażeniami.

Szarpięcie w tył jest efektem niewłaściwego użycia i/ lub obsługi pilarki lub wystąpienia warunków, których można unikać podejmując odpowiednie środki zapobiegawcze podane poniżej:

- **Zawsze pewnie trzymaj pilarkę obydwoma rękoma, zaciskając kciuki i palce na uchwytach pilarki i ustawiając ciało i ramiona w taki sposób, aby móc zamortyzować szarpnięcia w tył.** O ile zawczasu podjęte zostaną odpowiednie środki zapobiegawcze, odbicia da się kontrolować. Nie wolno dopuścić do wypuszczenia pilarki z rąk.
- **Nie sięgaj za daleko i nie przecinaj elementów znajdujących się powyżej wysokości ramion.** Pomaga to zapobiec przypadkowemu dotknięciu przeszkód końcem prowadnicy pilarki, a w nieprzewidzianych sytuacjach daje lepszą kontrolę nad narzędziem.
- **Należy używać wyłącznie prowadnic i łańcuchów wskazanych przez producenta lub równoważnych.** Niewłaściwe prowadnice łańcuchy mogą doprowadzić do pęknięcia łańcucha i/lub szarpnięcia w tył.
- **Należy przestrzegać instrukcji producenta dotyczących ostrzenia i konserwacji łańcucha pilarki.** Zmniejszenie wysokości ogranicznika zagłębienia może zwiększyć podatności na odbicia.
- **Upewnij się, że przestrzeń, na której tniesz jest pozbawiona przeszkód.** Uważaj, by przód prowadnicy nie dotykał kłód, gałęzi, plotów lub innych przeszkód, w które można uderzyć podczas obsługi pilarki.

PL

- **Zawsze trnij urządzenie ustawionym na pełną prędkość.** Naciśnij przełącznik spustowy i przytrzymaj prędkość cięcia.
- **Dzięki podstawowemu zrozumieniu zjawiska odbicia możesz zmniejszyć lub wyeliminować element zaskoczenia.** Zaskoczenie przyczynia się do wypadków.
- **Utrzymuj cały czas właściwą postawę i równowagę.**
- **Popchnij i pociągnij** - Siła reakcji zawsze jest przeciwna do kierunku, w którym łańcuch się porusza i gdzie dotyka drewna. Użytkownik musi być więc zawsze gotowy do kontroli CIĄGNIĘCIA, podczas cięcia dolnej krawędzi kłody i POPCHNIĘCIA, podczas cięcia górnej krawędzi (Rys, F).

WBUDOWANE W PILARCE ZABEZPIECZENIA PRZED ODBICIEM

Hamulec łańcucha

Pilarka łańcuchowa jest wyposażona w hamulec łańcucha, który wyłącza silnik i ruch łańcucha w przypadku nastąpienia odbicia. Hamulec łańcucha można włączyć ruszając do przodu uchwyt hamulca odbicia łańcucha, gdy pilarka obróci się do tyłu podczas odbicia; można również włączyć go siłą bezwładności powstałej podczas szybkiego uderzenia wstecznego.

⚠ OSTRZEŻENIE: Nigdy nie zmieniaj ani nie próbuj odłączać hamulca łańcucha.

Upewnij się, że hamulec łańcucha działa właściwie przed używaniem pilarki łańcuchowej. Uchwyt hamulca odbicia łańcucha powinien swobodnie się poruszać do przodu i do tyłu.

Aby przetestować działanie hamulca łańcucha, wykonaj następujące kroki (Rys, G):

- Umieść pilarkę na płaskiej, czystej powierzchni i upewnij się, że w pobliżu nie znajdują się żadne przedmioty ani przeszkody, które mogłyby dotknąć prowadnicę lub łańcuch.
- Zwolnij hamulec łańcucha pociągając za uchwyt hamulca odbicia łańcucha w kierunku przedniego uchwytu.
- Uruchom pilarkę.
- Popchnij uchwyt hamulca odbicia łańcucha do przodu pilarki. Właściwie działający hamulec ręczny natychmiast zatrzyma ruch łańcucha. Jeśli hamulec łańcucha nie działa właściwie, nie używaj pilarki dopóki nie zostanie on naprawiony przez serwisanta o właściwych kwalifikacjach.

Opis części z Rys. G poniżej:

G-1	Uchwyt hamulca odbicia łańcucha w położeniu działania
G-2	Uchwyt hamulca odbicia łańcucha w położeniu hamowania

⚠ OSTRZEŻENIE: Potwierdź właściwe działanie hamulca łańcucha przed każdym użyciem,

⚠ OSTRZEŻENIE: Jeśli hamulec łańcucha jest zablokowany wirami, jego działanie może się pogorszyć. Zawsze utrzymuj urządzenie w czystości.

Łańcuch pilarki o słabej skłonności do odbicia

Wąły rozdrabniające przed każdym ostrzem mogą zmniejszyć siłę reakcji odbicia uniemożliwiając ostrzom zbyt głębokie wejście w drewno w strefie odbicia. Do wymiany używaj wyłącznie łańcucha równoważnego lub uwierzytelnionego z oryginalnym łańcuchem.

⚠ OSTRZEŻENIE: Jako że łańcuchy pilarki są ostrzone podczas okresu użytkowania, tracą one niektóre własności słabego odbicia i należy wtedy zachować maksymalną ostrożność.

DODATKOWE OSTRZEŻENIA

- **Pilarka przeznaczona jest do pracy oburącz.** Posługiwanie się jedną ręką może spowodować poważne obrażenia użytkownika, jego pomocników, i/ lub osób postronnych.
- **Unikaj niezamierzonego kontaktu z nieruchomym łańcuchem lub szynami prowadnicy.** Mogą one być bardzo ostre. Zawsze noś rękawice, długie spodnie lub ochronne nogawice podczas manipulowania pilarką łańcuchową, łańcuchem lub prowadnicą.
- **Nigdy nie włączaj pilarki, która jest uszkodzona, niewłaściwie wyregulowana lub nie jest złożona w pełni i w sposób nie dający gwarancji bezpieczeństwa.** Upewnij się, że po puszczeniu przycisku spustowego pilarka zatrzymuje się.
- **Przed rozpoczęciem cięcia sprawdź, czy w drewnie nie ma gwoździ, przewodów lub innych obcych przedmiotów.**
- **Podczas przycinania na długość przymocuj drewno przed cięciem, Podczas wycinki lub przeredzania znajdź i zabezpiecz niebezpieczne gałęzie.**
- **Agresywne lub nadmierne cięcie lub niewłaściwe używanie pilarki łańcuchowej może spowodować przedwczesne zużycie prowadnicy, łańcucha i/lub zębątki oraz pęknięcie łańcucha lub prowadnicy, powodujące odbicie, odrzut łańcucha lub wyrzut materiału.**
- **Nigdy nie używaj prowadnicy jako dźwigni.** Wygięta prowadnica może spowodować przedwczesne zużycie prowadnicy, łańcucha i/lub zębątki oraz pęknięcie łańcucha lub prowadnicy, powodujące odbicie, odrzut łańcucha lub wyrzut materiału.
- **Do cięcia tylko jednego kawałka drewna jednocześnie.**

- Używaj wyłącznie akumulatorów i ładowarek EGO.

BATERIA	ŁADOWARKA
BA1120E, BA2240E, BA2800, BA3360, BA4200	CH5500E, CH2100E

- Nie używaj pilarki w miejscach podczas deszczu i w wilgotnych miejscach.
- Zaplanuj pracę, upewnij się, że na obszarze roboczym nie ma żadnych przeszkód i że podczas obalenia znajduje się co najmniej jedna droga ucieczki.
- Podczas obalenia osoby postronne powinny znajdować się w odległości co najmniej dwóch trzecich długości drzewa.
- Jeśli wystąpi jakaś sytuacja nieopisana w niniejszej instrukcji, zachowaj ostrożność i użyj odpowiedniego oszczędzania. Skontaktuj się z punktem obsługi klienta EGO.

PROWADNICA

Pilarka jest wyposażona w prowadnicę z końcówką o pomniejszonym promieniu. Końcówka o pomniejszonym promieniu ma mniejszy wpływ w razie odbicia. Przy wymianie prowadnicy zamawiaj tylko prowadnicę wymienioną w tej instrukcji.

NIE WYRZUCAĆ INSTRUKCJI!

SPECYFIKACJE

Model	CS1400E	CS1600E
Napięcie	56 V ---	56 V ---
Długość prowadnicy	350 mm	400 mm
Podziałka łańcucha	9,5 mm	9,5 mm
Miarka do łańcuchów	1,1 mm	1,1 mm
Rodzaj łańcucha pilarki	90PX052X (Oregon)	90PX052X (Oregon) 90PX056X (Oregon)
Rodzaj prowadnicy	144MLEA041 (Oregon)	144MLEA041 (Oregon) 164MLEA041 (Oregon)
Pojemność zbiornika na olej do łańcuchów	150 ml	150 ml
Waga (bez akumulatora, bez powłoki łańcucha)	3,81 Kg	3,86 Kg

Mierzony poziom mocy akustycznej L_{WA}	96,73 dB(A) $K_{WA} = -2,5$ dB(A)	96,4 dB(A) $K_{WA} = -2,5$ dB(A)	
Poziom ciśnienia dźwięku przy uchu operatora L_{PA}	85,73 dB(A) $K_{PA} = -2,5$ dB(A)	85,4 dB(A) $K_{PA} = -2,5$ dB(A)	
Gwarantowany poziom mocy akustycznej L_{WA} (zgodnie z 2000/14/EC):	100 dB(A)	99 dB(A)	
Drgania a_n	Uchwyt tylny	5,373 m/s ² $K = 1,5$ m/s ²	3,222 m/s ² $K = 1,5$ m/s ²
	Uchwyt przedni	4,146 m/s ² $K = 1,5$ m/s ²	3,081 m/s ² $K = 1,5$ m/s ²

- Deklarowana całkowita wartość wibracji została zmierzona zgodnie ze standardowymi metodami testowania i może być używana do porównywania różnych narzędzi;
- Deklarowana całkowita wartość wibracji może również być używana do wstępnej oceny narażenia na drgania.

UWAGA: Emisja drań podczas rzeczywistego stosowania elektronarzędzia może różnić się od deklarowanej wartości, w której narzędzie jest używane; aby się zabezpieczyć, użytkownik powinien nosić rękawice i ochronniki na uszy w rzeczywistych warunkach użytkowania.

LISTA ELEMENTÓW W OPAKOWANIU

NAZWY CZĘŚCI	ILOŚĆ
Głowica napędowa pilarki łańcuchowej	1
Łańcuch pilarki	1
Prowadnica	1
Powłoka łańcucha	1
Instrukcja użytkownika	1

PL

OPIS

ZAPOZNAJ SIĘ ZE SWOJĄ PILARKĄ ŁAŃCUCHOWĄ (Rys. A)

- Włącznik spustowy
- Przycisk zwalniania blokady
- Przycisk zwalnający akumulator
- Korek zbiornika oleju
- Wziernik kontroli oleju
- Łańcuch pilarki
- Prowadnica
- Zatrząsk

9. Mechanizm wyrzutu
10. Styki
11. Uchwyt hamulca odbicia łańcucha
12. Pokrętko ustawiania napięcia łańcucha
13. Uchwyt przedni
14. Uchwyt tylny
15. Śruba ustawiania napięcia łańcucha
16. Boczna pokrywa
17. Pokrętko bocznej pokrywy
18. Powłoka łańcucha
19. Otwór do smarowania
20. Zębatka w końcówce prowadnicy

UWAGA: Uchwyt hamulca odbicia łańcucha działa jak dźwignia do włączenia hamulca łańcucha. Zapewnia on również ochronę przeciw wyrzucaniu gałęzi i pomaga zapobiec dotykaniu lewą ręką łańcucha w razie ześlizgnięcia z przedniego uchwytu.

MONTAŻ

⚠ OSTRZEŻENIE: W przypadku braku lub uszkodzenia jakiegokolwiek części należy je wymienić przed rozpoczęciem obsługi urządzenia. Używanie urządzenia z uszkodzonymi lub brakującymi częściami może spowodować poważne obrażenia.

⚠ OSTRZEŻENIE: Nie próbuj zmieniać niczego w tym urządzeniu lub tworzyć akcesoriów nie zalecanych do stosowania z tą pilarką łańcuchową. Tego typu zmiany są niewłaściwym stosowaniem i mogą doprowadzić do wystąpienia zagrożenia i poważnych obrażeń.

⚠ OSTRZEŻENIE: Aby zapobiec przypadkowemu uruchomieniu, które może spowodować poważne obrażenia, zawsze wyjmij akumulator z urządzenia, gdy montujesz części.

PL

MONTAŻ/WYMIANA PROWADNICY I ŁAŃCUCHA

⚠ OSTRZEŻENIE: Zawsze noś rękawice podczas manipulowania prowadnicą i łańcuchem; te elementy są ostre i mogą zawierać zadziory.

1. Umieść głowicę napędową pilarki łańcuchowej na jej boku z boczna pokrywą skierowaną w górę (Rys. H).
2. Przekręć pokrętko bocznej pokrywy w kierunku przeciwnym do ruchu wskazówek zegara a następnie poluźnij pokrętko ustawiania napięcia łańcucha jak najwięcej.
3. Połóż nowy łańcuch w pętli na płaskiej powierzchni i wyprostuj wszelkie zaplątania (Rys. I).
4. Umieść ogniwa łańcucha w szczeliny prowadnicy i zrób pętlę z tyłu prowadnicy (Rys. J).

5. Przytrzymaj łańcuch w tej pozycji na prowadnicy i umieść pętlę wokół zębatki na głowicy napędowej.
6. Wsuń szczelinę prowadnicy nad kołnierżami wyrównującymi aż kolek regulacji naprężenia znajdzie się w dolnym otworze z tyłu prowadnicy (Rys. L1).

UWAGA: Małe strzałki są wygrawerowane w łańcuchu. Inna strzałka znajduje się na obudowie. Podczas zakładania łańcucha na zębatkę, upewnij się, że strzałki na łańcuchu odpowiadają kierunkowi strzałki na obudowie. Jeśli znajdują się w odwrotnym kierunku, przekręć łańcuch i prowadnicę (rys. L2).

7. Umieść pokrywę boczną i lekko zakręć pokrętko bocznej pokrywy.
8. Podnieś końcówkę prowadnicy i sprawdź, czy się nie ma ugiąć (Rys. K). Poluźnij końcówkę prowadnicy i przekręć pokrętko do ustawiania napięcia łańcucha w kierunku zgodnym z ruchem wskazówek zegara. Powtórz etapy aż do usunięcia ugięć.
9. Dokręć mocno pokrętko bocznej pokrywy, by upewnić się, że łańcuch jest właściwie naprężony przed użyciem.

Opis części z Rys. J i L poniżej:

J-1	Ogniwa łańcucha	L-2	Kolek ustawiania napięcia
J-2	Rowek prowadnicy	L-3	Szczelina prowadnicy
L-1	Kolnierż wyrównujący	L-4	Zębatka

UWAGA: Aby wydłużyć okres użytkowania prowadnicy, odwracaj od czasu do czasu prowadnicę.

UWAGA: Jeśli łańcuch jest zbyt mocno naciągnięty, nie będzie obracał się. Poluźnij lekko pokrętko bocznej pokrywy i przekręć pokrętko ustawiania napięcia z prawej strony w lewą. Podnieś końcówkę prowadnicy i mocno dokręć ponownie pokrętko bocznej pokrywy. Upewnij się, że łańcuch obraca się nie zakleszczając.

USTAWIANIE NAPIĘCIA ŁAŃCUCHA

- Zatrzymaj silnik i wyjmij akumulator przed ustawieniem napięcia łańcucha. Upewnij się, że pokrętko bocznej pokrywy zostało poluzowane. Przekręć pokrętko ustawiania napięcia łańcucha w kierunku zgodnym z ruchem wskazówek zegara, by ustawić napięcie łańcucha. Zobacz rozdział: „WYMIANA PROWADNICY I ŁAŃCUCHA”, aby uzyskać dodatkowe informacje.
- Zimny łańcuch jest właściwie naprężony, gdy pod spodem prowadnicy nie ma żadnego luzu a łańcuch mocno przylega, ale może być przekręcony ręcznie bez zacierania się. Napięcie łańcucha musi być ponownie ustawione, jeśli ogniwa napędowe zwisają ze szczeliny prowadnicy.

- Podczas normalnego działania pilarki, temperatura łańcucha może wzrosnąć. Ogniwa poprawnie napiętego rozgrzanego łańcucha znajdują się około 1,3 mm poza szczeliną prowadnicy (Rys. M).

UWAGA: Nowe łańcuchy mają skłonność do rozciągania się, sprawdzaj często napięcie łańcucha.

UWAGA: Łańcuch napięty, gdy jest rozgrzany może być zbyt napięty po ostygnięciu. Sprawdź napięcie na zimno przed następnym użyciem.

OBSŁUGA

⚠ OSTRZEŻENIE: Nawet po zaznajomieniu się z narzędziem, zachowaj ostrożność. Pamiętaj, że wystarczy ułamek sekundy nieuwagi, aby doszło do poważnego zranienia.

⚠ OSTRZEŻENIE: Noś zawsze okulary ochronne z bocznymi osłonami. Na skutek nieprzestrzegania tego zalecenia może dojść do odrzutu obcego ciała do oczu, co grozi poważnym skażeniem oka.

⚠ OSTRZEŻENIE: Nie używaj żadnych dodatków ani akcesoriów nie zalecanych przez producenta tego urządzenia.. Stosowanie nie zalecanych dodatków lub akcesoriów może spowodować poważne obrażenia ciała.

⚠ OSTRZEŻENIE: Aby zapobiec przypadkowemu uruchomieniu, które może spowodować poważne obrażenia, zawsze wyjmuj akumulator z urządzenia, gdy montujesz części, dokonujesz regulacji, czyszczenia lub kiedy nie używać urządzenia.

Przed każdym użyciem pilarkę należy zawsze skontrolować pod kątem uszkodzonych, zużytych, brakujących lub poluzowanych części, takich jak śruby, nakrętki, sworznie, korki, itp. Mocno przykręć wszystkie zatrzaski i korki i nie używaj urządzenia aż brakujące lub uszkodzone części nie zostaną wymienione.

ZASTOSOWANIE

Możesz stosować to urządzenie do podstawowego obalania, okrzesywania, odcinania gałęzi i cięcia drewna oraz drzew.

UWAGA: Narzędzie to może być stosowane wyłącznie do przewidzianych celów. Wszelkie inne zastosowania są uznane za przypadek niewłaściwego użycia.

NAPEŁNIANIE SMAREM PROWADNICY I ŁAŃCUCHA

⚠ OSTRZEŻENIE: Nie pal i nie przynoś ognia ani płomieni w pobliże oleju lub pilarki łańcuchowej. Olej może się rozlać i spowodować pożar.

UWAGA: Pilarka łańcuchowa nie jest napełniona olejem przy zakupie. Przed jej użyciem należy więc napełnić zbiornik olejem. Łańcuch jest automatycznie smarowany olejem podczas działania.

1. Umieść pilarkę łańcuchową na boku z korkiem zbiornika skierowanym w górę.
2. Wyczyść korek oraz przestrzeń wokół i przekręć go w kierunku przeciwnym do ruchu wskazówek zegara, by go wyjąć (Rys. N).
3. Wlej ostrożnie odpowiedni olej do zbiornika do osiągnięcia miarki poziomu oleju.
4. Wytrzyj nadmiar oleju i włóż korek.

UWAGA: W pozycji pionowej olej powinien wypełnić wziemik. Gdy nie widać już oleju we wziemiku, natychmiast przewij używanie i wypełnij zbiornik.

MONTOWANIE/WYJMOWANIE AKUMULATORA

Naladuj całkowicie przed pierwszym użyciem.

Montowanie (Rys. O)

Wyrównaj rowki akumulatora ze otworami montażowymi i wciśnij akumulator aż usłyszysz kliknięcie.

Wyjmowanie (Rys. P)

Wciśnij przycisk zwalniania akumulatora i wyciągnij akumulator.

URUCHAMIANIE/ZATRZYMYWANIE PILARKI ŁAŃCUCHOWEJ

UWAGA: Przed uruchomieniem pilarki łańcuchowej, sprawdź poziom oleju, ostrość zębów oraz prawidłowe działanie uchwytu hamulca odbicia. Niezbędne są również właściwa postawa oraz odpowiednia odległość od ziemi.

Rozpoczęcie

1. Pociągnij uchwyt hamulca odbicia łańcucha w kierunku przedniego uchwytu do pozycji działania (Rys. G).
2. Chwyć mocno przedni i tylny uchwyt dwoma rękoma.
3. Wciśnij najpierw przycisk zwalniania blokady, następnie przełącznik spustowy, by włączyć urządzenie (Rys. Q). Zwolnij przycisk zwalniania blokady i wciśnij wciśnij przełącznik spustowy, by kontynuować działanie.

⚠ OSTRZEŻENIE: Nie próbuj uruchamiać pilarki, jeśli łańcuch jest w trakcie cięcia.

Wyłączenie

1. Zwolnij przełącznik spustowy.
2. Popchnij uchwyt hamulca odbicia łańcucha do pozycji hamulca, by go włączyć (Rys. G).

PL

⚠ OSTRZEŻENIE: Zawsze wyjmuj akumulator z pilarki podczas przerw w pracy i po zakończeniu pracy.

Właściwy chwyt uchwytów (Rys. E)

- Noś antypoślizgowe rękawice dla maksymalnego chwytu i ochrony.
- Ustaw pilarkę na stałym, płaskim podłożu i przytrzymaj ją mocno dwoma rękami.
- Zawsze chwytaj przedni uchwyt lewą ręką i tylny uchwyt prawą.
- Palce powinny objąć uchwyt a kciuk powinien podtrzymywać dolną część przedniego uchwytu.

⚠ OSTRZEŻENIE: Nigdy nie chwytaj krzyżując ręce i nie stawaj w pozycji, w której ciało lub ramiona znajdują się w poprzek łańcucha.

Właściwa postawa do cięcia (Rys. S)

- Obie nogi powinny stać na solidnym podłożu, a ciężar równomiernie rozłożony między nimi.
- Lewa ręka powinna być prosta a łokieć nieruchomy. Taka pozycja pomaga w wytrzymaniu siły generowanej przez odbicie.
- Ciało powinno zawsze znajdować się po lewej stronie łańcucha.

INSTRUKCJE DOTYCZĄCE WŁAŚCIWYCH TECHNIK PODSTAWOWEGO OBALANIA, OKRZESYWANIA I CIĘĆ POPRZECZNYCH

⚠ OSTRZEŻENIE: Gdy silnik jest włączony, pilarkę należy mocno trzymać obydwoma rękami i mieć stabilne oparcie dla nóg.

PL

⚠ OSTRZEŻENIE: Gdy pilarka jest wyłączona z powodu zakleszczenia, poluźnij przełącznik spustowy, wyjmij łańcuch i prowadnicę z drewna, uruchom ponownie pilarkę.

⚠ OSTRZEŻENIE: Nie pociągaj za łańcuch ręką, gdy jest on zablokowany trocinami. Przypadkowe uruchomienie się pilarki łańcuchowej grozi poważnymi obrażeniami. Dociśnij łańcuch do drzewa, ruszaj pilarką do tyłu i do przodu, by usunąć zanieczyszczenia. Zawsze wyjmuj akumulator przed czyszczeniem. Noś rękawice ochronne przy manipulowaniu łańcucha.

⚠ OSTRZEŻENIE: Nigdy nie uruchamiaj pilarki łańcuchowej, gdy dotyka drewna. Zawsze odczekaj, aż pilarka nabierze pełnej prędkości zanim dotkniesz nią drewno.

Obalanie drzewa

- Podczas przycinania i obalania przez dwie osoby jednocześnie, należy wykonywać obie te czynności w odległość co najmniej dwóch razy wysokości drzewa do obalania. Drzewa powinny być obalane w taki sposób, by nie zranić żadnej osoby, uderzyć w linie energetyczne lub uszkodzić przedmioty. Jeśli drzewo dotknie linii energetycznej, należy natychmiast powiadomić odpowiednie przedsiębiorstwo energetyczne.
- Operator pilarki łańcuchowej powinien stać na górze terenu spadkowego, gdyż drzewo może się stoczyć lub ześlizgnąć na dół stoku po obaleniu.
- Należy przewidzieć ścieżkę ucieczki i oczyścić ją oczyścić przed rozpoczęciem cięcia. Ścieżka ta powinna rozciągać się z tyłu i po przekątnej drzewa aż do tylnej krawędzi przewidzianej linii upadku, zgodnie z Rys. T.
- Przed rozpoczęciem obalania rozważ naturalne pochylenie drzewa, położenie dużych gałęzi i kierunek wiatru, by oszczędzić, w którą stronę drzewo upadnie.
- Usuń zanieczyszczenia, kamienie, korę, gwoździe, zszywki i przewody z drzewa.

Nacięcie karbu

Wytnij karb obalania na około 1/3 średnicy pnia prostopadle do kierunku upadku drzewa, zgodnie z Rys. U. Wykonaj najpierw nacięcie karbu na dole. Dzięki temu można uniknąć zakleszczenia łańcucha pilarki lub prowadnicy, w trakcie wykonywania drugiego nacięcia.

Rzaz ścinający

- Wykonaj nacięcie ścinające co najmniej 50 mm wyżej od poziomego nacięcia, zgodnie z Rys. U. Nacięcie ścinające powinno być równoległe do poziomego nacięcia karbu. Wykonaj nacięcie ścinające tak, by pozostała wystarczająca ilość drewna, by służyła jako „zawiasa łamania”. Unika ona obrócenia się pniaka oraz przewrócenie się w niewłaściwym kierunku. Nie wycinaj całkowicie zawiasy.
- Jak tylko zrąb znajdzie się w pobliżu zawiasy, drzewo powinno zacząć się przewracać. Jeśli drzewo nie przewraca w żądanym kierunku lub jeśli kołysze się i blokuje łańcuch, zatrzymaj cięcie przed końcem i użyj drewnianych, plastikowych lub aluminiowych klinów do otworzenia cięcia i upuszczenia drzewa zgodnie z żądaną linią upadku.
- Gdy drzewo zaczyna upadać, wyjmij pilarkę z nacięcia, wyłącz silnik, odłóż pilarkę i odsuń się do zaplanowanej drogi ucieczki. Uważaj na spadające gałęzie nad głową i patrz się pod nogi.

Opis części z Rys. T i U poniżej:

T-1	Kierunek obalania	U-2	Nacięcie
T-2	Droga ucieczki	U-3	Rzaz ścinający
U-1	Kierunek upadku	U-4	Zawiasa

Okrzesywanie drzewa

Okrzesywanie polega na usuwaniu gałęzi z obalonego drzewa. Przy okrzyszowaniu pozostaw szerokie, dolne gałęzie, by utrzymać kłodę nad ziemią. Usuń małe gałęzie jednym cięciem, zgodnie z Rys. V. Gałęzie pod napięciem należy przycinać od spodu, by uniknąć zakleszczenia się pilarki.

Przecinanie kłód

- Jest to cięcie kłód na małe kawałki. Musisz się upewnić, że masz solidne oparcie na nogi a Twoja waga jest równomiernie rozłożona na obie nogi. Gdy jest to możliwe, kłoda powinna być uniesiona i podtrzymywana gałęziami, kłodami lub klinami. Postępuj zgodnie z prostymi wskazówkami dla łatwiejszego cięcia.
- Gdy kłoda jest przytrzymywana na całej swojej długości, zgodnie z Rys. W1, jest przycinana od góry (przerzwanie od góry).
- Gdy kłoda jest przytrzymywana z jednego końca zgodnie z Rys. W2, jest przycinana na 1/3 średnicy od spodu (przerzwanie od dołu). Następnie wykonaj ostateczne cięcie od góry, by dojść do pierwszego nacięcia.
- Gdy kłoda jest przytrzymywana z dwóch końców, zgodnie z Rys. W3, jest przycinana na 1/3 średnicy od góry (przerzwanie od góry). Następnie wykonaj ostateczne cięcie przerywając od dołu do 2/3 średnicy, by dojść do pierwszego nacięcia.
- Przy przecinaniu na stoku, zawsze stań na górze terenu, zgodnie z Rys. X.
- Przy „przecinaniu w poprzek”, aby zachować całkowitą kontrolę, zwolnij nacisk cięcia przy końcu nie zwalniając chwytu na uchwytach pilarki łańcuchowej. Uważaj, by łańcuch nie dotknął ziemi. Po zakończeniu cięcia odczekaj, aż łańcuch zatrzyma się zanim poruszysz pilarkę. Zawsze wyłączaj silnik przed przejściem do drugiego drzewa.

KONSERWACJA

⚠ OSTRZEŻENIE: Podczas prac serwisowych używaj wyłącznie części zamiennych identycznych z oryginalnymi. Stosowanie innych części stwarza zagrożenie i może spowodować uszkodzenie produktu.

⚠ OSTRZEŻENIE: Zawsze noś okulary ochronne podczas wykonywania prac konserwacyjnych na pilarcie.

⚠ OSTRZEŻENIE: Aby uniknąć obrażeń, wyjmij akumulator z pilarki przed kontrolą, czyszczeniem i konserwacją. Urządzenie akumulatorowe z akumulatorem wewnątrz jest zawsze włączone i może przypadkowo się uruchomić.

⚠ OSTRZEŻENIE: Podczas czyszczenia pilarki łańcuchowej, NIE zanurzaj jej w wodzie ani innych płynach.

⚠ OSTRZEŻENIE: Uważaj, by płyny hamulcowe, paliwo, produkty ropopochodne lub oleje penetrujące dostały się do części plastikowych. Substancje chemiczne mogą uszkodzić, osłabić lub zniszczyć plastik i spowodować poważne obrażenia ciała.

CZYSZCZENIE

- Po każdym użyciu usuń zanieczyszczenia z łańcucha i prowadnicy za pomocą delikatnej szczoteczki. Wytrzyj powierzchnię pilarki miękką ściereczką zwilżoną łagodnym roztworem mydła.
- Wyjmij pokrywę boczną i za pomocą delikatnej szczoteczki usuń zanieczyszczenia z prowadnicy, łańcucha, zębátky i pokrywy bocznej.
- Zawsze usuwaj drewniane kawałki, pył z pilarki oraz brud ze szczeliny prowadnicy, gdy wymieniasz łańcuch.

WYMIANA PROWADNICY I ŁAŃCUCHA

⚠ OSTRZEŻENIE: Nigdy nie dotykaj lub nie ustawiaj łańcucha przy włączonym silniku. Łańcuch [pilarki ma bardzo ostre krawędzie.

UWAGA: Podczas wymiany prowadnicy i łańcucha zawsze używaj określonego zestawu prowadnicy i łańcucha wymienionego w instrukcji.

Demontuj zużyty prowadnicę i łańcuch (Rys. Y)

1. Wyjmij akumulator, odczekaj aż pilarka ostygnie i dokręć korek zbiornika na olej.
2. Umieść pilarkę łańcuchową na boku z boczną pokrywą skierowaną w górę.
3. Należy nosić rękawice. Wyjmij boczną pokrywę przekręcając pokrętko w kierunku przeciwnym do ruchu wskazówek zegara. Czyść boczną pokrywę suchą ściereczką.

UWAGA: Jest to dobry moment do sprawdzenia, czy zębátka nie jest zużyta lub uszkodzona.

Montaż nowej prowadnicy i łańcucha

Postępuj zgodnie z instrukcjami w rozdziale **MONTAŻ/ WYMIANA PROWADNICY I ŁAŃCUCHA** w tej instrukcji.

Ustawianie napięcia łańcucha

Postępuj zgodnie z instrukcjami w rozdziale **USTAWIANIE NAPIĘCIA ŁAŃCUCHA** w tej instrukcji.

PL

KONSERWACJA ŁAŃCUCHA

▲ OSTRZEŻENIE: Zawsze noś rękawice podczas manipulowania łańcuchem; te elementy są ostre i mogą zawierać zadziory.

Używaj wyłącznie łańcuchów o małym odbiciu na pilarcie. Należyście konserwowany, ten łańcuch szybkością ogranicza ryzyko odbicia.

Właściwie naostrzony łańcuch tnije drewno bez wysiłku nawet przy małym nacisku.

Nigdy nie używaj tępego lub uszkodzonego łańcucha. Tępy łańcuch prowadzi do zwiększonego wysiłku fizycznego, zwiększonego obciążenia drganiami, niezadowolające wyniki cięcia oraz zwiększone zużycie.

Konserwujcie należyście wasz łańcuch w celu uzyskiwania czystego i szybkiego cięcia. Łańcuch powinien zostać naostrzony, jeżeli wytwarzane wióry są małe i sproszkowane, gdy trzeba forsować podczas cięcia drewna lub gdy łańcuch tnije tylko po jednej stronie. Podczas konserwacji łańcucha zwróć uwagę na następujące punkty:

- Niewłaściwy kąt naostrzenia krawędzi bocznej może zwiększyć ryzyko odbicia.
- Luz ograniczników głębokości. Im większy luz, tym większe jest ryzyko odbicia. A przy niewystarczająco głębokim ustawieniu, pogarsza się z kolei jakość cięcia.
- Jeżeli zęby dotykają twardych przedmiotów, takich jak gwoździe czy kamienie, albo są zużyte przez błoto czy piasek znajdujący się na drewnie, ostrzenie łańcucha powinno być powierzone upoważnionemu punktowi serwisowemu.

UWAGA: Sprawdź, czy napędowe koło łańcuchowe nie jest zużyte lub uszkodzone przy wymianie łańcucha. Jeśli pojawią się objawy zużycia lub uszkodzeń na określonym obszarze, należy wymienić napędowe koło łańcuchowe przez serwisanta z odpowiednimi kwalifikacjami.

PL

KONSERWACJA PROWADNICY

Jeśli pojawią się objawy zużycia lub uszkodzeń na prowadnicy, obróć ją na pilarcie, by rozprowadzić zużycie dla maksymalnego okresu użytkowania prowadnicy. Prowadnicę należy czyścić za każdym użyciem i sprawdzać, czy nie jest zużyta lub uszkodzona. Odkształcania i zgorzeliny na szynach prowadnicy jest normalnym procesem zużycia prowadnicy. Takie elementy powinny być wygładzone pilnikiem jak tylko powstaną. Prowadnica z takim zużyciem powinna być wymieniona.

- Zużycie wewnątrz szyn prowadnicy sprawia, że łańcuch może położyć się na bok.
- Wygięta prowadnicy.
- Spękane lub połamane szyny prowadnicy.
- Odchylone szyny prowadnicy.

Prowadnica jest dodatkowo wyposażona w zębatkę na jej końcu (Rys. A-20). Należy również co tydzień smarować zębatkę wstrzykując produkt smarujący, by przedłużyć okres użytkowania prowadnicy. Użyj dużej strzykawki do cotygodniowego smarowania olejem do przewidzianego w tym celu otworu (Rys. A-19). Obróć prowadnicę i sprawdź, czy otwory do smarowania i rowki łańcucha nie zawierają zanieczyszczeń.

TRANSPORT I PRZECHOWYWANIE

- Nie przechowuj ani nie transportuj włączonej pilarki łańcuchowej. Zawsze wyjmuj akumulator przed przechowywaniem lub transportem.
- Zawsze umieszczaj powłokę łańcucha na prowadnicy i łańcuchu przed przechowywaniem lub transportem pilarki łańcuchowej. Zachowaj ostrożność, by uniknąć ostrych zębów łańcucha.
- Dokładnie wyczyść pilarkę łańcuchową przed przechowywaniem. Przechowuj pilarkę w zadaszonym, suchym pomieszczeniu zamkniętym na klucz i/lub niedostępnym dla dzieci.
- Przechowuj z dala od czynników korozyjnych takich jak chemiczne substancje ogrodnicze lub sole odłagające.

Ochrona środowiska



Nie wyrzucaj elektrycznego sprzętu, ładowarek do baterii i baterii akumulatorów z odpadami gospodarstwa domowego!

Zgodnie z dyrektywą europejską 2012/19/EG, sprzęt elektryczny i elektroniczny, który nie nadaje się już do użytku i zgodnie z europejską dyrektywą 2006/66/WG, wadliwe lub zużyte baterie i akumulatory muszą być zbierane oddzielnie.

Wyrzucenie urządzeń elektrycznych na wysypisko grozi wyciekami niebezpiecznych substancji do wód gruntowych i przedostaniem się ich do łańcucha pokarmowego, ze szkodą dla zdrowia i jakości życia użytkownika.

DEKLARACJA ZGODNOŚCI WE



Producent, CHERVON EUROPE LTD.
47 CASTLE STREET, READING, RG1 7SR, UNITED
KINGDOM

Oświadczam, że produkt pilarka łańcuchowa z akumulatorem
litowo-jonowym spełnia zasadnicze wymaganie w zakresie
zdrowia i bezpieczeństwa zawartych w następujących
dyrektywach:

2006/42/EC, 2004/108/EC, 2011/65/EU, 2000/14/EC

Normach i specyfikacjach, o których mowa w:

EN 60745-1, EN 60745-2-13, EN 55014-1, EN 55014-2

	CS1400E	CS1600E
Mierzony poziom mocy akustycznej:	96,73 dB(A)	96,4 dB(A)
Gwarantowany poziom mocy akustycznej:	100 dB(A)	99 dB(A)

Peter Melrose
vice-prezydent Chevron Europe

Dong Jianxun
Dyrektor ds Jakości w Chevron

*(upoważniony przedstawiciel CHEVRON i kierownik ds. technicznych)

01/01/2016

Nazwa, adres i numer identyfikacyjny powiadamianego organu:

TüV Rheinland LGA Products GmbH; Tillystra 2 D - 90431
Nürnberg, Germany; 0197.

Numer certyfikatu badania typu WE:

BM 50326004 0001 (CS1600E)

BM 50296271 0001 (CS1400E)

PL

ROZWIĄZYWANIE PROBLEMÓW

⚠ OSTRZEŻENIE: Zawsze chroń ręce rękawicami ochronnymi przy dokonywaniu czynności konserwacyjnych na łańcuchu pilarki. Zawsze wyjmuj akumulator do czynności konserwacyjnych i transportu pilarki.

PROBLEM	PRZYCZYNA	ROZWIĄZANIE
Silnik nie działa	<ul style="list-style-type: none"> ■ Akumulator nie jest zamocowany w pilarce. ■ Między pilarką i akumulatorem brak styku. ■ Akumulator jest wyczerpany. ■ Układ akumulatora lub pilarki jest przegrzany. ■ Przycisk zwalniania blokady nie jest wciśnięty przed wciśnięciem przełącznika spustowego. ■ Hamulec łańcucha włączony. ■ Łańcuch pilarki zablokowany w drzewie. ■ Zanieczyszczenia w szczelinie prowadnicy. ■ Zanieczyszczenia w bocznej pokrywie. 	<ul style="list-style-type: none"> ■ Zamontuj akumulator w pilarce. ■ Wyjmij akumulator, sprawdź styki i zamontuj ponownie akumulator, ■ Naładuj akumulator. ■ Odczekaj, aż akumulator lub pilarka ochłodną do temperatury poniżej 67°C. ■ Wciśnij przycisk zwalniania blokady i przytrzymaj go, wciśnij przełącznik spustowy, by włączyć pilarkę. ■ Pociągnij uchwyt hamulca odbicia do tyłu w kierunku przedniego uchwytu. ■ Połóżnij przełącznik spustowy, wyjmij łańcuch i prowadnicę z drewna, uruchom ponownie pilarkę. ■ Dociśnij łańcuch do drzewa, ruszaj pilarką do tyłu i do przodu, by usunąć zanieczyszczenia. ■ Wyjmij akumulator, wyjmij następnie boczną pokrywę i usuń zanieczyszczenia.
Silnik działa, ale łańcuch nie obraca się	<ul style="list-style-type: none"> ■ Łańcuch nie włącza napędowego koła łańcuchowego. 	<ul style="list-style-type: none"> ■ Zainstaluj ponownie łańcuch, upewnij się, że ogniwa łańcucha są całkowicie założone na zębatce.
Hamulec łańcucha nie włącza się	<ul style="list-style-type: none"> ■ Zanieczyszczenia przeszkadzają w pełnym ruchu uchwytu hamulca odbicia łańcucha. ■ Możliwość niewłaściwego działania hamulca łańcucha 	<ul style="list-style-type: none"> ■ Usuń zanieczyszczenia z zewnętrznego mechanizmu hamulca łańcucha. ■ Skontaktuj się z punktem obsługi klienta EGO.

PL

PROBLEM	PRZYCZYNA	ROZWIĄZANIE
Pilarka łańcuchowa nie tnie właściwie	<ul style="list-style-type: none"> ■ Ustaw odpowiedni naciąg łańcucha. ■ Łańcuch tępy. ■ Łańcuch zainstalowany w odwrotnym kierunku. ■ Zużyty łańcuch. ■ Suchy lub zbyt rozciągnięty łańcuch. ■ Łańcuch poza szczeliną prowadnicy. 	<ul style="list-style-type: none"> ■ Ponownie ustaw naciąg łańcucha zgodnie z tym rozdziałem: „USTAWIANIE NAPIĘCIA ŁAŃCUCHA” ■ Naostrz ostrza łańcucha zgodnie z tym rozdziałem: OSTRZENIE OSTRZY. ■ Ponownie zainstaluj łańcuch, zgodnie z tym rozdziałem: WYMIANA PROWADNICY I ŁAŃCUCHA. ■ Wymień łańcuch, zgodnie z tym rozdziałem: WYMIANA PROWADNICY I ŁAŃCUCHA. ■ Sprawdź poziom oleju. Napełnij zbiornik w razie potrzeby. ■ Ponownie zainstaluj łańcuch, zgodnie z tym rozdziałem: WYMIANA PROWADNICY I ŁAŃCUCHA.
Prowadnica i łańcuch nagrzewają się i dymią podczas działania	<ul style="list-style-type: none"> ■ Sprawdź, czy napięcie łańcucha nie jest zbyt duże. ■ Zbiornika na olej jest pusty. ■ Zanieczyszczenia w szczelinie prowadnicy. 	<ul style="list-style-type: none"> ■ Ponownie naciągnij łańcuch, zgodnie z tym rozdziałem: „USTAWIANIE NAPIĘCIA ŁAŃCUCHA”. ■ Napełnianie smarem prowadnicy i łańcucha. ■ Usuń zanieczyszczenia ze szczeliny.

GWARANCJA

POLITYKA GWARANCYJNA EGO

W celu zapoznania się z wszystkimi warunkami polityki gwarancyjnej EGO prosimy odwiedzić stronę egopowerplus.com.

PL

PŘEČTĚTE SI VŠECHNY POKYNY!



PŘEČTĚTE SI A SEZNAMTE SE S NÁVODEM K OBSLUZE

⚠ Zbytkové riziko! Lidé s elektronickými přístroji, jako jsou např. kardiostimulátory, by se měli před použitím toho výrobku poradit se svým lékařem. Použití elektrického zařízení v těsné blízkosti kardiostimulátoru může způsobit narušení činnosti nebo poruchu kardiostimulátoru.

⚠ VAROVÁNÍ: Z důvodu bezpečnosti by měl všechny opravy a výměny provádět kvalifikovaný servisní technik.

BEZPEČNOSTNÍ SYMBOLY

Účelem bezpečnostních symbolů je upoutat vaši pozornost k případným nebezpečím. Bezpečnostní symboly a jejich vysvětlení vyžadují vaši zvýšenou pozornost a porozumění. Výstražné symboly samy o sobě nevylučují žádné nebezpečí. Pokyny a varování nejsou náhradou vhodných opatření pro prevenci úrazů.

⚠ VAROVÁNÍ: Před použitím tohoto nástroje si přečtěte a seznamte se se všemi bezpečnostními pokyny v tomto návodu k obsluze včetně veškerých výstražných symbolů, jako např. „NEBEZPEČÍ“, „VAROVÁNÍ“ nebo „UPOZORNĚNÍ“. Nedodržení níže uvedených pokynů může mít za následek úraz elektrickým proudem, požár anebo vážná poranění osob.

VÝZNAM SYMBOLŮ

BEZPEČNOSTNÍ VÝSTRAŽNÉ SYMBOLY: Upozorňují na **NEBEZPEČÍ**, **VAROVÁNÍ**, nebo **UPOZORNĚNÍ**. Lze je používat ve spojení s jinými symboly nebo piktogramy.

⚠ UPOZORNĚNÍ: Při použití elektrického nářadí může dojít k vymrštění cizích těles do očí, což může způsobit jejich závažné poškození. Před použitím elektrického nářadí si vždy nasadte ochranné brýle, ochranné brýle s bočními kryty nebo v případě potřeby obličejový štít. Na brýle nebo standardní ochranné brýle s bočními kryty doporučujeme použít ochrannou masku.

BEZPEČNOSTNÍ POKYNY

Na této stránce jsou zobrazeny a popsány bezpečnostní symboly, které se mohou objevit na výrobku. Před montáží a provozem si přečtěte, seznamte se a dodržujte veškeré pokyny ke stroji.

	Bezpečnostní upozornění	Upozorňuje na možné riziko úrazu.
	Přečtěte si návod k obsluze	Z důvodu snížení rizika úrazu si musí uživatel přečíst návod k obsluze
	Používejte ochranu očí	Vždy noste ochranné brýle, ochranné brýle s bočními kryty nebo obličejový štít při použití tohoto výrobku.
	Používejte chrániče sluchu	Při práci s tímto výrobkem vždy používejte chrániče sluchu.
	Používejte ochranu hlavy	K ochraně hlavy používejte schválenou pevnou ochrannou přilbu.
	Používejte ochranné rukavice	Při manipulaci s řetězovou pilou chraňte ruce rukavicemi. Odolné protiskluzové rukavice zlepšují váš úchop a chrání ruce.
	Vodící lišta	Informace o vodící liště.
	Pozor na zpětný ráz	Hrot vodící lišty nesmí přijít do styku s žádným předmětem
	Zpětný ráz hrotu vodící lišty	Styk s hrotem může způsobit prudký pohyb vodící lišty vzhůru a vzad, což může způsobit vážný úraz.
	Obouruční úchop	Při práci s řetězovou pilou vždy používejte obě ruce
	Nevystavujte ji dešti.	Nepoužívejte ani nechte venku v dešti.
	CE	Dette produktet er i samsvar med de gjeldende EU-direktivene.
	Hluk	Garantert lydeffektiv. Støytusslipp til miljøet i henhold til EU-direktiv.

CZ

	WEEE	Elektrisk avfall skal ikke kastes sammen med husholdningsavfallet. Ta det med til autorisert resirkuleringsanlegg.
V	Voltů	Napětí
A	Ampérů	Proud
Hz	Hertzů	Frekvence (počet cyklů za sekundu)
W	Wattů	Výkon
min	Minut	Doba
	Střídavý proud	Druh proudu
	Stejnosměrný proud	Druh nebo vlastnosti proudu
n_0	Rychlost při chodu naprázdno	Otáčky při chodu naprázdno
... /min	Za minutu	Otáčky za minutu

OBECNÁ BEZPEČNOSTNÍ VAROVÁNÍ PRO PRÁCI S ELEKTRICKÝM NÁŘADÍM

VAROVÁNÍ: Přečtěte si všechna bezpečnostní varování a pokyny. Nedodržení varování a pokynů může mít za následek úraz elektrickým proudem, požár anebo vážný úraz.

Všechna varování a pokyny si uschovejte pro budoucí použití.

Termín „elektrické nářadí“ ve varováních odkazuje na vaše elektrické (s kabelem) nebo akumulátorové (bez kabelu) elektrické nářadí.

BEZPEČNOST NA PRACOVIŠTI

- Udržujte své pracoviště čisté a zajistěte dostatečné osvětlení. Zaneřáděné a tmavé prostory bývají častou příčinou úrazů.
- Elektrické nástroje/přístroje neprovazujte ve výbušném prostředí, jako například s výskytem hořlavých kapalin, plynů nebo prachu. Elektrické nástroje a přístroje totiž produkují jiskru, která může zapálit prach nebo výpary.
- Při práci s elektrickým nářadím udržujte děti a ostatní osoby v bezpečné vzdálenosti. Nesoustředěnost může způsobit ztrátu kontroly.

ELEKTRICKÁ BEZPEČNOST

- Zástrčky elektrického nářadí musí odpovídat zásuvkám. Zástrčku nikdy nijak neupravujte. S uzemněným elektrickým nářadím nepoužívejte žádné rozbočovací zásuvky. Neupravené zástrčky a shodné zásuvky snižují riziko úrazu elektrickým proudem
- Vyhýbejte se kontaktu s uzemněnými plochami, například trubkami, radiátory, sporáky a lednicemi. Pokud jste uzemněni, hrozí vám vyšší riziko úrazu elektrickým proudem.
- Elektrické nářadí chraňte před deštěm a vlhkem. Voda vnikající do elektrického nářadí zvyšuje riziko úrazu elektrickým proudem.
- Kabel nepoužívejte k jiným účelům. Nikdy nepoužívejte kabel k přenášení, tahání nebo odpojování elektrického nářadí z elektrické sítě. Kabely chraňte před horkem, olejem, ostrými hranami nebo pohyblivými díly. Poškozené nebo spletené kabely zvyšují riziko úrazu elektrickým proudem.
- Pokud používáte elektrické nářadí venku, použijte prodlužovací kabel vhodný pro venkovní použití. Použití kabelu vhodného pro venkovní použití snižuje riziko úrazu elektrickým proudem.
- Pokud musíte s elektrickým nářadím pracovat ve vlhkém prostředí, použijte napájení chráněné zemním jističem. Použití přerušovače zemního obvodu (GFCI) snižuje riziko úrazu elektrickým proudem.

BEZPEČNOST OSOB

- Zůstaňte pozorní, sledujte, co děláte, a při práci s elektrickým nářadím buďte soudní. Elektrické nářadí nepoužívejte, jste-li unavení, pod vlivem návykových látek, alkoholu nebo léků. Jediná chvilka nepozornosti při práci s elektrickým nářadím může mít za následek vážný úraz.
- Používejte osobní ochranné pomůcky. Vždy používejte ochranu očí. Ochranné pomůcky, jako např. respirátor, protiskluzová bezpečnostní obuv, pevná přilba nebo chrániče sluchu používané ve vhodném prostředí snižují riziko úrazu.
- Zabraňte neúmyslnému spuštění. Dbejte, aby byl při zapojení do elektrické sítě anebo k akumulátoru, zdvihnutí nebo přenášení elektrického nářadí spínač v poloze vypnuto. Přenášení elektrického nářadí s prstem na spínači, nebo zapojování elektrického nářadí, které má zapnutý spínač, může snadno způsobit nehodu či úraz.
- Před zapnutím elektrického nářadí odstraňte stavěcí klíny nebo klíče. Klíč nebo klín, který zůstane na rotující části elektrického zařízení, může způsobit úraz.
- Nepřečnujte své síly. Vždy udržujte pevný postoj a rovnováhu. Umožní vám to lepší ovládnání elektrického nářadí v nečekaných situacích.

- **Používejte vhodný oděv. Nenoste volný oděv ani šperky. Vlasy, oděv a rukavice chraňte před pohyblivými díly.** Volný oděv, šperky nebo dlouhé vlasy se mohou zachytit do pohybujících se dílů.
- **Pokud jsou zařízení vybavena přípojkami pro zařízení k odsávání a sběr prachu, zajistěte, aby tato byla připojena a řádně používána.** Použití zařízení k odsávání prachu může snížit rizika spojená s prachem.

POUŽITÍ A PÉČE O ELEKTRICKÉ NÁŘADÍ

- **Elektrické nářadí nepřetěžujte. K práci používejte vhodné elektrické nářadí.** Správné elektrické nářadí vykoná práci lépe a bezpečněji rychlostí, pro niž je navrženo.
- **Nepoužívejte elektrické nářadí v případě, že vypínač nefunguje.** Jakékoliv elektrické nářadí, které nelze ovládat spínačem, je nebezpečné a musí se opravit.
- **Před prováděním úprav, výměnou příslušenství nebo uskladněním elektrického nářadí odpojte zástrčku od elektrické sítě anebo vyjměte akumulátor.** Tato preventivní opatření snižují riziko neúmyslného spuštění elektrického nářadí.
- **Nepoužívané elektrické nářadí uchovávejte mimo dosah dětí a nenechte s elektrickým nářadím pracovat osoby, které se neseznámily s elektrickým nářadím nebo těmito pokyny.** Elektrické nářadí se v rukou nequalifikovaných osob stává nebezpečným.
- **Údržba elektrického nářadí.** Kontrolujte případnou nesouosost nebo ohyb pohybujících se částí, narušení dílů a ostatní podmínky, které mohou ovlivnit provoz elektrického nářadí. V případě poškození nechejte elektrické nářadí před použitím opravit. Řada nehod je způsobena nedostatečně udržovaným elektrickým nářadím.
- **Řezné nástroje udržujte ostré a čisté.** Řádně udržované řezné nástroje s ostrými řeznými hranami nemají tendenci se ohýbat a snadněji se ovládají.
- **Elektrické nářadí, příslušenství, nástavce nástrojů atd. používejte v souladu s těmito pokyny a s přihlédnutím k pracovním podmínkám a vykonávané práci.** Používání elektrického nářadí k činnostem, pro které není určeno, může vést k nebezpečným situacím.

CZ

POUŽITÍ A PÉČE O AKUMULÁTOROVÉ NÁŘADÍ

- **K nabíjení používejte pouze nabíječku doporučenou výrobcem.** Nabíječka vhodná pro jeden typ akumulátoru může způsobit požár při použití s jiným typem akumulátoru.
- **Elektrické nářadí používejte výhradně se specifikovanými akumulátory.** Použití jiných akumulátorů může způsobit riziko úrazu nebo požáru.
- **Pokud akumulátor nepoužíváte, uchovávejte jej v bezpečné vzdálenosti od kovových předmětů jako jsou např. kancelářské sponky, mince, klíče, hřebíky, šrouby nebo jiné malé kovové předměty, které mohou propojit jednotlivé póly.** Zkrat pólů akumulátoru může způsobit popáleniny nebo požár.

- **V nepříznivých podmínkách může dojít k úniku tekutiny z akumulátoru; vyhněte se styku s ní. Pokud dojde k neúmyslnému styku, opláchněte místo vodou. Pokud dojde k zasažení očí, vyhledejte navíc lékařské ošetření.** Kapalina unikající z akumulátoru může způsobit podráždění nebo popáleniny.

SERVIS

- **Servis vašeho elektrického nářadí svěřte kvalifikovanému opraváři, který používá pouze originální náhradní díly.** Tím zajistíte bezpečnost elektrického nářadí.

BEZPEČNOSTNÍ VAROVÁNÍ PRO PRÁCI S ŘETĚZOVOU PILOU

- **Pokud je řetězová pila spuštěná, udržujte všechny části těla v bezpečné vzdálenosti od řetězové pily. Než řetězovou pilu spustíte, zkontrolujte, že se ničeho nedotýká.** Stačí chvilka nepozornosti při práci s řetězovou pilou a může dojít k zaplétání vašeho oděvu nebo části těla do řetězu.
- **Vždy držte řetězovou pilu pravou rukou za zadní rukojeť a levou rukou za přední rukojeť.** Úchop řetězové pily s rukama v obráceném pořadí zvyšuje riziko úrazu a nikdy by se neměl používat.
- **Elektrické nářadí držte pouze za izolované části rukojetí, protože pilový řetěz může být v kontaktu se skrytým vedením.** Pilové řetězy, které jsou v kontaktu s vodičem „pod proudem“, mohou rozvést proud do nechráněných kovových částí elektrického nářadí a způsobit obsluhu úraz elektrickým proudem.
- **Používejte ochranné brýle a chrániče sluchu.** Doporučujeme používat další ochranné pomůcky pro hlavu, ruce, nohy a chodidla. Vhodný ochranný oděv snižuje riziko úrazu způsobného odletujícími úlomky nebo neúmyslným stykem s pilovým řetězem.
- **Řetězovou pilu nepoužívejte na stromě.** Použití řetězové pily na stromě může vést k úrazu.
- **Vždy udržujte správný postoj a s řetězovou pilou pracujte, pouze když stojíte na pevném, bezpečném a rovném povrchu.** Kluzké nebo nestabilní povrchy, jako např. žebříky, mohou způsobit ztrátu rovnováhy nebo kontroly nad řetězovou pilou.
- **Při řezání větve, která je pod napětím, dávejte pozor na vymrštění.** Pokud se uvolní napětí ve vláknách dřeva, může se odpružená větev zasáhnou obsluhu anebo způsobit ztrátu kontroly nad řetězovou pilou.
- **Dbejte zvýšené opatrnosti při řezání křovinatého podrostu a malých stromků.** Tenký materiál se může zachytit o pilový řetěz a vymrstit směrem k vám, nebo vás vyvést z rovnováhy.
- **Řetězovou pilu přenášejte za přední rukojeť vypnutou a směřující od těla.** Při přepravě nebo skladování řetězové pily vždy nasadte kryt vodičí lišty. Správná manipulace s řetězovou pilou snižuje pravděpodobnost neúmyslného styku s pohybujícím se pilovým řetězem.

- **Dodržujte pokyny pro mazání, napínání řetězu a výměnu příslušenství.** Nesprávně napnutý nebo namazaný řetěz se může přetrhnout nebo zvýšit riziko zpětného rázu.
- **Udržujte rukojeti suché, čisté, bez oleje a maziva.** Rukojeti od maziva nebo oleje jsou kluzké a vedou ke ztrátě kontroly.
- **Řežte pouze dřevo. Nepoužívejte řetězovou pilu k účelům, pro které není určena. Například: nepoužívejte řetězovou pilu k řezání plastů, zdva nebo jiných stavebních materiálů, které nejsou ze dřeva.** Používání řetězové pily k činnostem, pro které není určena, může vést k nebezpečným situacím.
- **Dodržujte pokyny výrobce pro broušení a údržbu pilového řetězu.** Snižování výšky omezovacího zubu může vést k zesílení zpětného rázu.
- **Zkontrolujte, nejsou v prostoru, kde řežete, překážky.** Dbejte, aby přední část vodící lišty nepřišla do styku s kmenem, větví, plotem nebo jinou překážkou, kterou můžete zasáhnout při práci s pilou.
- **Vždy řežte s přístrojem, který běží na plné otáčky.** Zmáčknete zcela spínač a udržujete rychlost řezání.
- **Se základním pochopením zpětného rázu můžete snížit nebo vyloučit moment překvapení.** Náhlé překvapení přispívá k nehodám.
- **Vždy udržujte pevný postoj a rovnováhu.**

PŘÍČINY A PREVENCE ZPĚTNÉHO RÁZU OBSLUHY (obr. B, C, D a E)

K zpětnému rázu může dojít, když přední část nebo hrot vodící lišty přijde do styku s nějakým předmětem, nebo když se dřevo sevře a skřípne pilový řetěz v řezu.

Styk s hrotem může v některých případech způsobit prudkou zpětnou reakci, která vyvrstí vodící lištu vzhůru a vzad směrem k obsluze (obr. B).

Skřípnutí pilového řetězu podél horní části vodící lišty může prudce odrazit vodící lištu vzad směrem k obsluze (obr. C).

Obr. B a C, následuje popis postupu:

B-1	Rotační zpětný ráz
C-1	Lineární zpětný ráz

Každá z těchto reakcí může způsobit ztrátu kontroly nad pilou, což může vést k vážnému úrazu. Nespoléhejte se výhradně na bezpečnostní zařízení vestavěná do vaší pily.

Jako uživatelé řetězové pily byste měli přijmout několik opatření, aby při vaší práci nedocházelo k nehodám nebo úrazům.

Zpětný ráz je důsledkem nesprávného použití anebo nevhodného pracovního postupu nebo podmínek a lze mu předcházet přijetím následujících opatření:

- **Udržujte pevný úchop, kdy palce a prsty obepínají rukojeti řetězové pily, s oběma rukama na pile a nastavte své tělo a paže tak, aby umožňovaly kompenzaci sil zpětného rázu (obr. E).** Obsluha může kontrolovat síly zpětného rázu, pokud jsou přijata příslušná opatření. Řetězovou pilu nepouštějte.
- **Nepřeceňujte své síly a neřežte ve výšce nad úrovní ramen.** Pomáhá to zabránit nechtěnému styku hrotu a umožňuje lepší kontrolu nad řetězovou pilou v nečekaných situacích.
- **Používejte pouze náhradní lišty a nože specifikované výrobcem.** Nesprávné náhradní lišty nebo řetězy mohou způsobit přetržení řetězu anebo zpětný ráz.

- **Tlak a tah – reakční síla je vždy opačná ke směru pohybu řetězu při styku se dřevem.** A proto musí být obsluha připravena kontrolovat TAH při řezání na spodní straně lišty a TLAK při řezání podél horní strany (obr. F).

BEZPEČNOSTNÍ ZAŘÍZENÍ PROTI ZPĚTNÉMU RÁZU NA TÉTO ŘETĚZOVÉ PILE

Brzda řetězu

Řetězová pila je vybavena brzdou řetězu, která v případě zpětného rázu zastaví motor i pohyb řetězu. Brzdu řetězu lze aktivovat pohybem rukojeti brzdy řetězu při zpětném rázu vpřed, jelikož se pila otáčí při zpětném rázu vzad; může být aktivována také setrvačnými silami generovanými při prudkém odstrčení.

VAROVÁNÍ: Nikdy neupravujte ani se nepokoušejte brzdu řetězu vypnout.

Před použitím řetězové pily zkontrolujte, zda brzda řetězu správně funguje. Rukojeť brzdy řetězu při zpětném rázu se musí pohybovat snadno vpřed a vzad.

Chcete-li vyzkoušet funkci brzdy řetězu, postupujte následovně (obr. G):

- Položte řetězovou pilu na rovný, volný povrch a zkontrolujte, zda nejsou v její bezprostřední blízkosti předměty nebo překážky, které by mohly přijít do styku s lištou nebo řetězem.
- Uvolněte brzdu řetězu zatažením rukojeti brzdy řetězu při zpětném rázu směrem k přední rukojeti.
- Spusťte řetězovou pilu.
- Stiskněte rukojeť brzdy řetězu při zpětném rázu směrem k přední části pily. Správně fungující ruční brzda okamžitě zastaví pohyb řetězu. Pokud brzda řetězu správně nefunguje, nepoužívejte řetězovou pilu, dokud ji neopraví kvalifikovaný servisní technik.

CZ

Obr. G, následuje popis postupu:

G-1	Rukojeť brzdy řetězu při zpětném rázu v pracovní poloze
G-2	Rukojeť brzdy řetězu při zpětném rázu v brzdicí poloze

VAROVÁNÍ: Před každým použitím zkontrolujte, zda brzda řetězu pracuje správně.

VAROVÁNÍ: Pokud je brzda řetězu zanesená dřevěnými štěpkami, může se zhoršit její funkce. Vždy udržujte zařízení v čistotě.

Pilový řetěz se slabým zpětným rázem

Omezovací patky (omezovací zuby) před každým řezacím zubem mohou minimalizovat reakční sílu zpětného rázu tím, že zabrání řezacím zubům, aby zabraly příliš hluboko v zóně zpětného rázu. Používejte pouze náhradní řetězy, které jsou shodné s původním řetězem, nebo jsou certifikované.

UPOZORNĚNÍ: Pilové řetězy se v průběhu životnosti brousí, zhoršuje se kvalita redukce zpětného rázu a je nutné dbát zvýšené opatnosti.

DALŠÍ VAROVÁNÍ

- **Řetězová pila je určena k oboustrannému použití.** Při držení jednou rukou může dojít k vážnému úrazu obsluhy, pomocníků anebo ostatních osob.
- **Zamezte neúmyslnému kontaktu s nehybným pilovým řetězem nebo vodicími lištami.** Mohou být velmi ostré. Při manipulaci s řetězovou pilou, pilovým řetězem nebo vodicí lištou používejte rukavice a noste dlouhé kalhoty.
- **Nikdy nepoužívejte řetězovou pilu, která je poškozená, nesprávně nastavená nebo kompletně a bezpečně smontovaná.** Zkontrolujte, zda se pilový řetěz zastaví při uvolnění spínače
- **Před řezáním zkontrolujte, zda nejsou v obrobku hřebíky, dráty nebo jiná cizí tělesa.**
- **Při rozřezávání obrobek před řezáním upevněte.** Při kácení nebo prořezávání označte a zajistěte nebezpečné větve.
- **Agresivní a namáhavé řezání nebo nesprávné použití řetězové pily může způsobit předčasné opotřebení lišty, řetězu anebo ozubeného kola nebo dokonce přetržení řetězu a poškození lišty, což vede k zpětnému rázu, vymrštění řetězu nebo materiálu.**
- **Vodicí lištu nikdy nepoužívejte jako páku.** Ohnutá vodicí lišta může způsobit předčasné opotřebení lišty, řetězu anebo řetězového kola nebo dokonce přetržení řetězu a poškození lišty, což vede k zpětnému rázu, vymrštění řetězu nebo materiálu.
- **Řežte pouze jeden obrobek najednou.**

- **Používejte pouze akumulátory a nabíječky EGO.**

BATÉRIA	NABÍJAČKA
BA1120E, BA2240E, BA2800, BA3360, BA4200	CH5500E, CH2100E

- **Akumulátor nenabíjejte v dešti nebo na mokřem místě.**
- **Práci plánujte, zkontrolujte, zda je pracoviště bez překážek, a v případě kácení zajistěte aspoň jednu únikovou cestu od padajícího stromu.**
- **Při kácení udržujte ostatní osoby ve vzdálenosti aspoň dvou délek stromu.**
- **Pokud nastane situace, která není popsána v tomto návodu, použijte pečlivý a dobrý úsudek. Pro pomoc kontaktujte zákaznický servis společnosti EGO.**

VODICÍ LIŠTA

Tato pila je vybavena vodicí lištou s malým koncovým poloměrem. U malých koncových poloměrů hrozí obecně menší riziko zpětného rázu. Při výměně vodicí lišty dbejte, abyste objednali lištu uvedenou v tomto návodu.

TYTO POKYNY USCHOVEJTE PRO BUDOUCÍ POUŽITÍ!

SPECIFIKACE

Model	CS1400E	CS1600E
Napětí	56 V ---	56 V ---
Délka vodicí lišty	350 mm	400 mm
Rozteč řetězu	9,5 mm	9,5 mm
Měrka řetězu	1,1 mm	1,1 mm
Typ pilového řetězu	90PX052X (Oregon)	90PX052X (Oregon) 90PX056X (Oregon)
Typ vodicí lišty	144MLEA041 (Oregon)	144MLEA041 (Oregon) 164MLEA041 (Oregon)
Objem olejové nádrže	150 ml	150 ml
Hmotnost (bez akumulátoru a krytu řetězu)	3,81 Kg	3,86 Kg
Měřená úroveň akustického výkonu L_{WA}	96,73 dB(A) $K_{WA}=2,5$ dB(A)	96,4 dB(A) $K_{WA}=2,5$ dB(A)
Hladina akustického tlaku na sluch obsluhy L_{PA}	85,73 dB(A) $K_{PA}=2,5$ dB(A)	85,4 dB(A) $K_{PA}=2,5$ dB(A)

Zaručená úroveň akustického výkonu L_{WA} (podle směrnice 2000/14/ES)		100 dB(A)	99 dB(A)
Vibrace a_h	Zadní rukojeť	5,373 m/s ² K=1,5 m/s ²	3,222 m/s ² K=1,5 m/s ²
	Přední rukojeť	4,146 m/s ² K=1,5 m/s ²	3,081 m/s ² K=1,5 m/s ²

- Celková deklarovaná hodnota vibrací byla naměřena podle standardní zkušební metody a lze ji použít ke srovnání s jiným nářadím;
- Celkovou deklarovanou hodnotu vibrací lze použít také k předběžnému stanovení expozičních limitů.

POZNÁMKA: Emise vibrací při konkrétním použití elektrického nářadí se mohou lišit od deklarované hodnoty, při které se nářadí používá; z důvodu ochrany provozovatele by měl uživatel ve skutečných pracovních podmínkách nosit rukavice a chrániče sluchu.

OBSAH BALENÍ

NÁZEV DÍLU	MNOŽSTVÍ
Hnací jednotka řetězové pily	1
Pilový řetěz	1
Vodící lišta	1
Kryt řetězu	1
Návod k obsluze	1

POPIS

SEZNAMTE SE S VAŠÍ ŘETĚZOVOU PILOU (obr. A)

1. Spínač
2. Pojistka
3. Tlačítko pro uvolnění akumulátoru
4. Uzávěr olejové nádrže
5. Průhled pro kontrolu hladiny oleje
6. Pilový řetěz
7. Vodící lišta
8. Západka
9. Uvolňovací mechanismus
10. Elektrické kontakty
11. Rukojeť brzdy řetězu při zpětném rázu
12. Regulátor napnutí řetězu
13. Přední rukojeť
14. Zadní rukojeť
15. Napínací šroub řetězu
16. Boční kryt
17. Upínák bočního krytu

18. Kryt řetězu
19. Mazací otvor
20. Řetězové kolo v hrotu vodící lišty

POZNÁMKA: Rukojeť brzdy řetězu při zpětném rázu slouží jako páka pro aktivaci brzdy řetězu. Zajišťuje také ochranu proti vyčnívajícím větvím a brání levé ruce ve styku s pilovým řetězem, pokud sklouzne z přední rukojeti.

MONTÁŽ

VAROVÁNÍ: Pokud jsou některé díly poškozené, nebo chybí, nepoužívejte výrobek, dokud se díly nevymění. Použití tohoto výrobku s poškozenými nebo chybějícími díly může vést k vážnému úrazu.

VAROVÁNÍ: Nepokoušejte se výrobek upravovat ani vytvářet příslušenství, které se k této řetězové pile nedoporučuje. Každá taková změna nebo úprava je nesprávná a může vést k nebezpečné situaci, která může zapříčinit vážný úraz.

VAROVÁNÍ: Pokud provádíte montáž dílů, vždy vyjměte akumulátor, aby nedošlo k neúmyslnému spuštění, které může způsobit vážný úraz.

MONTÁŽ/VÝMĚNA LIŠTY A ŘETĚZU

VAROVÁNÍ: Při manipulaci s lištou a řetězem vždy používejte ochranné rukavice; tyto součásti jsou ostré a mohou obsahovat ořepky.

1. Položte hnací jednotku řetězové pily na bok tak, aby boční kryt směřoval vzhůru (obr. H).
2. Otočte upínákem bočního krytu proti směru hodinových ručiček, sejměte boční kryt a co nejvíce povolte regulátor napnutí řetězu.
3. Položte nový pilový řetěz ve smyčce na rovný povrch a vyrovnejte případné ohyby (obr. I).
4. Umístěte hnací články řetězu do drážky vodící lišty a vytvořte ze řetězu smyčku v zadní části vodící lišty (obr. J).
5. Držte řetěz v dané poloze na vodící liště a nasadte smyčku okolo řetězového kola hnací jednotky.
6. Posouvejte výřez vodící lišty přes vyrovnávací příruby, dokud seřizovací čep napnutí nezapadne do dolního otvoru na konci lišty (obr. L1).

POZNÁMKA: V pilovém řetězu jsou vyryté malé směrové šipky. Další směrová šipka je vyražena do pouzdra. Při navijení pilového řetězu na řetězové kolo dbejte, aby směr šipek na pilovém řetězu odpovídal směru šipek na pouzdru. Pokud směřují v opačných směrech, otočte sestavu pilového řetězu a vodící lišty (obr. L2).

7. Nasadte boční kryt a lehce utáhněte upínák bočního krytu.

CZ

8. Zdvihněte hrot vodící lišty a zkontrolujte, zda není prohnutá (obr. K). Uvolněte hrot vodící lišty a otočte regulátorem napnutí řetězu ve směru hodinových ručiček. Tento postup opakujte, dokud se průhyb nevyrovná.
9. Pevně utáhněte upínák bočního krytu, aby byl pilový řetěz před použitím správně napnutý.

Obr. J a L, následuje popis dílů:

J-1	Hnací články řetězu	L-2	Seřizovací čep napnutí
J-2	Drážka vodící lišty	L-3	Výřez vodící lišty
L-1	Vyrovňovací příruba	L-4	Řetězové kolo

POZNÁMKA: Chcete-li prodloužit životnost vodící lišty, občas ji obraťte.

POZNÁMKA: Pokud je řetěz příliš napnutý, nebude se otáčet. Povolte mírně upínák bočního krytu a otočte regulátorem napnutí jednou zprava doleva. Zdvihněte hrot vodící lišty a znovu pevně utáhněte upínák bočního krytu. Dbejte, aby se řetěz volně otáčel.

NASTAVENÍ NAPNUTÍ ŘETĚZU

- Před nastavením napnutí řetězu zastavte motor a vyjměte akumulátor. Zkontrolujte, zda je upínák bočního krytu povolený. Otočte regulátorem napnutí řetězu ve směru hodinových ručiček a řetěz napněte. Další informace viz část: „VÝMĚNA LIŠTY A ŘETĚZU“.
- Studený řetěz je správně napnutý, pokud není na spodní straně vodící lišty prověšený, přiléhá, ale lze jím volně otáčet rukou. Řetěz se musí znovu napnout vždy, když plošky hnacích článků nedosedají do drážky lišty.
- Při běžném provozu pily se teplota řetězu zvyšuje. Hnací články správně napnutého horkého řetězu budou viset přibližně 1,3 mm pod drážkou lišty (obr. M).

POZNÁMKA: Nové řetězy mají tendenci se natáhnout; napnutí řetězu pravidelně kontrolujte a podle potřeby napněte.

CZ

POZNÁMKA: Řetěz napnutý za horka může být po vychladnutí příliš napnutý. Před dalším použitím zkontrolujte napnutí za studena.

POUŽITÍ

VAROVÁNÍ: Dbejte, abyste se po seznámení s výrobkem nestali neopatrní. Nezapomínejte, že stačí chvíle nepozornosti a může se stát vážný úraz.

VAROVÁNÍ: Vždy používejte ochranu očí s bočními kryty. Pokud tak neučiníte, může dojít k vyvrstvení předmětu do očí, nebo případně jiným vážným úrazům.

VAROVÁNÍ: Nepoužívejte nástavce nebo příslušenství, které nedoporučuje výrobce tohoto výrobku. Použití nedoporučených nástavců a příslušenství může vést k vážnému úrazu.

VAROVÁNÍ: Pokud provádíte montáž dílů, úpravy, čištění, nebo foukač nepoužíváte, vždy vyjměte akumulátor, aby nedošlo k neúmyslnému spuštění, které může způsobit vážný úraz.

Před každým použitím zkontrolujte celý výrobek, zda není poškozen, nechybí nebo nejsou uvolněné žádné díly, jako např. vruty, matice, šrouby, uzávěry atd. Pevně utáhněte všechny upevňovací prvky a uzávěry a výrobek nepoužívejte, dokud se nevymění všechny chybějící nebo poškozené díly.

POUŽITÍ

Tento výrobek lze použít k základnímu kácení, odvětvování, prořezávání a řezání řeziva a stromů.

POZNÁMKA: Nářadí se smí používat pouze k vyhrazenému účelu. Jakékoliv jiné použití se považuje za nesprávné.

DOPLŇOVÁNÍ MAZIVA LIŠTY A ŘETĚZU

VAROVÁNÍ: V blízkosti oleje nebo řetězové pily nekuřte ani nerozdělávejte oheň. Olej se může rozlít a způsobit požár.

POZNÁMKA: Při nákupu v řetězové pile není olej. Před použitím je nezbytné naplnit nádrž olejem. Pila se při práci automaticky maže řetězovým olejem.

1. Položte řetězovou pilu na bok tak, aby uzávěr olejové nádrže směřoval k vám.
2. Vyčistěte uzávěr a také prostor okolo něj a otáčením proti směru hodinových ručiček jej odšroubujte (obr. N).
3. Opatrně nalijte speciální olej do nádrže až po spodní část hrdla filtru.
4. Setřete přebytečný olej a našroubujte uzávěr.

POZNÁMKA: Ve svislé poloze by měl olej zaplnit průhled. Pokud již v průzoru olej vidět není, okamžitě ukončete práci a olej doplňte.

INSTALACE/VYJMUTÍ AKUMULÁTORU

Před prvním použitím akumulátor nabijte.

Instalace (obr. O)

Srovnějte žebrování akumulátoru s instalačními drážkami a tlačte baterii dokud neuslyšíte „kliknutí“.

Vyjmutí (obr. P)

Stiskněte tlačítko pro uvolnění akumulátoru a vytáhněte jej.

SPUŠTĚNÍ/VYPNUTÍ ŘETĚZOVÉ PILY

POZNÁMKA: Před spuštěním řetězové pily zkontrolujte hladinu oleje, ostrost zubů pily a správně fungující rukojeť brzdy při zpětném rázu. Kromě toho je nezbytný vyvážený postoj a správná vzdálenost od země.

Spuštění

1. Zatáhněte rukojeť brzdy řetězu při zpětném rázu směrem k přední rukojeti do pracovní polohy (obr. G).
2. Oběma rukama pevně uchopte přední a zadní rukojeť.
3. Nejprve stiskněte pojistku, a pak spínačem spusťte pilu (obr. Q). Uvolněte pojistku a držte stlačený spínač a pokračujte v práci.

VAROVÁNÍ: Nepokoušejte se pilu spouštět, pokud je pilový řetěz v řezu.

Zastavení

1. Uvolněte spínač.
2. Zatažením rukojeti brzdy řetězu při zpětném rázu do brzdicí polohy aktivujete brzdu řetězu (obr. G).

VAROVÁNÍ: Při přestávce a po skončení práce vždy vyjměte akumulátor z řetězové pily.

Správný úchop rukojetí (obr. E)

- Pro dosažení maximální pevnosti úchopu a ochrany použijte protiskuzové rukavice.
- Na pevném a rovném povrchu držte pilu pevně oběma rukama.
- Vždy uchopte přední rukojeť levou rukou a zadní rukojeť pravou rukou.
- Prsty musí obepnout rukojeť s palcem sbaleným pod přední rukojetí.

VAROVÁNÍ: Nikdy nepoužívejte levoruký (překřížený) úchop nebo postoj, při kterém tělo nebo paže kříží dráhu řetězu (obr. R).

Správný postoj při řezání (obr. S)

- Obě chodila musí stát na pevné zemi s váhou rovnoměrně rozloženou.
- Levá paže musí být natažená se zafixovaným loktem. Pomáhá to odolávat silám generovaným zpětným rázem.
- Vaše tělo musí být vždy vlevo od dráhy řetězu.

POKYNY KE SPRÁVNÝM TECHNIKÁM PRO ZÁKLADNÍ KÁCENÍ, ODVĚTVOVÁNÍ A PROŘEZÁVÁNÍ

VAROVÁNÍ: Když je motor v chodu, vždy dbejte na pevný postoj a pevně držte řetězovou pilu oběma rukama.

VAROVÁNÍ: Pokud se pilový řetěz při řezání zastaví v důsledku sevření, uvolněte spínač; vyjměte pilový řetěz a vodící lištu ze dřeva, a pak řetězovou pilu restartujte.

VAROVÁNÍ: Netahejte za pilový řetěz rukou, pokud je zablokovaný pilinami. Hrozí riziko vážného úrazu, pokud se řetězová pila neúmyslně spustí. Zatlačte pilový řetěz proti dřevu a pohybujte řetězovou pilou tam a zpět, dokud se úlomky neuvolní. Před čistěním vždy vyjměte akumulátor. Při manipulaci s pilovým řetězem noste odolné ochranné rukavice.

VAROVÁNÍ: Nikdy řetězovou pilu nespouštějte, pokud je ve styku se dřevem. Než přiložíte řetězovou pilu ke dřevu, nechte ji roztočit na plné otáčky.

Kácení stromu

- Pokud rozřezávání a kácení provádí dvě a více osob současně, musí být kácení oddělené od rozřezávání vzdáleností aspoň dvojnásobku výšky káceného stromu. Stromy se nesmí kácet způsobem, který by ohrozil některou z osob, zasáhl síťové vedení nebo způsobil škodu na majetku. Pokud přijde strom do styku se síťovým vedením, je třeba okamžitě informovat provozovatele.
- Obsluha řetězové pily musí stát na vyvýšené straně, jelikož je pravděpodobné, že se strom svalí nebo sesune po skácení směrem ze svahu.
- Před začátkem kácení se musí naplánovat a vyčistit úniková cesta podle potřeby. Úniková cesta musí směřovat vzad a příčně k předpokládané dráze dopadu, jak je znázorněno na obr. T.
- Před začátkem kácení posuďte, kterým směrem strom spadne, a zohledněte přitom přirozený sklon stromu, umístění větších větví a směr větru.
- Ze stromu odstraňte nečistoty, kameny, uvolněnou kůru, hřebíky, sponky a dráty

Spodní zářez

Provedte zářez do 1/3 průměru stromu kolmo ke směru pádu, jak je znázorněno na obr. U. Nejprve provedte dolní vodorovný zářez. Pomůže vám to zabránit sevření pilového řetězu nebo vodící lišty při druhém zářezu.

Hlavní řez

- Hlavní řez provedte aspoň o 50 mm výše než vodorovný zářez, jak je znázorněno na obr. U. Dbejte, aby byly hlavní řez rovnoběžný s vodorovným zářezem. Hlavní řez vedte tak, aby zůstal dostatek dřeva, které může sloužit jako závěs. Dřevěný závěs zabraňuje stromu, aby se při pádu zkroutil špatným směrem. Neřežte přes závěs.

- Když se hlavní zářez dostane do blízkosti závěsu, měl by strom začít padat. Pokud existuje možnost, že by strom nemusel spadnout v požadovaném směru, nebo by se mohl zakymáčet a zaklínit pilový řetěz, zastavte řezání dřív, než je hlavní řez dokončen a k rozevření řezu a poražení stromu v požadovaném směru použijte dřevěné, plastové nebo hliníkové klíny.
- Jakmile začne strom padat, vyjměte řetězovou pilu z řezu, vypněte motor, položte řetězovou pilu a použijte plánovanou únikovou cestu. Dávejte pozor na padající vrchní větve a sledujte cestu.

Obr. T a U, následuje popis dílů:

T-1	Směr kácení	U-2	Zářez
T-2	Bezpečná úniková cesta	U-3	Hlavní řez
U-1	Směr pádu	U-4	Závěs

Odvětvování stromu

Odvětvování je odstraňování větví z padlého stromu. Při odvětvování ponechte větší spodní větve jako oporu kmene nad zemí. Malé větve odstraňte jedním řezem, jak je znázorněno na obr. V. Větve pod napětím by se měly řezat zdola nahoru, aby nedošlo k zaklínění řetězové pily.

Rozřezávání kmene

- Rozřezávání je řezání kmene do délek. Je třeba dbát, aby byl váš postoj pevný a váha rovnoměrně rozložena na obě nohy. Pokud lze, měl by být kmen zdvižený a podepřený s pomocí větví, kmenů nebo špalků. Dodržujte jednoduché pokyny pro snadné řezání.
- Když je strom podepřený po celé své délce, jak je znázorněno na obr. W 1, řeže se od vrcholu (řezání shora).
- Pokud je strom podepřený na jednom konci, jak je znázorněno na obr. W 2, nařízněte 1/3 průměru zespodu (řezání zdola). Pak proveďte závěrečný řez shora tak, aby se prořal s prvním řezem.
- Pokud je strom podepřený na obou koncích, jak je znázorněno na obr. W 3, nařízněte 1/3 průměru shora (řezání shora). Pak proveďte závěrečný řez z dolních 2/3 tak, aby se prořal s prvním řezem.
- Při rozřezávání ve svahu vždy stůjte na vyvýšené straně kmene, jak je znázorněno na obr. X.
- Abyste při „průřezu“ neztratili kontrolu, uvolněte před koncem řezný tlak, aniž byste uvolnili úchop rukojetí řetězové pily. Dbejte, aby se řetěz nedostal do styku se zemí. Než po dokončení řezu řetězovou pilu přesunete, počkejte, až se pilový řetěz zastaví. Před přesunem od jednoho stromu k druhému vždy vypněte motor.

ÚDRŽBA

VAROVÁNÍ: Při opravách používejte pouze originální náhradní díly. Použití jiných dílů může být rizikem nebo způsobit poškození výrobku.

VAROVÁNÍ: Při údržbě řetězové pily vždy používejte ochranné rukavice.

VAROVÁNÍ: Aby nedošlo k vážnému úrazu, vyjměte před kontrolou, čištěním nebo údržbou z řetězové pily akumulátor. Akumulátorové nářadí s vloženým akumulátorem je vždy zapnuté a může se neúmyslně spustit.

VAROVÁNÍ: Při čištění NEPONOŘUJTE řetězovou pilu do vody ani jiných kapalin.

VAROVÁNÍ: Dbejte, aby nikdy nedošlo ke styku plastových částí s brzdovými kapalinami, benzinem, ropnými produkty, penetračními oleji atd. Chemické látky mohou poškodit, zeslabit nebo poškodit plast, což může vést k vážnému úrazu.

ČIŠTĚNÍ

- Po každém použití odstraňte nečistoty z řetězu a vodící lišty měkkým kartáčem. Otřete povrch řetězové pily čistým hadrem navlhčeným ve slabém mýdlovém roztoku.
- Sejměte boční kryt, a pak použijte měkký kartáč k odstranění nečistot z vodící lišty, pilového řetězu, řetězového kola a bočního krytu.
- Při výměně pilového řetězu vždy odstraňte z drážky vodící lišty dřevěné štěpky, piliny a nečistoty.

VÝMĚNA LIŠTY A ŘETĚZU

VAROVÁNÍ: Nikdy se nedotýkejte ani nenastavujte řetěz, pokud je motor v chodu. Pilový řetěz je velmi ostrý.

POZNÁMKA: Při výměně vodící lišty a řetězu vždy použijte konkrétní kombinaci lišty a řetězu uvedenou v tomto návodu.

Demontujte opotřebovanou lištu a řetěz (obr. Y)

1. Vyjměte akumulátor, nechte pilu vychladnout a utáhněte uzávěr olejové nádrže.
2. Položte řetězovou pilu na bok tak, aby boční kryt směřoval vzhůru.
3. Použijte rukavice. Sejměte boční kryt otočením upínáku bočního krytu proti směru hodinových ručiček. Očistěte boční kryt suchým hadrem.

POZNÁMKA: To je ten správný čas, kdy zkontrolovat, zda není hnací řetězové kolo nadměrně opotřebované nebo poškozené.

Namontujte novou lištu a řetěz

Postupujte podle pokynů v části **MONTÁŽ/VÝMĚNA LIŠTY A ŘETĚZU** tohoto návodu.

Nastavte napnutí řetězu

Postupujte podle pokynů v části **NASTAVENÍ NAPNUTÍ ŘETĚZU** tohoto návodu.

ÚDRŽBA ŘETĚZU

VAROVÁNÍ: Při manipulaci s pilovým řetězem vždy používejte ochranné rukavice; tyto součásti jsou ostré a mohou obsahovat otřepy.

Na této pile používejte pouze řetězy se slabým zpětným rázem. Tato rychlořezná pila zajistí při správné údržbě redukci zpětného rázu.

Správně nabroušený pilový řetěz řeže dřevem bez námahy, a to i s malým tlakem.

Nikdy nepoužívejte tupý nebo poškozený pilový řetěz. Tupý řezací zub pilového řetězu vede ke zvýšenému fyzickému namáhání, zvýšenému zatížení vibracemi, neuspokojivým výsledkům řezání a zvýšenému opotřebení.

Pro plynulé a rychlé řezání se musí řetěz řádně udržovat. Řetěz se musí nabrousit, když jsou dřevěné štěpky příliš malé a prachové, když se řetěz musí při řezání dřevem protlačit nebo když řetěz řeže jednou stranou. Při údržbě vašeho řetězu dbejte na následující:

- Nesprávný úhel pilování boční plošky může zvýšit riziko prudkého zpětného rázu.
- Vzdálenost omezovací patky (omezovacího zubu). Příliš nízká zvyšuje riziko zpětného rázu. Pokud není dostatečně nízká, omezuje schopnost řezat.
- Pokud řezací zuby narazily do tvrdého tělesa, jako např. hřebíku, kamene nebo se obrousily o bláto nebo písek na dřevě, nechejte řetěz nabrousit kvalifikovaným servisním technikem.

POZNÁMKA: Při výměně řetězu zkontrolujte, zda není hnací řetězové kolo opotřebené nebo poškozené. Pokud jsou v označených oblastech patrné známky opotřebení nebo poškození, nechejte řetězové kolo vyměnit kvalifikovaným servisním technikem.

ÚDRŽBA VODICÍ LIŠTY

Pokud jsou na vodící liště patrné známky opotřebení, v pile ji obraťte, aby se rozložilo opotřebení a dosáhli jste tak maximální životnosti lišty. Lištu čistěte každý den, kdy se používá, a kontrolujte její opotřebení a poškození. Zkosení nebo otřepy vodících lišt jsou běžným procesem opotřebení lišty. Tyto závady odstraňte pilníkem, jakmile se objeví. Lištu, u které se projeví jedna z následujících poruch, musíte vyměnit.

- Opotřebení uvnitř vodících lišt, které umožňuje řetězu posun do boku.
- Ohnutá lišta.
- Prasklé nebo zlomené lišty.
- roztažené lišty.

Vodící lišta má dále na hrotu řetězové kole (obr. A-20). Řetězové kolo se musí jednou týdně mazat mazací stříkačkou, aby se prodloužila životnost vodící lišty. Jednou týdně použijte mazací stříkačku k mazání řetězovým olejem s pomocí mazacího otvoru (obr. A-19). Otočte vodící lištu a zkontrolujte, zda jsou mazací otvory a drážka řetězu čisté.

PŘEPRAVA A SKLADOVÁNÍ

- Řetězovou pilu nepřepravujte ani neskladujte, když je motor v chodu. Před uskladněním nebo přepravou vždy vyjměte akumulátor.
- Před uskladněním nebo přepravou řetězové pily vždy nasadte na vodící lištu a řetěz kryt. Dávejte pozor na ostré zuby řetězu.
- Před uskladněním řetězovou pilu řádně vyčistěte. Řetězovou pilu skladujte v interiéru, na suchém místě, které je zamknuté anebo je mimo dosah dětí.
- Uchovávejte ji v bezpečné vzdálenosti od korozivních látek, jako jsou chemické látky a rozmrazovací soli.

Ochrana životního prostředí



Elektrické zařízení, nabíječku a baterie/nabíjecí baterie nevhazujte do domovního odpadu!

Podle směrnice Evropského parlamentu a Rady 2012/19/EU se musí odpadní elektrická a elektronická zařízení a podle směrnice 2006/66/ES vadné nebo použité akumulátory/baterie sbírat odděleně.

Pokud se elektrická zařízení likvidují na zavážkách nebo skládkách, mohou do podzemní vody prosáknout nebezpečné látky, dostat se do potravního řetězce a poškodit tak vaše zdraví a zdravotní stav.



ES PROHLÁŠENÍ O SHODĚ

My, společnost CHERVON EUROPE LTD.
47 CASTLE STREET, READING, RG1 7SR, UNITED
KINGDOM

Prohlašujeme, že výrobek **56V lithium-iontová
akumulátorová řetězová pila CS1400E/CS1600E** splňuje
základní požadavky na ochranu zdraví a bezpečnost
následujících směrnic:

2006/42/ES, 2004/108/ES, 2011/65/EU, 2000/14/ES

Normy a technické specifikace vychází z:

EN 60745-1, EN 60745-2-13, EN 55014-1, EN 55014-2

	CS1400E	CS1600E
Měřená hladina akustického výkonu:	96,73 dB(A)	96,4 dB(A)
Zaručená úroveň akustického výkonu:	100 dB(A)	99 dB(A)

Peter Melrose
Viceprezident společnosti
Chervon Europe

Dong Jianxun
Manažer kvality společnosti
Chervon

* (Pověřený zástupce společnosti CHERVON odpovědný za technickou dokumentaci)

01/01/2016

Navn, adresse og identifikasjonsnummer til varslet myndighet:

TÜV Rheinland LGA Products GmbH; Tillystr. 2 D - 90431
Nürnberg, Germany; 0197.

Nummer på EU-type undersøkelsessertifikat:

BM 50326004 0001 (CS1600E)

BM 50296271 0001 (CS1400E)

CZ

ODSTRAŇOVÁNÍ PROBLÉMŮ

VAROVÁNÍ: Při údržbě pilového řetězu vždy chraňte ruce s pomocí pevných rukavic. Při servisu nebo přepravě řetězové pily vždy vyjměte akumulátor.

PROBLÉM	PŘÍČINA	ŘEŠENÍ
Motor neběží	<ul style="list-style-type: none"> ■ K řetězové pile není připojen akumulátor. ■ Bez elektrického kontaktu mezi pilou a akumulátorem. ■ Akumulátor je vybitý. ■ Akumulátor nebo řetězová pila jsou příliš horké. ■ Před stlačením spínače jste nestiskli pojistku. ■ Je aktivní brzda řetězu. ■ Řetězová pila se zablokovala ve dřevě. ■ Nečistoty v drážce lišty. ■ Nečistoty v bočním krytu. 	<ul style="list-style-type: none"> ■ Nasadte akumulátor na řetězovou pilu. ■ Vyměňte akumulátor, zkontrolujte póly a znovu jej nainstalujte. ■ Nabijte akumulátor. ■ Nechejte akumulátor nebo řetězovou sekačku zchladnout, dokud teplota neklesne pod 67 °C. ■ Stiskněte pojistku, držte ji a stiskněte spínač pro zapnutí řetězové pily. ■ Zatáhněte rukojeť brzdy řetězu při zpětném rázu zpět směrem k přední rukojeti. ■ Uvolněte spínač; vyjměte pilový řetěz a vodící lištu ze dřeva, a pak řetězovou pilu restartujte. ■ Zatlačte pilový řetěz proti dřevu a pohybujte řetězovou pilou tam a zpět, dokud se úlomky neuvolní. ■ Vyměňte akumulátor, sejměte boční kryt a odstraňte nečistoty.
Motor běží, ale řetěz se netočí	<ul style="list-style-type: none"> ■ Řetěz není nasazený na hnacím řetězovém kole. 	<ul style="list-style-type: none"> ■ Řetěz znovu nainstalujte a dbejte, aby hnací články řetězu plně dosedly na řetězové kolo.
Brzda řetězu se neaktivuje	<ul style="list-style-type: none"> ■ Nečistoty brání úplnému pohybu rukojeti brzdy řetězu při zpětném rázu. ■ Možné poruchy brzdy řetězu 	<ul style="list-style-type: none"> ■ Odstraňte nečistoty z externího mechanismu brzdy řetězu. ■ Kontaktujte zákaznický servis společnosti EGO.

PROBLÉM	PŘÍČINA	ŘEŠENÍ
Řetězová pila neřeže správně	<ul style="list-style-type: none"> ■ Nedostatečně napnutý řetěz. ■ Tupý řetěz. ■ Obráceně instalovaný řetěz. ■ Opotřebený řetěz. ■ Suchý nebo příliš napnutý řetěz. ■ Řetěz mimo drážku lišty. 	<ul style="list-style-type: none"> ■ Znovu nastavte napnutí řetězu podle pokynů v části: „NASTAVENÍ NAPNUTÍ ŘETĚZU“. ■ Nabruste řezací zuby řetězu podle pokynů v části: „JAK NABROUSIT ŘEZACÍ ZUBY“. ■ Řetěz znovu nainstalujte podle pokynů v části: „VÝMĚNA LIŠTY A ŘETĚZU“. ■ Řetěz vyměňte podle pokynů v části: „VÝMĚNA LIŠTY A ŘETĚZU“. ■ Zkontrolujte hladinu oleje. V případě potřeby olejovou nádrž doplňte. ■ Řetěz znovu nainstalujte podle pokynů v části: „VÝMĚNA LIŠTY A ŘETĚZU“.
Lišta a řetěz se zahřívají a kouří se z nich	<ul style="list-style-type: none"> ■ Zkontrolujte, zda není řetěz příliš napnutý ■ Zkontrolujte, zda není prázdná olejová nádrž. ■ Nečistoty v drážce vodící lišty. 	<ul style="list-style-type: none"> ■ Znovu napněte pilový řetěz; viz pokyny v části: „NASTAVENÍ NAPNUTÍ ŘETĚZU“. ■ Doplnění maziva lišty a řetězu. ■ Odstraňte nečistoty z drážky.

ZÁRUKA

ZÁRUKA SPOLEČNOSTI EGO

Úplné záruční podmínky společnosti EGO naleznete na webové stránce egopowerplus.com.

CZ

PREČÍTAJTE SI VŠETKY POKYNY!



**PREČÍTAŤ SI & POCHOPIŤ
NÁVOD NA OBSLUHU**

⚠ Zvyškové riziko! Ľudia s elektrickými zariadeniami, napríklad kardiostimulátorom, musia používanie tohto výrobku konzultovať so svojim lekárom/lekármi. Používanie elektrického zariadenia v tesnej blízkosti kardiostimulátora by mohlo spôsobiť jeho rušenie alebo zlyhanie.

⚠ VAROVANIE: Pre zaistenie bezpečnosti a spoľahlivosti by mal všetky opravy a výmeny vykonávať len kvalifikovaný servisný technik.

BEZPEČNOSTNÉ SYMBOLY

Účelom bezpečnostných symbolov je upozorniť na možné nebezpečenstvá. Je nevyhnutné, aby ste si našťudovali a pochopili bezpečnostné symboly a vysvetlenia k nim. Samotné výstražné symboly neodstraňujú možné nebezpečenstvá. Pokyny a varovania, ktoré poskytujú, nie sú náhradou vhodných opatrení na prevenciu úrazov.

⚠ VAROVANIE: Uistite sa, že ste si pred použitím tohto výrobku prečítali a pochopili všetky bezpečnostné pokyny uvedené v návode na obsluhu, vrátane všetkých bezpečnostných výstražných symbolov, ako sú „NEBEZPEČENSTVO“, „VAROVANIE“ A „VÝSTRAHA“. Nedodržanie nižšie uvedených pokynov môže spôsobiť úraz elektrickým prúdom, požiar a/alebo vážne zranenie.

VÝZNAM SYMBOLU

BEZPEČNOSTNÝ VÝSTRAŽNÝ SYMBOL: Označuje **NEBEZPEČENSTVO**, **VAROVANIE**, alebo **VÝSTRAHU**. Môže byť použitý v spojení s inými symbolmi alebo piktogramami.

⚠ VAROVANIE: Používanie akékoľvek elektrického náradia môže spôsobiť vniknutie cudzích predmetov do očí, čo môže mať za následok vážne poškodenie zraku. Pred spustením elektrického náradia do prevádzky si vždy nasadte bežné ochranné okuliare alebo ochranné okuliare s postrannými krytmi a, v prípade potreby, celo-tvárový štít. Na okuliare alebo štandardné bezpečnostné okuliare s postrannými krytmi odporúčame použiť bezpečnostnú masku Wide Vision.

BEZPEČNOSTNÉ POKYNY

Na tejto strane sú uvedené a popísané bezpečnostné symboly, ktoré sa nachádzajú na výrobku. Predtým, než budete montovať a používať stroj, si prečítajte všetky pokyny, snažte sa im porozumieť a postupujte podľa nich.

	Bezpečnostná výstraha	Upozorňuje na potenciálne nebezpečenstvo úrazu.
	Prečítajte si návod na obsluhu	Používateľ si musí prečítať návod na obsluhu, aby znížil riziko úrazu.
	Používajte ochranné okuliare	Pri používaní výrobku si vždy nasadte bežné ochranné okuliare alebo ochranné okuliare s postrannými krytmi a celo-tvárový štít.
	Používajte ochranu sluchu	Pri používaní tohto výrobku vždy používajte ochranu sluchu.
	Používajte ochranu hlavy	Používajte schválenú bezpečnostnú prilbu na ochranu hlavy.
	Používajte ochranné rukavice	Pri manipulácii s pilou a reťazou si chráňte ruky rukavicami. Pevné a protišmykové rukavice zlepšujú uchopenie a chránia ruky.
	Vodiaca lišta	Informácie o vodiacej lište.
	Nebezpečenstvo spätného nárazu	Snažte sa predchádzať kontaktu špičky vodiacej lišty s akýmkoľvek predmetom
	Spätný náraz špičky vodiacej lišty	Kontakt so špičkou môže spôsobiť rýchly pohyb vodiacej lišty smerom hore a dozadu, čo môže mať za následok vážny úraz.
	Uchopenie dvoma rukami	Pri práci s motorovou pilou používajte vždy obe ruky
	Chráňte pred dažďom	Pílu nepoužívajte v daždi, ani ju nenechávajte vonku počas dažďa.
	CE	Dette produktet er i samsvar med de gjeldende EU-direktivene.
	Hluk	Garantert lydeffektiv. Støytuslipp til miljøet i henhold til EU-direktiv.

SK

	WEEE	Elektrisk avfall skal ikke kastes sammen med husholdningsavfallet. Ta det med til autorisert resirkuleringsanlegg.
V	Volt	Napätie
A	Ampér	Prúd
Hz	Hertz	Frekvencia (cykly za sekundu)
W	Watt	Výkon
min	Minúty	Čas
	Striedavý prúd	Typ prúdu
	Jednosmerný prúd	Typu alebo charakteristika prúdu
n_0	Rýchlosť bez záťaže	Rýchlosť otáčania bez záťaže
.../min	Za minútu	Otáčky za minútu

VŠEOBECNÉ BEZPEČNOSTNÉ UPOZORNENIE PRE ELEKTRICKÉ NÁRADIE

VAROVANIE: Prečítajte si všetky bezpečnostné varovania a pokyny. Nedodržanie uvedených varovaní a pokynov môže spôsobiť úraz elektrickým prúdom, požiar a/alebo vážne zranenie.

Uchovajte všetky varovania a pokyny pre budúce použitie.

Výraz „elektrické náradie“ vo všetkých varovaniach odkazuje na náradie napájané zo siete (káblom) alebo náradie napájané batériou (bez kábla), ktoré ste si zaobstarali.

SK

BEZPEČNOSŤ PRACOVNÉHO PRIESTORU

- Pracovný priestor udrzte čistý a dobre osvetlený. Neporiadok alebo tmavé priestory môžu viesť k úrazom.
- Nepoužívajte elektrické náradie v prostredí s výbušnou atmosférou, napríklad v prítomnosti horľavých kvapalín, benzínu alebo prachu. Elektrické náradie je zdrojom iskrenia, ktoré môže zapáliť prach alebo výpary.
- Počas používania náradia udrzte deti a iné osoby v dostatočnej vzdialenosti. Rozptýlenie môže spôsobiť stratu kontroly.

ELEKTRICKÁ BEZPEČNOSŤ

- Zástrčky napájacieho kábla náradia sa musia zhodovať so zásuvkou. Nikdy zástrčku žiadnym spôsobom neupravujte. Nepoužívajte adaptér na zástrčku s uzemnenými elektrickými zariadeniami. Neupravené zástrčky a zodpovedajúce zásuvky znižujú riziko vzniku úrazu elektrickým prúdom.
- Zabráňte kontaktu tela s uzemnenými povrchmi, ako sú napríklad potrubia, radiátory, sporáky a chladničky. Ak je vaše telo uzemnené, zvyšuje sa riziko úrazu elektrickým prúdom.
- Chráňte elektrické náradie pred dažďom a vlhkým prostredím. Vniknutiu vody do elektrického náradia zvyšuje riziko úrazu elektrickým prúdom.
- Používajte kábel správne. Nepoužívajte ho na prenášanie, ťahanie alebo odpájanie elektrického náradia. Chráňte kábel pred teplom, olejom, ostrými hranami a pohyblivými časťami. Poškodené alebo spletené káble zvyšujú riziko úrazu elektrickým prúdom.
- Pri práci s náradím vonku používajte predlžovací kábel určený na vonkajšie použitie. Používanie kábla určeného na vonkajšie použitie znižuje riziko úrazu elektrickým prúdom.
- Pri práci s elektrickým náradím vo vlhkom prostredí použite prúdový chránič. Použitie prúdového chrániča znižuje riziko úrazu elektrickým prúdom.

OSOBNÁ OCHRANA

- Pri práci s elektrickým náradím buďte pozorní, sledujte, čo robíte a používajte zdravý rozum. Nepoužívajte elektrické náradie, ak ste unavení alebo pod vplyvom drog, alkoholu alebo liekov. Chvilka nepozornosti pri práci s náradím môže viesť k vážnemu úrazu.
- Používajte osobné ochranné pomôcky. Používajte ochranné okuliare. Ochranné prostriedky ako respirátor, protišmyková bezpečnostná obuv, pevná prilba alebo ochrana sluchu používané v príslušných podmienkach znižujú riziko úrazu osôb.
- Zabráňte náhodnému spusteniu zariadenia. Pred pripojením k zdroju elektrickej energie a/alebo akumulátoru, zdvíhaním alebo prenášaním zariadenia sa uistite, že je vypínač v polohe vypnuté. Prenášanie elektrického náradia s prstom na vypínači alebo aktivácia elektrického náradia, ktorý má zapnutý vypínač môže viesť k úrazu.
- Pred spustením náradia vždy odstráňte nastavovací klin alebo kľúč. Kľúč alebo klin, ktorý necháte pripavený k otáčajúcej sa časti elektrického náradia, môže spôsobiť zranenie osôb.
- Nepreceňujte svoje sily. Vždy udrzte stabilný postoj a rovnováhu. To umožňuje lepšiu ovládateľnosť náradia v nečakaných situáciách.

- **Vhodne sa obliekajte. Nenoste voľné oblečenie alebo šperky. Dávajte pozor, aby boli vaše vlasy, oblečenie a rukavice mimo dosahu pohyblivých častí.** Voľné odevy, šperky alebo dlhé vlasy môžu zachytiť pohybujúce sa časti.
- **Pokiaľ je zariadenie vybavené na to, aby sa k nemu mohli pripojiť prístroje na odsávanie prachu a zberné zariadenia, zaistite ich správne pripojenie a správne použitie.** Použitie zariadení na odsávanie prachu môže znížiť riziká s ním spojené.

POUŽITIE ELEKTRICKÉHO NÁRADIA A STAROSTLIVOSŤ

- **Netlačte na elektrické náradie silou. Používajte správny typ náradia určený na danú prácu.** Náradie bude pracovať lepšie a bezpečnejšie pri rýchlosti, na ktorú bolo navrhnuté.
- **Nepoužívajte elektrické náradie, ak sa nedá zapnúť a vypnúť použitím vypínača.** Každé elektrické náradie, ktorý nemožno ovládať vypínačom, je nebezpečné a musí sa opraviť.
- **Odpojte zástrčku od elektrickej siete a/alebo akumulátor z elektrického náradia pred zmenou nastavenia, výmenou príslušenstva alebo uskladnením elektrického náradia.** Tieto preventívne bezpečnostné opatrenia znižujú riziko náhodného spustenia náradia.
- **Uložte elektrické náradie mimo dosahu detí a nedovoľte ostatným osobám, ktoré nie sú oboznámené so zariadením alebo týmto návodom, aby ho používali.** Elektrické náradie je nebezpečné, ak ho používajú neskúsené osoby.
- **Udržujte náradie v dobrom stave. Skontrolujte vychýlenie alebo spoje pohyblivých častí, poškodenie jednotlivých dielov a iné okolnosti, ktoré môžu ovplyvniť chod náradia.** V prípade poškodenia si nechajte elektrické náradie pred použitím opraviť. Nedostatočná údržba má za následok veľa nehôd.
- **Rezné nástroje udržiavajte ostré a čisté.** Riadne udržiavané rezné nástroje s ostrými reznými hranami sú menej náchylné na zablokovanie a lepšie sa ovládajú.
- **Používajte elektrické náradie, príslušenstvo, vsadené doštičky, atď. v súlade s týmito pokynmi, s prihliadnutím na pracovné podmienky a prácu, ktorá má byť vykonaná.** Používanie elektrického náradia na iné účely, ako je určené, môže viesť k nebezpečným situáciám.

POUŽITIE BATÉRIE A STAROSTLIVOSŤ

- **Nabíjajte iba pomocou nabíjačky odporúčanej výrobcom.** Nabíjačka, ktorá je vhodná pre jeden typ akumulátora, môže spôsobiť vznik požiaru pri použití s iným akumulátorom.

- **Používajte elektrické náradie iba s akumulátormi na to výlučne určenými.** Použitie iných typov akumulátorov môže spôsobiť riziko úrazu a požiaru.
- **Pokiaľ akumulátor nepoužívate, uschovávajte ho mimo dosahu kovových predmetov, ako sú kancelárske sponky na papier, mince, kľúče, klince, skrutky alebo iné drobné kovové predmety, ktoré môžu vytvoriť spojenie medzi dvomi svorkami.** Skrat medzi svorkami akumulátora môže spôsobiť popálenie alebo požiar.
- **V nevhodných podmienkach môže z akumulátora vytekať tekutina; vyhňte sa kontaktu s ňou.** Pri náhodnom kontakte opláchnite dané miesto vodou. Pri zasiahnutí očí vyhľadajte lekársku pomoc. Unikajúca kvapalina z batérie môže spôsobiť podráždenie alebo popáleniny.

ÚDRŽBA

- **Náradie zverte do opravy kvalifikovanej osobe, ktorá použije iba originálne náhradné diely.** To zabezpečí zachovanie bezpečnosti elektrického náradia.

BEZPEČNOSTNÉ UPOZORNENIA PRE REŤAZOVÉ PÍLY

- **Vyhýbajte sa kontaktu častí tela s reťazou píly počas jej používania.** Pred zapnutím reťazovej píly sa uistite, že sa reťaz ničoho nedotýka. Chvilka nepozornosti pri práci s reťazovou pilou môže spôsobiť zachytenie oblečenia alebo častí tela do reťaze.
- **Vždy držte reťazovú pílu pravou rukou na zadnej rukoväti a ľavou rukou na prednej rukoväti.** Ak držite pílu s rukami uloženými naopak, zvyšuje to riziko úrazu. Vyvarujte sa toho.
- **Elektrické náradie držte iba za izolované povrchy určené na uchytienie, pretože reťaz píly môže prísť do kontaktu so skrytým el. vedením.** Reťaz píly, ktorá prišla do kontaktu s vedením pod elektrickým prúdom, môže nabiť kovové časti elektrického náradia a spôsobiť používateľovi úraz elektrickým prúdom.
- **Používajte ochranné okuliare a ochranu sluchu.** Odporúča sa používať ďalšie ochranné pomôcky hlavy, rúk, nôh a chodidiel. Vhodný ochranný odev znižuje možnosť zranenia spôsobeného odletujúcimi úlomkami alebo náhodným kontaktom s reťazou píly.
- **Nepoužívajte reťazovú pílu na strome.** Používanie reťazovej píly na strome môže viesť k úrazu osôb.
- **Vždy udržiavajte správny postoj a používajte reťazovú pílu len vtedy, keď stojíte na pevnom, bezpečnom a rovnom povrchu.** Šmyklavé alebo nestabilné povrchy, ako sú rebriky, môžu spôsobiť stratu rovnováhy alebo kontroly nad reťazovou pilou.

SK

- Pri rezaní konára, v ktorom je napätie, dávajte pozor na spätný náraz. Po uvoľnení napätia vo vláknach dreva, môže napnutá vetva zasiahnuť používateľa a/alebo dostať reťazovú pílu mimo kontroly.
- Pri rezaní krov a mladých stromčekov buďte mimoriadne opatrní. Reťazová píla môže zachytiť drobný materiál a vymrštiť ho smerom k vám alebo vás vyviešť z rovnováhy.
- Držte vypnutú reťazovú pílu za prednú ruku a ďaleko od tela. Pri preprave alebo skladovaní reťazovej píly vždy nasadte kryt vodiacej lišty. Správna manipulácia s reťazovou pilou zníži pravdepodobnosť náhodného kontaktu s točiacou sa reťazou píly.
- Dodržujte pokyny pre mazanie, napnutie reťaze a výmenu príslušenstva. Nesprávne napnutá alebo namazaná reťaz sa môže pretrhnúť alebo zvýšiť riziko spätného nárazu.
- Udržujte rukoväť suchú, čistú, bez oleja a mastnoty. Mastné, naolejované rukoväte sú klzké a môžu spôsobiť stratu kontroly.
- Používajte iba na pílenie dreva. Nepoužívajte reťazovú pílu na účely, na ktoré nie je určená. Napríklad nepoužívajte reťazovú pílu na pílenie plastu, muriva alebo stavebných materiálov, ktoré nie sú z dreva. Používanie reťazovej píly na iné účely, ako je určené, môže viesť k nebezpečným situáciám.

PRÍČINY A PREVENIA SPÄTNÉHO NÁRAZU (obr. B, C, D a E)

Spätný ráz môže nastať, keď sa hrot alebo špička vodiacej lišty dotkne predmetu, alebo ak drevo obklopí a zabrzdí reťazovú pílu v reze.

Kontakt špičky môže v niektorých prípadoch spôsobiť náhlu spätnú reakciu, ktorá vymršti vodiacu lištu smerom hore a späť k používateľovi (obr. B).

Zovretie reťaze píly pozdĺž hornej časti vodiacej lišty, môže zatlačiť vodiacu lištu rýchlo späť smerom k užívateľovi (obr. C).

Obr. B a C pozri nižšie popis činnosti:

B-1	Rotačný spätný náraz
C-1	Lineárny spätný náraz

SK

Každá z týchto reakcií môže spôsobiť stratu kontroly nad pilou, ktorá môže mať za následok vážne zranenie osôb. Nespoliehajte sa výlučne na bezpečnostné prvky zabudované v konštrukcii píly.

Ako používateľ reťazovej píly by ste mali prijať niekoľko opatrení s cieľom znížiť počet nehôd alebo zranení počas pílenia.

Spätný náraz je výsledkom nesprávneho použitia nástroja a/alebo nesprávnych pracovných postupov, alebo podmienok a dá sa mu predísť aplikáciou nižšie uvedených opatrení:

- Pílu pevne držte s palcami a prstami obopínajúcimi rukoväť, s oboma rukami na pile a s telom a rukami umiestnenými tak, aby dokázali odolávať silám spätného nárazu (pozri obr. E). Sily spätného nárazu môže používateľ ovládať pri použití príslušných bezpečnostných opatrení. Nepúšťajte reťazovú pílu.
- Neprečunujte svoje sily a nepíľte nad úrovňou ramien. To pomáha zabrániť nechcenému kontaktu špičky a umožňuje lepšiu kontrolu nad reťazovou pilou v nečakaných situáciách.
- Používajte iba náhradné lišty a reťaze odporúčané výrobcom. Nevhodné náhradné lišty a reťaze môžu spôsobiť pretrhnutie reťaze a/alebo spätný náraz.
- Pri ostrení a údržbe reťazovej píly postupujte podľa pokynov výrobcu. Zníženie výšky hĺbkomeru môže zväčšiť spätný náraz.
- Uistite sa, že v oblasti, v ktorej budete píliť, sa nenachádzajú prekážky. Zabráňte kontaktu hrotu vodiacej lišty s kmeňom, vetvami, plotom alebo inou prekážkou, ktorá by mohla spôsobiť náraz počas pílenia.
- Vždy píľte so zariadením, ktoré pracuje v plnej rýchlosti. Úplne stlačte spúšťač a udržiavajte rýchlosť pílenia.
- Ak máte základné vedomosti o spätnom náraze, dokážete znížiť alebo eliminovať moment prekvapenia. K nehodám prispieva i moment náhleho prekvapenia.
- Vždy udržiavajte stabilný postoj a rovnováhu.
- Zatlačiť a zatiahnuť - Pri kontakte sila reakcie smeruje vždy proti smeru pohybu reťaze. Preto musí byť používateľ pripravený ovládať ZATIAHNUTIE pri pílení spodnou hranou lišty a ZATLAČENIE pri pílení hornou hranou (obr. F).

BEZPEČNOSTNÉ ZARIADENIA NA OCHRANU PRED SPÄTNÝM NÁRAZOM NA DANEJ REŤAZOVEJ PILE

Brzda reťaze

Reťazová píla je vybavená brzdou reťaze, ktorá zastaví motor i pohyb reťaze, keď príde k spätnému nárazu. Brzdu reťaze možno aktivovať pomocou pohybu rukoväte brzdy spätného nárazu dopredu, keďže sa píla počas spätného nárazu odrazí smerom dozadu. Tiež sa môže aktivovať zotrvačnými silami vytvorenými rýchlym potiahnutím dozadu.

VAROVANIE: Nikdy sa nepokúšajte upraviť alebo odstaviť brzdou reťaze.

Pred použitím reťazovej píly sa uistite, že brzda reťaze funguje správne. Rukoväť brzdy spätného nárazu reťaze by sa mala jednoducho pohybovať dozadu a dopredu.

Ak chcete vyskúšať funkciu brzdy reťaze, vykonajte nasledujúce kroky (obr. G.):

- Postavte reťazovú pílu na rovný čistý povrch a uistite sa, že v bezprostrednej blízkosti nie sú žiadne predmety alebo prekážky, ktoré by mohli prísť do styku s lištou a reťazou.
- Uvoľnite brzdú reťaze potiahnutím rukoväte brzdy spätného nárazu reťaze smerom k prednej rukoväti.
- Spustite reťazovú pílu.
- Zatlačte rukoväť brzdy spätného nárazu reťaze smerom k prednej časti píly. Dobre fungujúca ručná brzda okamžite zastaví pohyb reťaze. V prípade, že brzda reťaze nefunguje správne, pílu nepoužívajte, kým ju neopraví kvalifikovaný servisný technik.

Obr. G pozri nižšie popis činnosti:

G-1	Rukoväť brzdy spätného nárazu reťaze v prevádzkovej polohe
G-2	Rukoväť brzdy spätného nárazu reťaze v zabrzdenej polohe

VAROVANIE: Pred každým použitím sa uistite, že brzda reťaze funguje správne.

VAROVANIE: Ak je brzda reťaze upchatá drevnou štiepkou, môže sa zhoršiť jej funkcia. Zariadenie udržiavajte stále čisté.

Nizky spätný náraz reťazovej píly

Podpery (hlbkometry) pred každým rezom môžu minimalizovať silu spätného nárazu tým, že zabránia píleniu príliš hlboko v oblasti spätného nárazu. Používajte náhradnú reťaz, ktorá je ekvivalentom k originálnej reťazi alebo je certifikovaná.

VÝSTRAHA: Keďže sa reťazové píly počas ich životnosti ostria, strácajú niektoré z vlastností nízkeho spätného nárazu a preto im treba venovať výnimočnú pozornosť.

ĎALŠIE UPOZORNENIA

- **Reťazová píla je určená pre obojručné používanie.** Ovládanie len jednou rukou môže mať za následok vážne zranenie obsluhy, pomocníkov a/alebo okolitých osôb.
- **Zabráňte nechcenému kontaktu s vypnutou reťazou píly alebo kofajnicami vodiacej lišty.** Môžu byť veľmi ostré. Pri manipulácii s reťazovou pílou, reťazou píly alebo vodiacou lištou vždy používajte rukavice a dlhé nohavice alebo kožené chrániče nohavíc.
- **Nikdy nepoužívajte reťazovú pílu, ktorá je poškodená alebo nesprávne nastavená, alebo ak nie je úplne a bezpečne nainštalovaná.** Uistite sa, že po uvoľnení spúšťača sa reťaz zastaví.

- **Skontrolujte kus určený na pílenie, či sa na ňom nenachádzajú kince, drôty alebo iné cudzie predmety.**
- **Ak nie je rovný, pred pílením ho pevne pripevnite.** Pri stínaní alebo prerezávaní identifikujte a zabezpečte nebezpečné vetvy.
- **Agresívne alebo násilné pílenie alebo nesprávne používanie reťazovej píly môže spôsobiť predčasné opotrebenie lišty, reťaze a/alebo ozubeného kolesa, ako aj roztrhnutie reťaze alebo poškodenie lišty, čo môže viesť k spätnému nárazu, vymršteniu reťaze alebo materiálu.**
- **Nikdy nepoužívajte vodiacu lištu ako páku.** Ohnutá vodiaca lišta môže spôsobiť predčasné opotrebenie lišty, reťaze a/alebo ozubeného kolesa, ako aj roztrhnutie reťaze alebo poškodenie lišty, čo môže viesť spätnému nárazu, vymršteniu reťaze alebo materiálu.
- **Pilte iba jeden kus naraz.**
- **Používajte výlučne akumulátory a nabíjačky značky EGO.**

BATÉRIA	NABÍJAČKA
BA1120E, BA2240E, BA2800, BA3360, BA4200	CH5500E, CH2100E

- **Nedobíjajte akumulátor v daždi alebo vo vlhkom prostredí.**
- **Naplánujte si prácu, zabezpečte pracovný priestor bez prekážok a, v prípade stínaní, aspoň jednu únikovú cestu od padajúceho stromu.**
- **Pri stínaní udržiavajte okolo stojace osoby vo vzdialenosti aspoň dvoch dĺžok stromu.**
- **Ak sa vyskytnú situácie, ktoré nie sú zahrnuté v tomto návode, pristupujte k nim s opatnosťou a správnym úsudkom. Pre ďalšie rady kontaktujte zákaznický servis EGO.**

VODIACA LIŠTA

Táto píla je vybavená vodiacou lištou, ktorá má hrot s malým polomerom. Hroty s malým polomerom majú vo všeobecnosti menší potenciál pre spätný náraz. Pri výmene vodiacej lišty sa uistite, že objednáte lištu uvedenú v tomto návode.

SK

TIETO POKYNY USCHOVAJTE.

TECHNICKÉ ÚDAJE

Model	CS1400E	CS1600E
Napätie	56 V ---	56 V ---
Dĺžka vodiacej lišty	350 mm	400 mm
Výška reťaze	9,5 mm	9,5 mm

Meradlo lišty	1,1 mm	1,1 mm
Typ reťaze pily	90PX052X (Oregon)	90PX052X (Oregon) 90PX056X (Oregon)
Typ vodiacej lišty	144MLEA041 (Oregon)	144MLEA041 (Oregon) 164MLEA041 (Oregon)
Objem olejovej nádrže reťaze	150 ml	150 ml
Hmotnosť kosačky (bez akumulátora, krytu reťaze)	3,81 Kg	3,86 Kg
Nameraná hladina akustického výkonu L_{WA}	96,73 dB(A) $K_{WA}=2,5$ dB(A)	96,4 dB(A) $K_{WA}=2,5$ dB(A)
Hladina akustického tlaku na uši obsluhy L_{PA}	85,73 dB(A) $K_{PA}=2,5$ dB(A)	85,4 dB(A) $K_{PA}=2,5$ dB(A)
Garantovaná hladina akustického výkonu L_{WA} (merané podľa 2000/14 / ES)	100 dB(A)	99 dB(A)
Vibrácie Ahod	Zadná rukoväť	5,373 m/s ² $K=1,5$ m/s ²
	Predná rukoväť	4,146 m/s ² $K=1,5$ m/s ²

- Deklarovaná celková hodnota vibrácií bola v súlade so štandardnou skúšobnou metódou a môže sa použiť na vzájomné porovnanie jednotlivých náradí;
- Deklarovaná celková hodnota vibrácií sa tiež môže použiť na predbežné vyhodnotenie času práce.

UPOZORNENIE: Hodnota vibrácií pri aktuálnom použití elektrického náradia sa môže líšiť od deklarovanej hodnoty, v rámci ktorej je náradie používané; kvôli svojej ochrane by mal používateľ nosiť rukavice a ochranu sluchu podľa aktuálnych podmienok použitia.

SK

OBSAH BALENIA

NÁZOV DIELU	MNOŽSTVO
Napájacia jednotka reťazovej pily	1
Reťaz pily	1
Vodiaca lišta	1
Kryt reťaze	1
Návod na obsluhu	1

POPIS

SPOZNAJTE SVOJU REŤAZOVÚ PÍLU (obr. A)

1. Spúšťač
2. Tlačidlo odomknutia
3. Tlačidlo na uvoľnenie batérie
4. Uzáver olejovej nádrže
5. Okienko na kontrolu oleja
6. Reťaz pily
7. Vodiaca lišta
8. Západka
9. Vystreľovací mechanizmus
10. Elektrické spoje
11. Rukoväť brzdy spätnému nárazu reťaze
12. Ovládacie koliesko napnutia reťaze
13. Predná rukoväť
14. Zadná rukoväť
15. Ovládacia skrutka napnutia reťaze
16. Bočný kryt
17. Ovládacie koliesko bočného krytu
18. Kryt reťaze
19. Otvor na mazanie
20. Ozubené koliesko v špičke vodiacej lišty

UPOZORNENIE: Rukoväť brzdy spätného nárazu reťaze slúži ako páka pre aktiváciu brzdy reťaze. Tiež poskytuje ochranu proti vyčnievajúcim vetvám a pomáha chrániť ľavú ruku pred kontaktom s reťazou pily, ak sklízne z prednej rukoväte.

MONTÁŽ

VAROVANIE: Nepoužívajte tento výrobok, ak niektoré diely chýbajú alebo sú poškodené, až kým nebudú nahradené. Používanie výrobku s poškodenými alebo chýbajúcimi časťami môže viesť k vážnemu zraneniu.

VAROVANIE: Nepokúšajte sa tento výrobok upravovať alebo vyrábať príslušenstvo, ktoré sa neodporúča používať s touto reťazovou pilou. Každá takáto úprava alebo zmena znamená nesprávne použitie a môže spôsobiť nebezpečnú situáciu, ktorá môže viesť k vážnemu zraneniu.

VAROVANIE: Pri montáži dielov vždy vyberte akumulátor z náradia, aby ste zabránili náhodnému spusteniu, ktoré by mohlo spôsobiť vážne zranenia.

MONTÁŽ/VÝMENA LIŠTY A REŤAZE

VAROVANIE: Pri manipulácii s lištou a reťazou vždy používajte rukavice. Tieto časti sú ostré a môžu sa na nich nachádzať zuby.

1. Umiestnite napájaciu jednotku reťazovej píly na bok s bočným krytom smerom nahor (obr. H).
2. Otočte ovládacie koliesko bočného krytu v proti smere hodinových ručičiek, aby ste odstránili bočný kryt a potom úplne uvoľnite ovládacie koliesko napnutia reťaze.
3. Uložte novú reťaz do slučky na rovnú plochu a vyrovnajte prípadné zalomenia (viď obr. I).
4. Umiestnite jednotlivé vodiace články reťaze do drážky vodiacej lišty a urobte slučku reťaze na zadnej strane vodiacej lišty (obr. J).
5. Držte reťaz v polohe na vodiacej lište a umiestnite slučku okolo ozubeného kolesa napájacej jednotky.
6. Posuňte otvor vodiacej lišty nad podpornú prírubu, až kým nevložíte nastavovací kolík napätia do dolného otvoru v zadnej časti lišty (obr. L1).

UPOZORNENIE: V reťazi sú vyryté malé smerové šípky. Ďalšia smerová šípka je vliisovaná do plášťa. Pri nahadzovaní reťaze na ozubené koleso sa uistíte, že smer šípok na reťazi zodpovedá smeru šípky na plášti. Ak smerujú proti sebe, otočte zostavu reťaze píly a vodiacej lišty (obr. L2).

7. Nasadzte bočný kryt a zľahka dotiahnite jeho ovládacie koliesko.
8. Zdvihnite špičku vodiacej lišty hore, aby ste skontrolovali prehnutie (Obr. K). Uvoľnite špičku vodiacej lišty a otočte ovládacie koliesko napnutia reťaze v smere hodinových ručičiek. Opakujte tento postup, až kým prehnutie nezmizne.
9. Pred začatím používania pevne utiahnite ovládacie koliesko bočného krytu, aby ste zabezpečili pevné napnutie reťaze.

Obr. J a L pozri nižšie popis dielov:

J-1	Vodiace články reťaze	L-2	Napínací kolík
J-2	Drážka vodiacej lišty	L-3	Otvor vodiacej lišty
L-1	Podporná prírubica	L-4	Ozubené koleso

UPOZORNENIE: Ak chcete predĺžiť životnosť lišty, občas ju obráťte.

UPOZORNENIE: Pokiaľ je reťaz príliš napnutá, nebude sa otáčať. Zľahka uvoľnite ovládacie koliesko bočného krytu a raz otočte ovládacie koliesko napnutia sprava doľava. Zdvihnite špičku vodiacej lišty nahor a pevne utiahnite ovládacie koliesko bočného krytu. Uistite sa, že sa reťaz bude otáčať bez zasekávania.

NASTAVENIE NAPNUTIA REŤAZE

- Pred nastavovaním napnutia reťaze zastavte motor a vyberte akumulátor. Uistite sa, že je ovládacie koliesko bočného krytu uvoľnené. Ak chcete napnúť reťaz, otočte ovládacie koliesko napnutia reťaze v smere hodinových ručičiek. Pozri časť: „VÝMENA LIŠTY A REŤAZE“ pre ďalšie informácie.
- Studená reťaz je správne napnutá, ak nie je na spodnej strane vodiacej lišty žiaden priestor a reťaz prilieha, ale zároveň sa otáča bez zasekávania. Reťaz sa musí napínať vždy, keď plošky vodiacich článkov nezapadajú do drážky lišty.
- Počas bežného používania píly sa zvyšuje teplota reťaze. Vodiace články dobre napnutej teplej reťaze presahujú približne 1,3 mm von z drážky lišty (obr. M).

UPOZORNENIE: Nové reťaze majú tendenciu sa natiahnuť; často kontrolujte napnutie reťaze a v prípade potreby ho dotiahnite.

UPOZORNENIE: Reťaz, ktorá bola dotáhaná za tepla, môže byť po ochladnutí príliš tesná. Pred ďalším použitím skontrolujte napnutie reťaze za studena.

PREVÁDZKA

VAROVANIE: Nedovoľte, aby znalosť tohto výrobku spôsobila vašu neopatrnosť. Pamätajte na to, že aj chvilková neopatrnosť stačí na to, aby spôsobila vážny úraz.

VAROVANIE: Vždy používajte ochranné okuliare s bočnými štítmami. Ak tak neurobíte, môže dôjsť k vymršteniu predmetov do očí a k ďalším možným vážnym zraneniam.

VAROVANIE: Nepoužívajte žiadne doplnky alebo príslušenstvo, ak ho neodporúča výrobca uvedeného výrobku. Používanie nástavcov alebo príslušenstva, ktoré nie je odporúčané, môže viesť k vážnemu zraneniu osôb.

VAROVANIE: Pri montáži dielov, zmene nastavenia, čistení a ak náradie nepoužívate, vždy vyberte akumulátor zo stroja, aby ste zabránili náhodnému spusteniu, ktoré by mohlo spôsobiť vážne zranenia.

Pred každým použitím skontrolujte, či na zariadení nie sú poškodené, chýbajúce alebo uvoľnené časti, napríklad skrutky, matice, závitky, uzávery, atď.. Bezpečne utiahnite všetky upevňovacie prvky a uzávery a nepoužívajte tento výrobok, kým nebudú vymenené všetky chýbajúce alebo poškodené diely.

POUŽITIE

Tento výrobok môžete používať na jednoduché stínanie, osekávanie vetiev, prerezávanie a výrub reziva a stromov.

SK

UPOZORNENIE: Nástroje sa musí používať v súlade s účelom použitia. Každé iné použitie sa považuje za prípad nevhodného použitia.

PLNENIE MAZIVA LIŠTY A REŤAZE

VAROVANIE: Nefajčite ani nepoužívajte oheň alebo plameň v blízkosti oleja alebo reťazovej pily. Olej sa môže rozliať a spôsobiť požiar.

UPOZORNENIE: Pri kúpe nie je v reťazovej píle olej. Je nevyhnutné, aby ste pred použitím naplnili nádrž olejom. Reťaz je počas používania automaticky mazaná olejom.

1. Umiestnite reťazovú pílu na bok s uzáverom olejovej nádrže smerom dopredu.
2. Vyčistite uzáver a oblasť okolo neho a potom ho odstráňte otočením v proti smere hodinových ručičiek (obr. N).
3. Opatrne nalejte olej na to určený do nádrže až po dno plniaceho hrdla.
4. Utrite prebytočný olej a znovu nasadte uzáver.

UPOZORNENIE: Vo zvislej polohe by mal olej vyplňať kontrolné okienko. Ak už v kontrolnom okienku nie je olej vidno, okamžite prestaňte nástroj používať a doplňte olej.

NASADENIE / ODPOJENIE AKUMULÁTORA

Pred prvým použitím akumulátor nabite.

Nasadenie (obr. O)

Spojte batériu s montážnymi otvormi a stlačte akumulátor nadol, kým nebudete počuť "cvaknutie".

Odpojenie (obr. P)

Stlačte tlačidlo na uvoľnenie batérie a vytiahnite akumulátor.

ZAPNUTIE / ZASTAVENIE REŤAZOVEJ PÍLY

UPOZORNENIE: Pred zapnutím reťazovej pily skontrolujte hladinu oleja, ostrosť zubov a správnu funkciu rukoväte brzdy spätného nárazu reťaze. Okrem toho je nevyhnutné udržiavať pevný postoj a správnu vzdialenosť od zeme.

SK

Zapnutie

1. Potiahnite rukoväť brzdy spätného nárazu reťaze smerom k prednej rukoväti do prevádzkovej polohy (obr. G).
2. Pevne uchopte prednú a zadnú rukoväť oboma rukami.
3. Stlačte tlačidlo odomknutia, potom stisnite spúšťač a zapnite nástroj. (obr. Q). Uvoľnite tlačidlo odomknutia a stále držte spúšťač pre pokračovanie činnosti.

VAROVANIE: Nepokúšajte sa zapnúť pílu, keď je reťaz pily v reze.

Zastavenie

1. Uvoľnite spúšťač.
2. Zatláčte rukoväť brzdy spätného nárazu reťaze dopredu do brzdnéj polohy, aby ste aktivovali brzdu reťaze (obr. G).

VAROVANIE: Počas pracovných prestávok a po ukončení práce vždy vyberte z reťazovej pily akumulátor.

Správne uchopenie rukovätí (obr. E)

- Noste protišmykové rukavice s cieľom maximalizovať uchopenie a ochranu.
- Držte pílu pevne oboma rukami na pevnom a rovnom povrchu.
- Vždy uchopte prednú rukoväť ľavou rukou a zadnú rukoväť pravou rukou.
- Prsty by mali obopínať rukoväť s palcom pod prednou rukoväťou.

VAROVANIE: Nikdy používajte úchop ľavou rukou (s rukami do križa) alebo akýkoľvek postoj, ktorý by posunul vaše telo alebo ruku do dráhy reťaze (obr. R).

Správny postoj pri pílení (obr. S)

- Obe chodidlá by mali byť na pevnej zemi s rovnomerne rozmiestnenou hmotnosťou.
- Ľavá ruka by mala byť vystretá a lakeť pevný. Pomáha to odolávať silám vytvoreným spätným nárazom.
- Telo by malo byť vždy na ľavej strane dráhy reťaze.

POKYNY TÝKAJÚCE SA SPRÁVNEJ TECHNIKY JEDNODUCHÉHO STÍNANIA, OSEKÁVANIA VETIEV A PREREZÁVANIA

VAROVANIE: Vždy sa uistite, že Váš postoj je pevný a držte reťazovú pílu pevne pílu oboma rukami, keď je motor zapnutý.

VAROVANIE: Keď sa reťazová píla zastaví kvôli zablokovaniu počas pílenia, uvoľnite spúšťač; vytiahnite reťazovú pílu a vodiacu lištu z dreva, potom reťazovú pílu znovu zapnite.

VAROVANIE: Neťahajte reťazovú pílu rukou, ak je obalená pilinami. Ak sa reťazová píla zapne náhodne, môže to viesť k vážnemu úrazu. Zatláčte reťazovú pílu proti drevu. Zatraste pílu hore dolu, aby ste sa zbavili úlomkov. Pred čistením vždy vyberte akumulátor. Pri manipulácii s reťazou používajte pevné ochranné rukavice.

VAROVANIE: Nikdy nezapínajte reťazovú pílu, keď sa dotýka dreva. Reťazová píla musí dosiahnuť plnú rýchlosť pred jej použitím na pílenie dreva.

Stínanie stromu

- Pri vykonávaní činností skracovania alebo stínania dvomi osobami naraz, by sa stínanie malo vykonávať v minimálnej vzdialenosti dvakrát väčšej než dĺžka stromu, ktorý mal byť sťatý, od činnosti skracovania. Stromy by nemali byť odstraňované spôsobom, ktorý by ohrozoval osoby, poškodil verejné rozvody alebo spôsobil akúkoľvek škodu na majetku. V prípade, že sa strom dostal do kontaktu s verejnými rozvodmi, treba to ihneď oznámiť rozvodnej spoločnosti.
- Používateľ reťazovej pily by mal stáť na vrchnej strane terénu, keďže je pravdepodobné, že sa strom po výrube bude gúľať alebo šmykať dolu kopcom.
- Pred začatím výrubov by mala byť naplánovaná a jasne stanovená úniková cesta. Úniková cesta by sa mala rozširovať dozadu a šikmo k zadnej strane predpokladanej trasy pádu podľa znázornenia na obr. T.
- Pred začatím výrubu zvážte prirodzený náklon stromu, umiestnenie väčších konárov a smer vetra s cieľom posúdiť, ako strom spadne.
- Zo stromu odstráňte špinu, kamene, uvoľnenú kôru, klince, skoby a drôty

Predný spodný rez

Urobte zárez do 1/3 priemeru stromu kolmo na smer pádu podľa zobrazenia na obr. U. Najskôr urobte horizontálny predný spodný rez. Pomáha to predchádzať zovretiu reťaze alebo vodiacej lišty pri robení druhého rezu.

Zadný horný rez

- Urobte zadný horný rez minimálne 50 mm vyššie od horizontálneho predného spodného rezu podľa zobrazenia na obr. U. Dbajte na to, aby bol zadný horný rez paralelný s horizontálnym predným spodným rezom. Urobte zadný horný rez tak, aby ste nechali dostatok dreva, ktoré bude fungovať ako nedorezok. Nedorezok zabraňuje tomu, aby sa strom stočil a spadol zlým smerom. Nepíľte nedorezok.
- Keď sa pri výrube dostanete do blízkosti nedorezku, strom by mal začať padať. Ak existuje možnosť, že strom nespadne v požadovanom smere, alebo rozhojdá reťazovú pílu, prestaňte píliť predtým, než dokončíte zadný horný rez a použite kliny z dreva, plastu alebo hliníka na to, aby ste otvorili výrez a zhodili strom v požadovanom smere pádu.
- Keď strom začne padať, odstráňte reťazovú pílu z výrezu, zastavte motor, dajte reťazovú pílu dolu, potom použite plánovanú ústupovú cestu. Dávajte pozor na padajúce vetvy v úrovni nad hlavou a dbajte na správny postoj.

Obr. T a U pozri nižšie popis dielov:

T-1	Smer výrubu	U-2	Spodný rez
T-2	Bezpečnostná ústupová cesta	U-3	Zadný horný rez
U-1	Smer pádu	U-4	Nedorezok

Odvetvovanie stromu

Odvetvovanie je odstraňovanie vetiev z vyrúbaného stromu. Pri odvetvovaní ponechajte väčšie vetvy umiestnené nižšie ako podporu pri stínaní mimo zeme. Odstráňte malé vetvy jedným rezom podľa obr. V. Napnuté vetvy by sa mali píliť zdola nahor, aby sa predišlo zablokovaniu reťazovej pily.

Skracovanie brvna

- Skracovanie je pílenie brva na určité dĺžky. Je dôležité zabezpečiť pevný postoj a rovnomerné rozloženie váhy na obe nohy. Pokiaľ je to možné, brvno by sa malo zdvihnúť a podprieť vetvami, brvami alebo klámi. Postupujte podľa jednoduchých pravidiel, ktoré uľahčujú pílenie.
- Ak je brvno podpreté pozdĺž celej jeho dĺžky tak, ako je zobrazené na obr. W1, píli sa zhora (vrchný rez).
- Ak je brvno podpreté na jednom konci tak, ako je zobrazené na obr. W2, urobte zárez do 1/3 priemeru zo spodnej strany (spodný rez). Potom urobte konečný rez zhora na ukončenie prvého rezu.
- Ak je brvno podpreté na oboch koncoch tak, ako je zobrazené na obr. W3, urobte zárez do 1/3 priemeru zhora (vrchný rez). Potom dokončíte prvý rez spodným rezom do 2/3.
- Pri pílení na svahu stojte vždy na strane brvna, ktorá je vyššie tak, ako je to zobrazené na obr. X.
- Pre udržanie úplnej kontroly počas „prerezávania“ uvoľnite tlak pílenia na konci rezu bez toho, aby ste uvoľnili uchopenie rúkovi reťazovej pily. Nenechajte reťaz dotknúť sa zeme. Po ukončení rezu počkajte, kým sa reťaz pily zastaví. Až potom môžete reťazovú pílu pohnúť. Pred prechodom k ďalšiemu stromu vždy vypnite motor.

ÚDRŽBA

VAROVANIE: Pri údržbe používajte iba identické náhradné diely. Použitie iných dielov môže byť nebezpečné a môže spôsobiť poškodenie výrobku.

VAROVANIE: Pri vykonávaní údržby reťazovej pily používajte vždy ochranné rukavice.

VAROVANIE: Ak chcete predísť vážnemu poraneniu osôb, pred kontrolou, čistením alebo vykonávaním údržby vytiahnite z reťazovej pily akumulátor. Nástadie s pohonom na batériu sa môže spustiť náhodne, ak je v ňom vložený akumulátor.

SK

VAROVANIE: Počas čistenia NEPONÁRAJTE reťazovú pílu do vody ani iných kvapalín.

VAROVANIE: Nedovoľte, aby sa brzdoval kvapalina, benzín, výrobky na báze ropy, penetračné oleje, atď., dostali do styku s plastovými časťami. Chemické látky môžu poškodiť, oslabiť alebo zničiť plast, čo môže viesť k vážnemu zraneniu.

ČISTENIE

- Po každom použití odstráňte nečistoty z reťaze a vodiacej lišty použitím mäkkkej kefy. Utrite povrch reťazovej píly čistou handričkou navlhčenou v slabom mydlovom roztoku.
- Zložte bočný kryt a potom použite mäkkú kefu na odstránenie nečistôt z vodiacej lišty, reťaze píly, ozubeného kolesa a bočného krytu.
- Pri výmene reťaze vždy odstráňte drewnú štiepku, piliny a nečistoty z drážky vodiacej lišty.

VÝMENA LIŠTY A REŤAZE

VAROVANIE: Nikdy sa nedotýkajte ani neprestavujte reťaz, keď je zapnutý motor. Reťaz píly je veľmi ostrá.

UPOZORNENIE: Pri výmene vodiacej lišty a reťaze používajte vždy špeciálnu kombináciu lišty a reťaze uvedenu v návode.

Demontáž opotrebovanej lišty a reťaze (obr. Y)

1. Vyberte batériu, nechajte pílu vychladnúť a utiahnite uzáver olejovej nádrže.
2. Dajte pílu na bok s bočným krytom smerujúcim hore.
3. Používajte rukavice. Zložte bočný kryt otočením ovládacieho kolieska bočného krytu v proti smere hodinových ručičiek. Vyčistite bočný kryt suchou handričkou.

UPOZORNENIE: To je správny čas na kontrolu nadmerného opotrebenia alebo poškodenia hnacieho ozubeného kolesa.

Montáž novej lišty a reťaze

Postupujte podľa pokynov v časti **MONTÁŽ/VÝMENA LIŠTY A REŤAZE** tohto návodu.

Nastavte napnutie reťaze

Postupujte podľa pokynov v časti **NASTAVENIE NAPNUTIA REŤAZE** tohto návodu.

ÚDRŽBA REŤAZE

VAROVANIE: Pri maní pulácii s reťazou píly vždy používajte rukavice. Jej časti sú ostré a môžu sa na nich nachádzať zuby.

Na túto pílu používajte iba reťaze s nízkym spätným nárazom. Ak je udržiavaná v dobrom stave, rýchlo piliaca reťaz zaisťuje zníženie spätného nárazu.

Dobre naostrená reťaz píly prereže drevo bez námahy, a to aj pri veľmi malom tlaku.

Nikdy nepoužívajte tupé alebo poškodené reťaze. Tupé nože reťazovej píly vedú k zvýšenej fyzickej námahe, zvýšenému zaťažaniu vibráciami, neuspokojivým výsledkom pílenia a zvýšenému opotrebeniu.

Pre dosiahnutie plynulého a rýchleho pílenia sa treba o reťaz dobre starať. Reťaz treba naostriť, ak sú časti drevnej štiepky malé a prachové, reťaz treba pri pílení dreva tlačiť, inak píli iba do jednej strany. Pri údržbe reťaze zvažte nasledujúce skutočnosti:

- Nesprávny uhol podávania bočnice môže zvýšiť riziko vážneho spätného nárazu.
- Výška podpory (hlbkomer). Ak je príliš nízka, vytvára potenciál pre vytvorenie spätného nárazu. Nedostatočne nízka zase znižuje reznú schopnosť.
- Ak rezacie zuby narazia na tvrdé predmety, napríklad klince a kamene, alebo erodovali kvôli blatu alebo piesku na dreve, nechajte si reťaz nabrúsiť kvalifikovaným servisným technikom.

UPOZORNENIE: Pri výmene reťaze skontrolujte hnacie ozubené koleso na známky opotrebenia. Ak sa v danej oblasti vyskytujú známky opotrebenia alebo poškodenia, dajte si hnacie ozubené koleso vymeniť kvalifikovanému servisnému technikovi.

ÚDRŽBA VODIACEJ LIŠTY

Keď vodiaca lišta vykazuje známky opotrebenia, obráťte ju, aby ste rozdelili opotrebenie s cieľom maximálne predĺžiť životnosť lišty. Lišta by sa mala čistiť po každom použití a treba ju kontrolovať na známky opotrebenia a poškodenia. Rozstrapkanie alebo tvorenie drsných okrajov na kolajnicach lišty je bežný postup pri opotrebení lišty. Tieto nedokonalosti treba vyhladiť pomocou pilníka hneď, ako sa objavia. Lištu, ktorá vykazuje nasledujúce chyby, treba vymeniť.

- Opotrebenie vo vnútri kolajnic lišty, ktoré umožňuje, aby sa reťaz dostala cez bočné strany.
- Zohnutá vodiaca lišta
- Prasknuté alebo zlomené kolajnice.
- Rozšírené kolajnice.

Navyše má vodiaca lišta na svojom hrote ozubené koleso (obr. A-20). Ozubené koleso treba mazať raz za týždeň mazacou striekačkou, aby sa predĺžila životnosť vodiacej lišty. Používajte mazacu striekačku raz do týždňa na mazanie reťazovým olejom cez mazací otvor (obr. A-19). Otočte vodiacu lištu a skontrolujte, či sú mazacie otvory a drážka reťaze čisté.

PREPRAVA A SKLADOVANIE

- Reťazovú pílu neskladujte ani neprepravujte, ak je zapnutý motor. Pri skladovaní alebo preprave vždy vytiahnite akumulátor.
- Pred skladovaním alebo prepravou reťazovej píly umiestnite na vodiacu lištu kryt. Snažte sa nedotýkať ostrých zubov reťaze.
- Pred skladovaním reťazovú pílu dôkladne vyčistite. Skladujte reťazovú pílu v interiéri, na suchom mieste, ktoré je uzamknuté a/alebo mimo dosahu detí.
- Udržujte mimo dosahu agresívnych látok, ako sú záhradné chemikálie a rozmrazovacie soli.

Ochrana životného prostredia



Nevyhadzujte elektrické zariadenie, nabíjačku batérií a batérie/nabíjateľné batérie do komunálneho odpadu!

Podľa Zákona EÚ 2012/19/EÚ a Zákona EÚ 2006/66/EC sa elektrické a elektronické zariadenia, ktoré sa už nedajú používať, a chybné alebo použité akumulátory/batérie musia separovať.

Ak sa elektrické spotrebiče vyhodia na skládku alebo smetisko, môžu nebezpečné látky unikať do podzemných vôd a dostať sa do potravinového reťazca, čo spôsobuje poškodenie zdravia.

ES VYHLÁSENIE O ZHODE

My, CHERVON EUROPE LTD.
47 CASTLE STREET, READING, RG1 7SR, UNITED KINGDOM

vyhlasuje, že výrobok **56V lítium-iónová akumulátorová reťazová píla CS1400E/CS1600E** spĺňa základné požiadavky na ochranu zdravia a bezpečnosti podľa týchto smerníc:

2006/42/EC, 2004/108/EC, 2011/65/EU, 2000/14/EC

Normy a technické špecifikácie vzťahujúce sa na:

EN 60745-1, EN 60745-2-13, EN 55014-1, EN 55014-2

	CS1400E	CS1600E
Nameraná hladina akustického výkonu:	96,73 dB(A)	96,4 dB(A)
Garantovaná hladina akustického výkonu:	100 dB(A)	99 dB(A)

Peter Melrose
Viceprezident spoločnosti
Chervon Europe

Dong Jianxun
Manažér kvality spoločnosti
Chervon

* (Autorizovaný zástupca pre spoločnosť Chervon a osoba zodpovedná za technickú dokumentáciu)

01/01/2016

Navn, adresse og identifikasjonsnummer til varslet myndighet:
TüV Rheinland LGA Products GmbH; Tillystra 2 D - 90431
Nürnberg, Germany; 0197.

Nummer på EU-type undersøkelsessertifikat:
BM 50326004 0001 (CS1600E)
BM 50296271 0001 (CS1400E)

SK

RIEŠENIE PROBLÉMOV

⚠ VAROVANIE: Pri údržbe reťazovej píly vždy používajte pevné rukavice, aby ste si chránili ruky. Pri údržbe alebo preprave reťazovej píly vždy vytiahnite akumulátor.

PROBLÉM	PRÍČINA	RIEŠENIE
Motor nebeží	<ul style="list-style-type: none"> ■ Akumulátor nie je pripojený k reťazovej píle. ■ Medzi pilou a batériou nie je elektrický kontakt. ■ Akumulátor je vybitý. ■ Akumulátor alebo reťazová píla sú príliš horúce. ■ Pred stlačením spúšťača ste nestlačili tlačidlo odomknutia. ■ Brzda reťaze je aktívna. ■ Reťaz píly je zaseknutá v dreve. ■ Špina v drážke lišty. ■ Špina v bočnom kryte. 	<ul style="list-style-type: none"> ■ Pripojte akumulátor k reťazovej píle. ■ Vyberte batériu, skontrolujte kontakty a znovu nainštalujte akumulátor. ■ Nabite akumulátor. ■ Nechajte akumulátor alebo reťazovú pílu vychladnúť, až kým teplota neklesne pod 67 °C. ■ Zatlačte tlačidlo odblokovania a podržte ho, potom stlačte spúšťač, aby ste zapli reťazovú pílu. ■ Potiahnite rukoväť brzdy spätného nárazu reťaze dozadu k prednej rukoväti. ■ Uvoľnite spúšťač; vytiahnite reťazovú pílu a vodiacu lištu z dreva, potom reťazovú pílu znovu zapnite. ■ Zatlačte reťazovú pílu proti drevu. Zatraste pílu hore dolu, aby ste sa zbavili úlomkov. ■ Vyberte akumulátor, potom odstráňte bočný kryt a vyčistite špinu.
Motor beží, ale reťaz sa neotáča	<ul style="list-style-type: none"> ■ Reťaz nedokáže aktivovať hnacie ozubené koleso. 	<ul style="list-style-type: none"> ■ Znovu nainštalujte reťaz a uistite sa, že vodiace články na reťazi zapadajú do ozubeného kolesa.
Brzda reťaze nezaberá	<ul style="list-style-type: none"> ■ Nečistoty bránia pohybu rukoväte brzdy spätného nárazu reťaze. ■ Možná chyba brzdy reťaze 	<ul style="list-style-type: none"> ■ Očistite špinu z vonkajšieho brzdového mechanizmu reťaze. ■ Kontaktujte zákaznícky servis EGO.

PROBLÉM	PRÍČINA	RIEŠENIE
Reťazová píla príli nedostatočne	<ul style="list-style-type: none"> ■ Nedostatočné napnutie reťaze. ■ Tupá reťaz. ■ Reťaz je nainštalovaná naopak. ■ Opatrebovaná reťaz. ■ Suchá alebo príliš napnutá reťaz. ■ Reťaz nie je v drážke lišty. 	<ul style="list-style-type: none"> ■ Upravte dotiahnutie reťaze, postupujte podľa časti: "NASTAVENIE NAPNUTIA REŤAZE". ■ Naostrite nože reťaze, postupujte podľa časti: "AKO OSTRÍŤ NOŽE". ■ Znovu nasadte reťaz, postupujte podľa časti: "VÝMENA LIŠTY A REŤAZE". ■ Vymeňte reťaz, postupujte podľa časti: "VÝMENA LIŠTY A REŤAZE". ■ Skontrolujte hladinu oleja. V prípade potreby doplňte olejovú nádrž. ■ Znovu nasadte reťaz, postupujte podľa časti: "VÝMENA LIŠTY A REŤAZE".
Lišta a reťaz sú horúce a dymia	<ul style="list-style-type: none"> ■ Skontrolujte, či nie je reťaz príliš napnutá. ■ Olejová nádrž reťaze je prázdna. ■ Špina v drážke vodiacej lišty. 	<ul style="list-style-type: none"> ■ Upravte napnutie reťaze; pozri časť: "NASTAVENIE NAPNUTIA REŤAZE". ■ Doplňte mazivo lišty a reťaze. ■ Vyčistite špinu z drážky.

ZÁRUKA

ZÁRUČNÁ POLITIKA EGO

Navštívte webové stránky egopowerplus.com pre úplné podmienky záručnej politiky spoločnosti EGO.

SK

PERSKAITYKITE VISĄ INSTRUKCIJĄ!



PERSKAITYKITE NAUDOJIMO INSTRUKCIJĄ IR ĮSITIKINKITE, AR JĄ SUPRATOTE

⚠ Liekamoji rizika! Žmonėms, kuriems implantuoti elektroniniai prietaisai, pvz., širdies stimulatoriai, prieš pradėdami naudoti šį gaminį, reikia pasitarti su savo gydytoju (-ais). Artį širdies stimulatoriaus veikianti elektros įranga gali trikdyti širdies stimulatoriaus veikimą arba jį sugadinti.

⚠ ĮSPĖJIMAS. Norint užtikrinti saugų ir patikimą gaminio naudojimą, visus remonto ir keitimo darbus turi atlikti kvalifikuotas techninės priežiūros specialistas.

SAUGOS SIMBOLIAI

Šių simbolių paskirtis – atkreipti dėmesį į galimus pavojus. Gerai susipažinkite su saugos simboliais bei jų paaiškinimais ir juos įsidėmėkite. Simbolių įspėjimai patys savaime negali apsaugoti nuo pavojų. Jais žymimi nurodymai ir įspėjimai neatstoja tinkamų nelaimingų atsitikimų prevencijos priemonių.

⚠ ĮSPĖJIMAS. Prieš pradėdami naudoti šį gaminį, perskaitykite visus šioje naudojimo instrukcijoje pateiktus saugos nurodymus, taip pat susipažinkite su visais saugos įspėjamaisiais simboliais, tokiais kaip **PAVOJUS**, **ĮSPĖJIMAS** ir **PERSPĖJIMAS**, ir įsitikinkite, ar juos supratote. Nesilaikant visų toliau išdėstytų nurodymų, galima patirti elektros smūgį, sukelti gaisrą ir (arba) sunkiai susižaloti.

SIMBOLIO REIKŠMĖ

SAUGOS ĮSPĖJAMASIS SIMBOLIS: nurodo **PAVOJŲ**, **ĮSPĖJIMĄ** arba **PERSPĖJIMĄ**. Gali būti panaudotas su kitais simboliais arba piktogramomis.

⚠ ĮSPĖJIMAS. Naudojant bet kokius elektrinius įrankius, į akis gali būti išsviesta svetimkūnių, kurie jas gali sunkiai sužaloti. Prieš pradėdami naudoti elektrinį įrankį, visada užsidėkite apsauginius akinius arba apsauginius akinius su šonine apsauga ir, jei reikia, visą veidą dengiantį skydelį. Rekomenduojame naudoti platų matymo lauką užtikrinančią apsauginę kaukę ant akinių arba standartinius apsauginius akinius su šonine apsauga.

SAUGOS NURODYMAI

Šiame puslapyje pavaizduoti ir aprašyti saugos simboliai, kurių gali būti ant šio gaminio. Prieš bandydami surinkti ir naudoti įrenginį, perskaitykite visus ant jo pateiktus nurodymus, įsitikinkite, ar juos supratote, ir jais vadovaukitės.

	Saugos įspėjimas	Nurodo galimą pavojų susižaloti.
	Perskaitykite naudojimo instrukciją	Norėdamas sumažinti pavojų susižaloti, naudotojas privalo perskaityti naudojimo instrukciją
	Užsidėkite apsauginius akinius	Naudodami šį gaminį, visada užsidėkite apsauginius akinius arba apsauginius akinius su šonine apsauga ir visą veidą dengiantį skydelį.
	Užsidėkite apsaugines ausines	Visada užsidėkite apsaugines ausines, kai dirbate su šiuo gaminio.
	Užsidėkite galvos apsaugos priemonę	Galvai apsaugoti užsidėkite patvirtintą apsauginį šalną.
	Mūvėkite apsaugines pirštines	Kai dirbate su grandininio pjūkle arba tvarkote grandinę, apsaugokite rankas pirštinėmis. Tvirtos neslidžios pirštinės leidžia geriau suimti ir apsaugo rankas.
	Pjovimo juosta	Informacija apie pjovimo juostą.
	Galima atatranka	Venkite pjovimo juostos viršūnės sąlyčio su bet koku objektu.
	Pjovimo juostos viršūnės atatranka	Viršūne prielietus objektą, pjovimo juosta gali staiga atšokti aukštyn ir atgal, todėl galite sunkiai susižaloti.
	Laikymas abiem rankomis	Grandininį pjūklą visada laikykite abiem rankomis.
	Saugokite nuo lietaus	Nenaudokite lyjant lietu ir nepalikite lauke, kai lyja.
	CE	Šis produktas atitinka taikomų EB direktyvų reikalavimus.

	Triukšmo	Garantuojamas garso galios lygis. Į aplinką skleidžiamas triukšmas atitinka Europos Bendrijos direktyvos reikalavimus.
	WEEE	Elektros produktų atliekos neturėtų būti šalinamos kartu su buitėmis atliekomis. Jas pristatykite įgaliojotiesiems perdirbėjams.
V	Voltas	Įtampa
A	Amperas	Srovė
Hz	Hercas	Dažnis (ciklai per sekundę)
W	Vatas	Galia
min	Minutės	Laikas
	Kintamoji elektros srovė	Srovės tipas
	Nuolatinė elektros srovė	Srovės tipas arba charakteristika
n_0	Sūčiai be apkrovos	Sukimosi greitis, kai nėra apkrovos
... /min	Per minutę	Apsisukimai per minutę

BENDRIEJI SAUGOS NURODYMAI DĖL ELEKTRINIO ĮRANKIO

⚠ ĮSPĖJIMAS. Perskaitykite visus saugos įspėjimus ir nurodymus. Nesilaikant visų toliau pateiktų įspėjimų ir nurodymų, galima patirti elektros smūgį, sukelti gaisrą ir (arba) sunkiai susižaloti.

Išsaugokite visus įspėjimus ir nurodymus, kad prirėkus galėtumėte pasižiūrėti.

Įspėjimuose vartojamu terminu „elektrinis įrankis“ nurodomas iš elektros lizdo maitinamas (laidinis) arba akumuliatoriumi maitinamas (akumuliatorinis) elektrinis įrankis.

DARBO VIETOS SAUGA

- Darbo vieta turi būti švari ir gerai apšviesta. Netvarkingos ir tamsios vietos dažnai tampa nelaimingų atsitikimų priežastimi.

- Nedirbkite su elektriniais įrankiais sprogoje aplinkoje, pvz., ten, kur yra degių skysčių, benzino arba dulkių. Elektriniai įrankiai kibirkščiuoja, o kibirkštys gali uždegti dulkes arba garus.
- Dirbdami su elektriniu įrankiu, liepkite vaikams ir pašaliniais asmenims būti atokiau. Dėl dėmesį blaškančių asmenų galite nesuvaldyti įrankio.

APSAUGA NUO ELEKTROS

- Elektrinio įrankio kištukas turi tikti elektros lizdui. Niekada jokiū būdu nemonifikuokite kištuko. Įžemintiems elektriniams įrankiams nenaudokite jokių kištukų adapterių. Nemonifikuoti kištukai ir tinkami elektros lizdai sumažina pavojų patirti elektros smūgį.
- Stenkitės nepriesti žemintų paviršių, pvz., vamzdžių, radiatorių, viryklių ir šaldytuvų. Jei jūsų kūnas žemintas, kyla didesnis pavojus patirti elektros smūgį.
- Saugokite elektrinius įrankius nuo lietaus ir drėgmės. Vandeniui patekus į elektrinį įrankį, padidėja pavojus patirti elektros smūgį.
- Tinkamai elkitės su maitinimo laidu. Niekada neneškite ir netempkite elektrinio įrankio, laikydami už maitinimo laido. Netraukite maitinimo laido, norėdami ištraukti kištuką iš elektros lizdo. Maitinimo laidą laikykite atokiau nuo karščio šaltinio, tepalų, aštrių briaunų ir judančių dalių. Pažeidus arba sunarpliojus laidus, kyla didesnis pavojus patirti elektros smūgį.
- Dirbdami su elektriniu įrankiu lauke, naudokite laukui skirtą ilgintuvą. Naudojant laukui skirtą maitinimo laidą, sumažėja pavojus patirti elektros smūgį.
- Jei nėra galimybės išvengti elektrinio įrankio naudojimo drėgnoje vietoje, naudokite maitinimą, apsaugotą su nuotėkiu rele. Nuotėkio relė sumažina pavojų patirti elektros smūgį.

ASMENINĖ SAUGA

- Dirbdami su elektriniu įrankiu, būkite budrus, stebėkite ką darote ir vadovaukitės sveika nuovoka. Nedirbkite su elektriniu įrankiu, jei esate pavargę, apsvaigę nuo narkotinių medžiagų, alkoholio arba vaistų. Neatidumo akimirka dirbant su elektriniu įrankiu gali lemti sunkią traumą.
- Naudokite asmenines apsaugos priemones. Visada užsidėkite apsauginius akinius. Tinkamomis sąlygomis naudojamos apsaugos priemonės, pvz., respiratorius, neslidūs apsauginiai batai, šalmas arba ausinės, sumažina pavojų susižaloti.

LT

- Saugokitės atsitiktinio paleidimo. Prieš prijungdami prie maitinimo šaltinio ir (arba) akumulatoriaus, prieš pakeldami arba nešdami įrankį, įsitikinkite, ar jungiklis yra išjungimo padėtyje. Nešant elektrinius įrankius uždėjus pirštą ant jungiklio arba prijungiant elektrinių įrankių maitinimą, kai jungiklis įjungtas, gali įvykti nelaimingas atsitikimas.
- Prieš įjungdami elektrinį įrankį, patraukite visus reguliavimo raktus ir veržliarakčius. Palikus veržliarakčių arba raktą uždėtą ant sukamosios elektrinio įrankio dalies, galima susižaloti.
- Nepraraskite pusiausvyros. Visada tvirtai stovėkite ir išlaikykite pusiausvyrą. Taip geriau suvaldysite elektrinį įrankį netikėtose situacijose.
- Tinkamai apsirenkite. Nedėvėkite laisvų drabužių ir nenešiotkite laisvai kabančių papuošalų. Plaukus, drabužius ir pirštines laikykite toliau nuo judamųjų dalių. Judamosios dalys gali įtraukti laisvus drabužius, papuošalus arba ilgus plaukus.
- Jei yra įtaisai, skirti dulkių nusiurbimo ir surinkimo įrenginiams prijungti, tinkamai prijunkite ir naudokite tuos įrenginius. Naudojant dulkių surinkimo įrenginius, gali sumažėti su dulkėmis susijusių pavojų.

ELEKTRINIO ĮRANKIO NAUDOJIMAS IR PRIEŽIŪRA

- Nesudarykite per didelės apkrovos elektriniam įrankiui. Naudokite atliekamam darbui tinkamą elektrinį įrankį. Veikdamas numatytoju greičiu, tinkamas elektrinis įrankis darbą atlieka veiksmingiau ir saugiau.
- Nenaudokite elektrinio įrankio, jei jungiklis jo neįjungia arba neišjungia. Bet koks elektrinis įrankis, kurio jungiklis neveikia, yra pavojingas ir jį būtina sutaisyti.
- Prieš reguliuodami elektrinį įrankį, keisdami jo priedus arba padėdami jį į laikymo vietą, atjunkite kištuką nuo maitinimo šaltinio ir (arba) akumuliatorių nuo įrankio. Tokios prevencinės saugos priemonės sumažina pavojų atsitiktinai įjungti elektrinį įrankį.
- Nenaudojamus elektrinius įrankius laikykite vaikams nepasiekiamoje vietoje. Su elektriniu įrankiu neleiskite dirbti asmenims, nesusipažinusiems su įrankiu arba šia instrukcija. Neapmokytų naudotojų naudojami elektriniai įrankiai kelia pavojų.
- Prižiūrėkite elektrinius įrankius. Patikrinkite, ar judamosios dalys sulgyjuotos ir nestringa, ar nėra lūžusių dalių, ar nėra kitų sąlygų, galinčių turėti įtakos elektrinio įrankio veikimui. Jei elektrinis įrankis sugadintas, prieš naudodami, jį sutaisykite. Dauguma nelaimingų atsitikimų įvyksta dėl prastai prižiūrimų elektrinių įrankių.

- Prižiūrėkite, kad plovimo įrankiai būtų aštrūs ir švarūs. Tinkamai prižiūrimi plovimo įrankiai su aštriais asmenimis rečiau stringa ir lengviau valdomi.
- Elektrinį įrankį, priedus, antgalius ir kitas dalis naudokite pagal šią instrukciją, atsižvelgdami į darbo sąlygas ir atliktiną darbą. Naudojant elektrinį įrankį ne pagal numatytąją paskirtį, gali susidaryti pavojinga situacija.

AKUMULIATORINIO ĮRANKIO NAUDOJIMAS IR PRIEŽIŪRA

- Akumuliatorių įkraukite naudodami tik gamintojo nurodytą įkroviklį. Naudojant įkroviklį, skirtą kitam akumuliatorių tipui, gali kilti pavojus sukelti gaisrą.
- Elektrinius įrankius naudokite tik su jiems skirtais akumulatoriais. Naudojant kitokius akumulatorius, gali kilti pavojus susižaloti ir sukelti gaisrą.
- Nenaudojamą akumuliatorių reikia laikyti toliau nuo metalinių daiktų, pvz., sąvaržėlių, monetų, raktų, vinių, varžtų ir kitų smulkių metalinių daiktų, galinčių sujungti akumulatoriaus gnybtus. Įvykus trumpajam jungimui tarp akumulatoriaus gnybtų, galima nudegti ir gali kilti gaisras.
- Dėl netinkamų sąlygų iš akumulatoriaus gali ištekėti skystis – nelieskite jo. Jei netyčia palietėte, nuplaukite vandeniu. Jei skystis pateko į akis, nuplaukite ir kreipkitės medicininės pagalbos. Iš akumulatoriaus ištekėjęs skystis gali dirginti arba nudeginti.

TECHNINĖ PRIEŽIŪRA

- Užtikrinkite, kad techninės priežiūros darbus atliktų kvalifikuotas remonto meistras ir kad būtų naudojamos tik identiškos atsarginės dalys. Taip elektrinis įrankis išliks saugus.

ĮSPĖJIMAI DĖL GRANDININIO PJŪKLO SAUGOS

- Kai grandininis pjūklas paleistas, visos kūno vietos turi būti toliau nuo jo. Prieš paleisdami grandininį pjūklą, įsitikinkite, ar jis nieko neliečia. Neatidumo akimirka dirbant su grandininio pjūklu gali lemti aplinkybes, kuriomis grandinė įtraukia drabužį arba kūno dalį.
- Grandininį pjūklą visada laikykite dešiniąją ranką uždėję ant galinės rankenos, o kairiąją – ant priekinės rankenos. Laikant grandininį pjūklą atvirkščiai, padidėja pavojus susižaloti, todėl taip laikyti draudžiama.
- Elektrinį įrankį laikykite tik už izoliuoto, laikymui skirtą paviršiaus, nes grandininio pjūklo grandinė gali priliesti paslėptą elektros laidą. Pjūklo grandinei prilietus laidą, kuriame yra įtampa, neizoliuotose metalinėse elektrinio įrankio dalyse taip pat gali atsirasti įtampa, dėl kurios operatorius gali patirti elektros smūgį.

- **Uždėkite apsauginius akinius ir ausines. Taip pat rekomenduojama naudoti galvos, rankų, kojų ir pėdų apsaugos priemones.** Tinkami apsauginiai drabužiai sumažina pavojų susižaloti dėl skriejančių nuolaužų arba atsitiktinai palietus pjūklo grandinę.
- **Nenaudokite grandininio pjūklo įlipę į medį.** Naudojant grandininį pjūklą įlipus į medį, galima susižaloti.
- **Visada tvirtai stovėkite ir su grandininio pjūklo dirbkite tik tada, kai stovite ant stabilaus, tvirto ir lygaus paviršiaus.** Stovint ant slidaus arba nestabilaus paviršiaus, pvz., kopėčių, galima prarasti pusiausvyrą arba nesuvaldyti grandininio pjūklo.
- **Kai pjaunate įtemptą šaką, būkite atsargūs, nes ji gali atšokti atgal.** Kai pašalinamas medienos plaušus veikiantis įtempimas, įtempta šaka gali atšokti ir atsitrenkti į operatorių ir (arba) išmušti grandininį pjūklą iš rankų.
- **Būkite itin atsargūs, kai pjaunate krūmus ir medelius.** Laibas stiebas gali įstrigti pjūklo grandinėje ir būti blokštas į jus arba sutrikdyti jūsų pusiausvyrą.
- **Išjungtą grandinį pjūklą neškite laikydami už priekinės rankenos ir patraukę toliau nuo savęs.** Kai transportuojate grandininį pjūklą arba paliekate jį laikymo vietoje, visada uždėkite pjovimo juostos užmovą. Tinkamai naudojant grandininį pjūklą, sumažėja pavojus atsitiktinai paliesti judančią pjūklo grandinę.
- **Laikykitės nurodymų dėl tepimo, grandinės įtempimo ir priedų keitimo.** Netinkamai įtempta ar sutepta grandinė gali trūkti arba padidinti tikimybę, kad įvyks atatranka.
- **Pasirūpinkite, kad rankenos būtų sausos, švarios ir nesuteptos alyva arba tepalu.** Tepalu ar alyva suteptos rankenos yra slidžios, todėl galite nesuvaldyti įrankio.
- **Pjaukite tik medieną. Nenaudokite pjūklo ne pagal paskirtį.** Pavyzdžiui, grandininio pjūklo nepjaukite plastiko, mūro arba statybinių medžiagų, pagamintų ne iš medienos. Naudojant grandininį pjūklą ne pagal numatytąją paskirtį, gali susidaryti pavojinga situacija.

ATATRANKOS PRIEŽASTYS IR KAIP OPERATORIUI JŲ IŠVENGTI (B, C, D ir E pav.)

Atatranka gali įvykti, kai pjovimo juostos viršūnė paliečia objektą arba kai medienos pjovos plyšys susiglaudžia ir suspaudžia pjūklo grandinę.

Prielieta su viršūne, gali įvykti staigi atgalinė reakcija: pjovimo juosta dėl atatrankos atšoka aukštyr ir atgal į operatorių (B pav.).

Kai pjūklo grandinė suspaudžiama pjovimo juostos viršūje, pjovimo juosta gali būti staiga blokšta atgal, operatoriaus link (C pav.).

Toliau pateiktas B ir C pav. aprašas.

B-1	Sukamoji atatranka
C-1	Tiesinė atatranka

Dėl bet kurios iš šių reakcijų galima nesuvaldyti pjūklo ir sunkiai susižaloti. Nepasikliaukite vien tik pjūkle sumontuotais saugos įtaisais.

Kaip grandininio pjūklo naudotojas, turite imtis reikiamų priemonių, kad pjovimo darbai vyktų be nelaimingų atsitikimų ir sužalojimų.

Atatranka vyksta netinkamai naudojant įrankį ir (arba) dėl netinkamų darbinių procedūrų arba sąlygų. Jos galima išvengti imantis toliau nurodytų atsargumo priemonių.

- **Tvirtai laikykite abiem rankomis, nykščiais ir kitais pirštais apimdami grandininio pjūklo rankenas. Kūno ir rankų padėtis turi būti tokia, kad atlaikytumėte atatranks jėgas (E pav.).** Imdamasis tinkamų atsargumo priemonių, operatorius gali suvaldyti atatranks jėgas. Nepaleiskite grandininio pjūklo.
- **Nepraraskite pusiausvyros siekdami per toli ir nepjaukite aukščiau pečių.** Taip lengviau išvengti atsitiktinio prielieta su viršūne ir lengviau suvaldyti grandininį pjūklą netikėtose situacijose.
- **Naudokite tik gamintojo nurodytas atsargines pjovimo juostas ir grandines.** Naudojant netinkamas atsargines pjovimo juostas ir grandines, gali trūkti grandinė ir (arba) įvykti atatranka.
- **Laikykitės gamintojo pateiktų nurodymų dėl grandininio pjūklo galandimo ir techninės priežiūros.** Sumažinus pjovimo gylio ribotuvo aukštį, gali pastiprėti atatranka.
- **Įsitikinkite, ar vietoje, kurioje pjaunate, nėra kliūčių.** Neleiskite pjovimo juostos viršūnei priiliesti rąsto, šakos, tvoros arba kitokios kliūties, su kuria galite susidurti naudodami pjūklą.
- **Visada pjaukite, kai įrankis veikia didžiausiu greičiu.** Iki galo nuspauskite gaiduką ir išlaikykite vienodą pjovimo greitį.
- **Suprasdami atatranks priežastis, galite sumažinti arba pašalinti netikėtumo elementą.** Visiškas netikėtumas gali lemti nelaimingą atsitikimą.
- **Visada tvirtai stovėkite ir išlaikykite pusiausvyrą.**
- **Stūmimas ir traukimas** – reakcijos jėga visada yra priešinga grandinės judėjimo kryptiai sąlyčio su mediena vietoje. Todėl operatorius turi būti pasiruošęs suvaldyti TRAUKIMĄ, kai pjaunama apatine pjovimo juostos dalimi, ir STŪMIMĄ, kai pjaunama viršutine juostos dalimi (F pav.).

APSAUGOS NUO ATATRANKOS ĮTAISAI ŠIAME GRANDININIAME PJŪKLE

Grandinės stabdys

Grandininiame pjūkle įtaisytas grandinės stabdys, kuris sustabdo variklį ir grandinės judėjimą įvykus atatranks. Grandinės stabdį gali suaktyvinti grandinės atatranks stabdymo rankenos judėjimas pirmyn, kai pjūklas dėl atatranks sukasi atgal. Jį taip pat gali suaktyvinti inercijos jėgos, susidaranti dėl staigaus stūmimo atgal.

⚠️ ĮSPĖJIMAS. Niekada nemodifikuokite ir nebandykite išjungti grandinės stabdžio.

Prieš dirbdami su grandininiu pjūkle, įsitikinkite, ar grandinės stabdys tinkamai veikia. Grandinės atatranks stabdymo rankena turi laisvai judėti pirmyn ir atgal.

Norėdami patikrinti grandinės stabdžio veikimą, atlikite toliau nurodytus veiksmus (G pav.).

- Padėkite grandininį pjūklą ant lygaus tuščio paviršiaus ir įsitikinkite, ar netoliese nėra jokių daiktų arba kliūčių, kurias pjovimo juosta ir grandinė galėtų paliesti.
- Atjunkite grandinės stabdį, patraukdami grandinės atatranks stabdymo rankeną priekinės rankenos link.
- Paleiskite grandininį pjūklą.
- Grandinės atatranks stabdymo rankeną pastumkite pjūklo priekio link. Tinkamai veikiantis rankinis stabdys iš karto sustabdo grandinės judėjimą. Jei grandinės stabdys veikia netinkamai, nenaudokite grandininio pjūklo tol, kol jo nesutaisys kvalifikuotas techninės priežiūros specialistas.

Toliau pateiktas G pav. aprašas.

G-1	Grandinės atatranks stabdymo rankena darbinėje padėtyje
G-2	Grandinės atatranks stabdymo rankena stabdymo padėtyje

⚠️ ĮSPĖJIMAS. Kaskart prieš naudodami įsitikinkite, ar grandinės stabdys tinkamai veikia.

⚠️ ĮSPĖJIMAS. Jei grandinės stabdys apsinešė medienos skiedromis, jis gali prasčiau veikti. Pasirūpinkite, kad įrankis visada būtų švarus.

Nuo atatranks sauganti pjūklo grandinė

Pjovimo gylio ribotuvai, esantys kiekvieno pjaunančiojo narelio priekyje, gali sumažinti atatranks reakcijos jėgą, neleisdami pjaunantiems nareliams per giliai įlįsti atatranks srityje. Grandinę keiskite tik originalia arba sertifikuota atsargine grandine.

⚠️ PERSPĖJIMAS. Pjūklo grandinės galandamos per visą jų naudojimo laikotarpį, todėl jos praranda dalį apsaugos nuo atatranks savybių. Dėl šios priežasties reikia imtis papildomų atsargumo priemonių.

PAPILDOMI ĮSPĖJIMAI

- Grandininis pjūklas skirtas laikyti abiem rankomis. Laikant viena ranka, gali būti sunkiai sužalotas operatorius, pagalbininkai ir (arba) pašaliniai asmenys.
- **Saugokitės, kad atsitiktinai nepaliestumėte nejudančios pjūklo grandinės arba pjovimo juostos bėgelių.** Jie gali būti labai aštrūs. Kai dirbate su pjūkle, tvarkote pjūklo grandinę arba pjovimo juostą, visada mūvėkite pirštines ir vilkėkite ilgas kelnes arba kojų apsaugas.
- **Niekada nedirbkite su grandininiu pjūkle, jei jis sugadintas, netinkamai sureguliuotas, ne visiškai arba nesaugiai surinktas.** Patikrinkite, ar atleidus gaiduką pjūklo grandinė sustoja.
- **Prieš pjaudami patikrinkite, ar ruošinyje nėra vinių, laido arba kitų pašalinių elementų.**
- **Kai pjaunate rąstus, pirmiausiai įtvirtinkite ruošinį.** Kai verčiate medžius arba genite augančius medžius, atpažinkite pavojingas šakas ir apsisaugokite nuo jų.
- **Pernelyg energingai arba netinkamai pjaunant, netinkamai naudojant grandininį pjūklą, gali pirma laiko susidėvėti pjovimo juosta, grandinė ir (arba) žvaigždutė, taip pat gali trūkti grandinė arba lūžti pjovimo juosta, įvykti atatranks, gali būti išsviesta grandinė arba pjaunama medžiaga.**
- **Niekada nenaudokite pjovimo juostos kaip svorto.** Ilgus pjovimo juostą, gali pirma laiko susidėvėti pjovimo juosta, grandinė ir (arba) žvaigždutė, taip pat gali trūkti grandinė arba lūžti pjovimo juosta, įvykti atatranks, gali būti išsviesta grandinė arba pjaunama medžiaga.
- **Pjunkite tik po vieną ruošinį.**
- **Naudokite tik EGO akumulatorius ir įkroviklius.**

AKUMULIATORIUS	ĮKROVIKLIS
BA1120E, BA2240E, BA2800, BA3360, BA4200	CH5500E, CH2100E

- **Nekraukite akumulatoriaus lyjant lietuvi arba drėgnoje vietoje.**
- **Suplanuokite darbą ir įsitikinkite, ar darbo vietoje nėra kliūčių.** Jei verčiate medį, numatykite bent vieną atsitraukimo kelią, nuo virstančio medžio.
- **Kai verčiate medžius, pašaliniams asmenims liepkite būti už medžio aukštį bent du tris kartus didesniu atstumu.**
- **Susidarius šioje instrukcijoje neaprašyti situacijai, būkite atsargūs ir vadovaukitės sveika nuovoka.** Pagalbos kreipkitės į EGO klientų aptarnavimo tarnybą.

PJOVIMO JUOSTA

Šiame pjūkle įtaisyta pjovimo juosta, kurios viršūnė yra mažo spindulio. Mažo spindulio viršūnės paprastai kelia mažesnę pavojų, kad įvyks atatranka. Keisdami pjovimo juostą, užsisi-sakykite šioje instrukcijoje nurodytą pjovimo juostą.

IŠSAUGOKITE ŠIĄ INSTRUKCIJĄ!

SPECIFIKACIJA

Modelis	CS1400E	CS1600E	
Įtampa	56 V ---	56 V ---	
Pjovimo juostos ilgis	350 mm	400 mm	
Grandinės žingsnis	9,5 mm	9,5 mm	
Pjovimo gylio ribotuvas	1,1 mm	1,1 mm	
Pjūklo grandinės tipas	90PX052X (Oregon)	90PX052X (Oregon) 90PX056X (Oregon)	
Pjovimo juostos tipas	144MLEA041 (Oregon)	144MLEA041 (Oregon) 164MLEA041 (Oregon)	
Grandinės alyvos bakelio talpa	150 ml	150 ml	
Svoris (be akumuliatoriaus ir grandinės užmovos)	3,81 Kg	3,86 Kg	
Išmatuotas garso galios lygis L_{WA}	96,73 dB(A) $K_{WA}=2,5$ dB(A)	96,4 dB(A) $K_{WA}=2,5$ dB(A)	
Garso slėgio lygis ties operatoriaus ausimi L_{PA}	85,73 dB(A) $K_{PA}=2,5$ dB(A)	85,4 dB(A) $K_{PA}=2,5$ dB(A)	
Garantuojamas garso galios lygis L_{WA} (pagal 2000/14/EB)	100 dB(A)	99 dB(A)	
Vibracija a_h	Galinė rankena	5,373 m/s ² K=1,5 m/s ²	3,222 m/s ² K=1,5 m/s ²
	Priekinė rankena	4,146 m/s ² K=1,5 m/s ²	3,081 m/s ² K=1,5 m/s ²

■ Nurodyta bendroji vibracijos vertė išmatuota taikant standartinį bandymo metodą, todėl pagal ją galima palyginti skirtingus įrenginius.

■ Nurodytą bendrąją vibracijos vertę taip pat galima naudoti pirminiam poveikio vertinimui.

PASTABA. Naudojant įrankį realiomis sąlygomis, sklaidžiamos vibracijos stiprumo vertė gali skirtis nuo nurodytos. Kad apsisaugotų dirbdamas realiomis sąlygomis, naudotojas turi mėvėti pirštines ir naudoti ausų apsaugos priemones.

PAKUOTĖS TURINIO SĄRAŠAS

DALIES PAVADINIMAS	SKAIČIUS
Grandininio pjūklo variklio blokas	1
Grandininis pjūklas	1
Pjovimo juosta	1
Grandinės užmova	1
Naudojimo instrukcija	1

APRAŠAS

PAŽINKITE GRANDININĮ PJŪKLĄ (A pav.)

- Gaidukas
- Blokuotės išjungimo mygtukas
- Akumuliatoriaus atlaisvinimo mygtukas
- Alyvos bakelio dangtelis
- Alyvos lygio patikrinimo langelis
- Pjūklo grandinė
- Pjovimo juosta
- Užraktas
- Išstūmimo mechanizmas
- Elektros kontaktai
- Grandinės atatrankos stabdymo rankena
- Grandinės įtempimo rankenėlė
- Priekinė rankena
- Galinė rankena
- Grandinės įtempimo varžtas
- Šoninis gaubtas
- Šoninio gaubto rankenėlė
- Grandinės užmova
- Tepimo skylutė
- Žvaigždutė pjovimo juostos viršūnėje

PASTABA. Grandinės atatrankos stabdymo rankena atlieka grandinės stabdžio suaktyvinimo svirties funkciją. Ji taip pat saugo nuo atsikišusių šakų ir saugo kairiąją ranką nuo prisilietimo prie pjūklo grandinės, kai ranka nuslysta nuo priekinės rankenos.

SURINKIMAS

⚠ ĮSPĖJIMAS. Jei kurios nors dalys pažeistos arba jų nėra, nenaudokite šio gaminio tol, kol tos dalys nebus pakeistos. Naudojant šį gaminį, kai dalys pažeistos arba jų trūksta, galima sunkiai susižaloti.

LT

⚠️ ĮSPĖJIMAS. Nebandykite modifikuoti šio gaminio arba sukurti priedų, nerekomenduojamų naudoti su šiuo grandininio pjūkle. Vėsi tokie pakeitimai ir modifikacijos laikomi netinkamu naudojimu. Jie gali lemti pavojingas aplinkybes, dėl kurių galima sunkiai susižaloti.

⚠️ ĮSPĖJIMAS. Norėdami išvengti atsitiktinio paleidimo, kuris gali lemti sunkų sužalojimą, visada išimkite akumuliatorių iš įrankio, kai montuojate dalis.

PJOVIMO JUOSTOS IR GRANDINĖS SUMONTAVIMAS / PAKEITIMAS

⚠️ ĮSPĖJIMAS. Kai tvarkote pjovimo juosta ir grandinę, visada mūvėkite pirštines. Šie komponentai yra aštrūs ir juose gali būti šerpetų.

1. Padėkite grandininio pjūklo variklio bloką ant šono, kad šoninis gaubtas būtų nukreiptas aukštyn (H pav.).
2. Pasukę šoninio gaubto rankenėlę prieš laikrodžio rodyklę, nuimkite šoninį gaubtą, tada kiek įmanoma atlaisvinkite grandinės įtempimo rankenėlę.
3. Padėkite naujos pjūklo grandinės kilpą ant lygaus paviršiaus ir ištiesinkite sulenktas vietas (I pav.).
4. Įstatykite grandininės varančiuosius narelius į pjovimo juostos griovelį ir palikite grandinės kilpą pjovimo juostos gale (J pav.).
5. Laikykite grandinę tokioje padėtyje ant pjovimo juostos ir uždėkite kilpą ant žvaigždutės variklio bloke.
6. Užmaukite pjovimo juostos angą ant lygiavimo jungių taip, kad įtempimo reguliavimo kaištis įsistatytų į apatinę skylę pjovimo juostos gale (L1 pav.).

PASTABA. Pjūklo grandinėje išgraviruotos mažos kryptių rodyklės. Dar viena krypties rodyklė išlieta korpuse. Kai dedate pjūklo grandinę ant žvaigždutės, įsitinkite, ar pjūklo grandinėje esančių rodyklių ir korpuse esančios rodyklės rodomos kryptys sutampa. Jei kryptys priešingos, apverskite pjūklo grandinės ir pjovimo juostos mazgą (L2 pav.).

7. Uždėkite šoninį gaubtą ir šiek tiek priveržkite šoninio gaubto rankenėlę.
8. Kilstelėkite pjovimo juostos viršūnę, kad patikrintumėte, ar nėra laisvumo (K pav.). Paleiskite pjovimo juostos viršūnę ir pasukite grandinės įtempimo rankenėlę pagal laikrodžio rodyklę. Kartokite šį veiksmą tol, kol neliks laisvumo.
9. Patikimai priveržkite šoninio gaubto rankenėlę, kad pjūklo grandinė būtų tinkamai įtempta prieš naudojant pjūklą.

Toliau pateiktas J ir L pav. parodytų dalių aprašas.

J-1	Grandinės varantieji nareliai	L-2	Įtempimo reguliavimo kaištis
J-2	Pjovimo juostos griovelis	L-3	Pjovimo juostos anga
L-1	Lygiavimo jungė	L-4	Žvaigždutė

PASTABA. Norėdami prailginti pjovimo juostos naudojimo trukmę, retkarčiais ją apverskite.

PASTABA. Jei grandinė pernelyg įtempta, ji nesisuka. Šiek tiek atlaisvinkite šoninio gaubto rankenėlę ir vieną kartą pasukite įtempimo rankenėlę iš dešinės į kairę. Pakelkite pjovimo juostos viršūnę ir vėl patikimai priveržkite šoninio gaubto rankenėlę. Patikrinkite, ar grandinė sukasi nestrėgdama.

GRANDINĖS ĮTEMPIMO REGULIAVIMAS

- Prieš reguliuodami grandinės įtempimą, išjunkite variklį ir išimkite akumuliatorių. Atlaisvinkite šoninio gaubto rankenėlę. Sukite grandinės įtempimo rankenėlę pagal laikrodžio rodyklę, kad įtemptumėte grandinę. Išsamesnės informacijos žr. skyriuje **PJOVIMO JUOSTOS IR GRANDINĖS PAKEITIMAS**.
- Atvėsusi grandinė yra tinkamai įtempta, kai nėra laisvumo pjovimo juostos apačioje ir kai grandinė gerai priglundusi, tačiau ją galima pasukti ranka ir ji nestrėngia. Jei varančiųjų narelių plokštumos neįsistatytos į pjovimo juostos griovelį, grandinę reikia įtempti iš naujo.
- Įprastai dirbant su pjūkle, pakyla grandinės temperatūra. Įkaitusios grandinės, kuri yra tinkamai įtempta, varantieji nareliai maždaug 1,3 mm išlenda iš pjovimo juostos griovelio (M pav.).

PASTABA. Naujos grandinės dažnai išsitempia. Dažnai patikrinkite grandinės įtempimą ir, jei reikia, įtempkite.

PASTABA. Jei įtemptiama įkaitusi grandinė, atvėsusi ji gali būti įtempta per stipriai. Prieš naudodami kitą kartą, patikrinkite atvėsusios grandinės įtempimą.

NAUDOJIMAS

⚠️ ĮSPĖJIMAS. Net ir susipažinę su šiuo gaminiu, būkite atsargūs. Atminkite, kad net ir sekundės dalį trunkantis neatsargumas gali lemti sunkų sužalojimą.

⚠️ ĮSPĖJIMAS. Visada užsidėkite apsauginius akinius su šonine apsauga. To nepadarus, išsviesti daiktai gali pataikyti į akis arba galite kitaip sunkiai susižaloti.

⚠ ĮSPĖJIMAS. Nenaudokite jokių papildomų įtaisų arba priedų, kurių nerekomenduoja šio gaminio gamintojas. Naudojant nerekomenduojamus papildomus įtaisus arba priedus, galima sunkiai susižaloti.

⚠ ĮSPĖJIMAS. Norėdami išvengti atsitiktinio paleidimo, kuris gali lemti sunkų sužalojimą, visada išimkite akumuliatorių iš įrankio, kai montuojate dalis, reguliuojate, valote arba nenaudojate įrankio.

Kaskart prieš naudodami, apžiūrėkite visą gaminį – ar nėra pažeistų, trūkstančių arba atsilaisvinusių dalių, pvz., sraigčių, varžlių, varžtų, dangtelių ir t. t. Tvirtai priveržkite visus fiksuotus bei dangtelius ir nenaudokite gaminio, kol nepakeisite trūkstančių arba pažeistų dalių.

PASKIRTIS

Šiuo gaminiu galima įprastai versti medžius, genėti nuverstus ir augančius medžius, pjaustyti pjautinę medieną ir rąstus.

PASTABA. Šį įrankį reikia naudoti tik pagal nurodytą paskirtį. Naudojimas bet koku kitu tikslu laikomas netinkamu naudojimu.

PJOVIMO JUOSTOS IR GRANDINĖS ALYVOS ĮPYLIMAS

⚠ ĮSPĖJIMAS. Nerūkykite ir nenaudokite ugnies ar liepsnos arti alyvos arba grandininio pjūklo. Alyva gali išsilieti ir sukelti gaisrą.

PASTABA. Įsigytas naujas grandininis pjūklas neužpildytas alyva. Prieš naudojant, bakelį būtina pripildyti alyvos. Naudojant įrankį, grandinė automatiškai sutepama grandinės alyva.

1. Padėkite grandininį pjūklą ant šono, kad bakelio dangtelis būtų nukreiptas aukštyn.
2. Nuvalykite dangtelį ir vietas aplink jį, tada nuimkite jį, sukdami prieš laikrodžio rodyklę (N pav.).
3. Atsargiai pilkite specialią alyvą į bakelį tol, kol jos lygis pasieks pildymo angos kakliuko apačią.
4. Nušluostykite alyvos perteklių ir uždėkite dangtelį.

PASTABA. Pastačius į statmeną padėtį, alyva turi apsemti patikrinimo langelį. Kai patikrinimo langelyje nebematyti alyvos, nedelsdami nustokite naudoti įrankį ir papildykite alyvos.

AKUMULIATORIAUS ĮDĖJIMAS / IŠĖMIMAS

Prieš naudodami pirmą kartą, visiškai įkraukite.

Įdėjimas (O pav.)

Sulygiuokite akumuliatoriaus briaunas su tvirtinimo grioveliais ir spauskite akumuliatorių žemyn tol, kol išgirsite spragtelėjimą.

Išėmimas (P pav.)

Paspauskite akumuliatoriaus atlaisvinimo mygtuką ir ištraukite akumuliatorių.

GRANDININIO PJŪKLO PALEIDIMAS / IŠJUNGIMAS

PASTABA. Prieš paleisdami grandininį pjūklą, patikrinkite alyvos lygį, grandinės dantukų aštrumą, ar tinkamai veikia atatranks stabdymo rankena. Taip pat tvirtai atsistokite ir laikykite pjūklą tinkamame aukštyje virš žemės.

Paleidimas

1. Patraukite grandinės atatranks stabdymo rankeną priekinės rankenos link, į darbinę padėtį (G pav.).
2. Abiem rankomis tvirtai suimkite priekinę ir galinę rankenas.
3. Pirmiausia paspauskite blokuotės išjungimo mygtuką, tada paspauskite gaiduką, kad paleistumėte įrankį (Q pav.). Norėdami tęsti darbą, atleiskite blokuotės išjungimo mygtuką ir toliau laikykite paspaudę gaiduką.

⚠ ĮSPĖJIMAS. Nebandykite paleisti pjūklo, kai pjūklo grandinė įstatyta į įpjovą.

Išjungimas

1. Atleiskite gaiduką.
2. Pastumkite grandinės atatranks stabdymo rankeną pirmyn į stabdymo padėtį, kad įjungtumėte grandinės stabdį (G pav.).

⚠ ĮSPĖJIMAS. Darydami pertraukas arba baigę dirbti, visada išimkite akumuliatorių iš grandininio pjūklo.

Tinkamas rankenų laikymas (E pav.)

- Mūvėkite neslidžias pirštines, užtikrinančias stipriausią suėmimą ir apsaugą.
- Padėję pjūklą ant tvirtu lygaus paviršiaus, tvirtai laikykite jį abiem rankomis.
- Kairiąja ranka visada laikykite priekinę rankeną, o dešiniąja – galinę rankeną.
- Pirštai turi apimti rankeną. Priekinės rankenos apačioje turi būti nykštys.

⚠ ĮSPĖJIMAS. Niekada nelaikykite galinės rankenos kairiąja ranka (nesukryžiuokite rankų) ir nestovėkite taip, kad kūnas arba ranka kirstų grandinės plokštumą (R pav.).

Tinkama stovėseną pjaunant (S pav.)

- Reikia abiem kojomis stovėti ant tvirto pagrindo ir tolygiai paskirstyti kūno svorį ant jų.
- Kairioji ranka turi būti ištiesta (alkūnė nėra kiek nesulenktą). Tai padeda atlaikyti atitransos sukuriamas jėgas.
- Kūnas visada turi būti grandinės plokštumos kairėje pusėje.

NURODYMAI DĖL TINKAMŲ METODŲ, TAIKYTINŲ ĮPRASTAI VERČIANT MEDŽIUS, GENINT NUVERSTUS MEDŽIUS IR DARANT SKERSINIUS PJŪVIUS

▲ ĮSPĖJIMAS. Kai variklis paleistas, visada tvirtai stovėkite ir laikykite pjūklą abiem rankomis.

▲ ĮSPĖJIMAS. Jei pjūklo grandinė sustoja dėl jos suspaudimo pjaunant, atleiskite gaiduką, ištraukite grandinę ir pjovimo juosta iš medienos, tada vėl paleiskite grandininį pjūklą.

▲ ĮSPĖJIMAS. Jei pjūklo grandinė apsinėšė pjuvenomis, nebraukite per ją ranka. Netikėtai pradėjęs veikti, grandininis pjūklas gali sunkiai sužaloti. Spauskite pjūklo grandinę į medį ir stumdykite pjūklą pirmyn bei atgal, kad pjuvenos pasišalintų. Visada išimkite akumuliatorių prieš valydami. Tvarkydami pjūklo grandinę, mūvėkite tvirtas apsaugines pirštines.

▲ ĮSPĖJIMAS. Niekada nepaleiskite grandininio pjūklo, kai jis liečia medieną. Prieš pradėdami pjauti medieną, visada palaukite, kol grandininis pjūklas pasieks didžiausią greitį.

Medžio vertimas

- Kai du arba daugiau žmonių vienu metu pjauna rąstus ir verčia medžius, medžių vertimo ir rąstų pjovimo vietas turi skirti atstumas, kuris yra bent du kartus didesnis už pjaunamo medžio aukštį. Medžių negalima versti taip, kad kiltų pavojus žmonėms, būtų kliudomos elektros perdavimo linijos arba daroma žala nuosavybei. Jei medis kliudė elektros perdavimo linijai, reikia nedelsiant informuoti elektros perdavimo sistemos operatorių.
- Grandininio pjūklo operatorius turi stovėti aukštesnėje reljefo vietoje, nes nuverstas medis dažniausiai nurieda arba nuslysta žemyn.
- Prieš pradėdami pjauti, suplanuokite ir, jei reikia, išvalykite atsitraukimo kelią. Einant atsitraukimo keliu, turi būti įstrižai tolstama nuo tikėtinos medžio vartimo krypties, kaip parodyta T pav.
- Prieš pradėdami versti medį, atsižvelkite į esamą medžio pasyvimą, didesnių šakų buvimą vietą ir vėjo kryptį, kad nuspręstumėte, į kurią pusę medis virs.

- Pašalinkite purvą, akmenis, atsilupusią žievę, vėnis, kabes ir laidus nuo medžio.

Nukreipimo išpjova

Kaip parodyta U pav., padarykite medžio vartimo krypties statmeną nukreipimo išpjovą, kurios gylis 1/3 medžio skersmens. Pirmiausiai padarykite apatinę horizontalią išpjovą. Ji padės išvengti pjūklo grandinės arba pjovimo juostos prispaudimo darant antrą išpjovą.

Galinė nuvertimo išpjova

- Padarykite galinę nuvertimo išpjovą, kuri būtų bent 50 mm aukščiau nei horizontali išpjova, kaip parodyta U pav. Galinė nuvertimo išpjova turi būti lygiagreči su horizontalia išpjova. Galinę nuvertimo išpjovą padarykite tokio gylio, kad liktų pakankamai medienos, kuri atliktų lanksto funkciją. Lanksto funkciją atliekanti medžio dalis neleidžia medžiui pasisukti ir virsti netinkama kryptimi. Neperpjaukite lanksto funkciją atliekančios dalies.
- Kai nuvertimo išpjova priartėja prie lanksto funkciją atliekančios dalies, medis turi pradėti virsti. Jei yra tikimybė, kad medis virs netinkama kryptimi arba pasivirs atgal ir prispaus pjūklo grandinę, nustokite daryti galinę nuvertimo išpjovą, mediniais, plastikiniais arba aliumininiais pleištais išplėskite išpjovą ir nuverskite medį reikiama kryptimi.
- Kai medis pradeda virsti, ištraukite grandininį pjūklą iš išpjovos, išjunkite variklį, padėkite grandininį pjūklą ir atsitraukite suplanuotu atsitraukimo keliu. Saugokitės krintančių viršutinių šakų ir žiūrėkite, kur žengiate.

Toliau pateiktas T ir U pav. parodytų elementų aprašas.

T-1	Vertimo kryptis	U-2	Nukreipimo išpjova
T-2	Saugus atsitraukimo kelias	U-3	Galinė nuvertimo išpjova
U-1	Vartimo kryptis	U-4	Lanksto funkciją atliekanti dalis

Nuversto medžio genėjimas

Nuversto medžio genėjimas – tai šakų pašalinimas nuo nuversto medžio. Genėdami nuverstą medį, nenupjaukite didesnių apatinių šakų, kad jos liktų kamieną virš žemės. Smulkias šakas nupjaukite vienu pjūviu, kaip parodyta V pav. Įtemptas šakas reikia pjauti iš apačios į viršų, kad jos neprispaustų grandininio pjūklo.

Rąsto pjovimas

- Rąsto pjovimas – tai rasto pjovimas į atskirus gabalus. Svarbu įsitikinti, ar tvirtai stovite ir ar kūno svoris tolygiai paskirstytas ant abiejų kojų. Jei įmanoma, rąstą reikia pakelti ir atremti šakomis, rąstais arba trinkomis. Laikykites paprastų nurodymų, kad būtų lengviau pjauti.

- Kai rąstas atremtas per visą ilgį, kaip parodyta W1 pav., jį reikia pjauti iš viršaus.
- Kai rąstas atremtas tik viename gale, kaip parodyta W2 pav., padarykite įpjovą iš apačios, kurios gylis 1/3 skersmens. Tada darykite baigiamąjį pjūvį iš viršaus, kol pasieksite pirmąjį pjūvį.
- Kai rąstas atremtas abiejuose galuose, kaip parodyta W3 pav., padarykite įpjovą iš viršaus, kurios gylis 1/3 skersmens. Tada darykite baigiamąjį pjūvį iš apačios (per likusias 2/3 skersmens), kol pasieksite pirmąjį pjūvį.
- Kai pjaunate nuožulnioje vietoje, visada stovėkite aukščiau nei guli rąstas, kaip parodyta X pav.
- Jei darydami pjūvį norite išlaikyti visišką kontrolę, pjūvio pabaigoje silpniau spauskite, tačiau tvirtai laikykite grandininio pjūklo rankenas. Neleiskite grandinei paliesti žemės. Kai nupjaunate, prieš patraukdami grandininį pjūklą, palaukite, kol pjūklo grandinė sustos. Visada išjunkite variklį prieš eidami prie kito medžio.

TECHNINĖ PRIEŽIŪRA

⚠ ĮSPĖJIMAS. Atlikdami techninės priežiūros darbus, naudokite tik identiškas atsargines dalis. Naudojant bet kokias kitas dalis, gali kilti pavojus arba sugesti gaminys.

⚠ ĮSPĖJIMAS. Atlikdami grandininio pjūklo techninės priežiūros darbus, visada mūvėkite apsaugines pirštines.

⚠ ĮSPĖJIMAS. Išimkite akumuliatorių iš grandininio pjūklo prieš jį tikrinami, valydami arba prieš atlikdami jo techninės priežiūros darbus, kad išvengtumėte pavojaus sunkiai susižaloti. Akumulatorinis įrankis su įdėtu akumuliatoriumi nuolat maitinamas, todėl gali būti atsitiktinai paleistas.

⚠ ĮSPĖJIMAS. Kai valote grandininį pjūklą, NIEKADA neįmerkite jo į vandenį arba kitą skystį.

⚠ ĮSPĖJIMAS. Jokiu būdu neleiskite stabdžių skysčiui, benziniui, naftos produktams, skvarbiai alyvai ir panašioms medžiagoms patekti ant plastikinių dalių. Chemikalai gali sugadinti, susilpninti arba suardyti plastiką. Dėl to galite sunkiai susižaloti.

VALYMAS

- Kaskart panaudoję, minkštu šepetėliu nuvalykite nešvarumus nuo grandinės ir pjovimo juostos. Grandininio pjūklo paviršių valykite švaria šluoste, sudrėkinta silpnu muilo tirpalu.
- Nuimkite šoninį gaubtą ir minkštu šepetėliu pašalinkite nešvarumus nuo pjovimo juostos, pjūklo grandinės, žvaigždutės ir šoninio gaubto.
- Keisdami pjūklo grandinę, visada išvalykite medienos skiedras, pjuvenas ir nešvarumus iš pjovimo juostos griovelio.

PJOVIMO JUOSTOS IR GRANDINĖS PAKEITIMAS

⚠ ĮSPĖJIMAS. Niekada nelieskite ir nereguliuokite grandinės, kai variklis paleistas. Pjūklo grandinė yra labai aštri.

PASTABA. Pjovimo juosta ir grandinę visada keiskite pjovimo juostos ir grandinės deriniu, nurodytu šioje instrukcijoje.

Susidėvėjusios pjovimo juostos ir grandinės išmontavimas (Y pav.)

1. Išimkite akumuliatorių, palaukite, kol pjūklas atvės, tada priveržkite alyvos bakelio dangtelį.
2. Padėkite grandininį pjūklą ant šono, kad šoninis gaubtas būtų nukreiptas aukštyn.
3. Mūvėkite pirštines. Pasukę šoninio gaubto rankenėlę prieš laikrodžio rodyklę, nuimkite šoninį gaubtą. Sausa šluoste nuvalykite šoninį gaubtą.

PASTABA. Tuo pačiu galite patikrinti, ar varančioji žvaigždutė nėra pernelyg susidėvėjusi arba pažeista.

Naujos pjovimo juostos ir grandinės sumontavimas

Vadovaukitės nurodymais, pateiktais šios naudojimo instrukcijos skyriuje **PJOVIMO JUOSTOS IR GRANDINĖS SUMONTAVIMAS / PAKEITIMAS**.

Grandinės įtempimo reguliavimas

Vadovaukitės nurodymais, pateiktais šios naudojimo instrukcijos skyriuje **GRANDINĖS ĮTEMPIMO REGULIAVIMAS**.

GRANDINĖS TECHNINĖ PRIEŽIŪRA

⚠ ĮSPĖJIMAS. Kai tvarkote pjūklo grandinę, visada mūvėkite pirštines. Šie komponentai yra aštrūs ir juose gali būti šerpetų.

Šiam pjūklui naudokite nuo atatrakos saugančias grandines. Tinkamai prižiūrint šią greito pjovimo grandinę, ji sumažina atatraką.

Tinkamai išgaląsta grandinė leidžia be didelių pastangų ir labai silpnai spaudžiant pjauti medį.

Niekada nenaudokite atšipusios arba pažeistos grandinės. Atšipę pjūklo grandinės pjaunantieji nareliai lemia didesnę fizinę įtampą, stipresnę vibraciją, prastus pjovimo rezultatus ir spartesnę dėvėjimąsi.

Kad grandinė pjautų sklandžiai ir greitai, ją reikia tinkamai prižiūrėti. Grandinę reikia pagaląsti, kai medžio pjuvenos tampa smulkios ir panašios į miltelius, kai pjaunant reikia stipriai spausti grandinę į medį arba kai grandinė pjauna netiesiai. Atlikdami grandinės techninės priežiūros darbus, atsižvelkite į toliau nurodytus dalykus.

- Netinkamas šoninės plokštelės galandimo kampas gali padidinti pavojų, kad įvyks stipri atatranka.
- Pjovimo gylio ribotuvo tarpelis. Per mažas padidina tikimybę, kad įvyks atatranka. Nepakankamai mažas sumažina pjovimo našumą.
- Jei pjaunamųjų narelių dantukai kliudė kietą daiktą, pvz., vinis arba akmenis, arba atbuko nuo purvo ir smėlio, esančio ant medienos, pasirūpinkite, kad grandinę pagalaštų kvalifikuotas techninės priežiūros specialistas.

PASTABA. Keisdami grandinę, patikrinkite, ar varančioji žvaigždutė nesusidėvėjusi ir nepažeista. Jei nurodytose vietose yra susidėvėjimo arba pažeidimo požymių, pasirūpinkite, kad varančiąją žvaigždutę pakeistų kvalifikuotas techninės priežiūros specialistas.

PJOVIMO JUOSTOS TECHNINĖ PRIEŽIŪRA

Kai pjovimo juostoje atsiranda susidėvėjimo požymių, apskukite ją pjūkle, kad ji dėvėtusi tolygiau ir kad kuo labiau prailgintumėte jos naudojimo trukmę. Kiekvieną dieną, kai dirbate su įrankiu, reikia nuvalyti pjovimo juostą ir patikrinti, ar ji nesusidėvėjusi ir nepažeista. Pjovimo juostos bėgelių šiaušimasis arba šerpetų atsiradimas juose yra normalūs juostos dėvėjimosi požymiai. Atsiradusius tokius nelygumus galima pašalinti su dilde. Pjovimo juostą, kurioje yra toliau nurodytų defektų, reikia pakeisti.

- Susidėvėjimas pjovimo juostos bėgelyje, leidžiantis grandinei pakrypti.
- Įlenkta pjovimo juosta.
- Įtrūkę arba sulūžę bėgeliai.
- Išsiplėtę bėgeliai.

Pjovimo juostos viršūnėje yra žvaigždutė (A-20 pav.). Žvaigždutę reikia kas savaitę sutepti tepimo švirškštu, kad prailgintumėte pjovimo juostos naudojimo trukmę. Kas savaitę tepimo švirškštu įleiskite grandinės alyvos į tepimo skylutę (A-19 pav.). Pasukite pjovimo juostą ir patikrinkite, ar tepimo skylutėse ir grandinės griovelyje nėra nešvarumų.

TRANSPORTAVIMAS IR LAIKYMAS

- Nepalikite laikymo vietoje ir netransportuokite grandininio pjūklo, kai jis paleistas. Visada išimkite akumuliatorių prieš palikdami laikymo vietoje arba transportuodami.
- Visada uždėkite užmovą ant pjovimo juostos prieš palikdami grandininį pjūklą laikymo vietoje arba transportuodami jį. Būkite atsargūs, kad nepaliestumėte aštrių grandinės dantukų.
- Kruopščiai nuvalykite grandininį pjūklą prieš palikdami jį laikymo vietoje. Grandininį pjūklą laikykite patalpoje, sausoje, rakinamoje ir (arba) vaikams nepasiekiamoje vietoje.
- Laikykite toliau nuo edančiųjų medžiagų, pvz., sodo chemikalų ir druskų ledui tirpdyti.

Aplinkos apsauga



Neišmeskite elektros įrangos, akumuliatorių / įkroviklio ir baterijų / akumuliatorių su buitiniemis atliekomis!

Pagal Europos Parlamento ir Tarybos direktyvas 2012/19/EB ir 2006/66/EB nenaudojama elektros bei elektronikos įranga ir nenaudojami arba sugedę akumuliatoriai ir (arba) baterijos turi būti surenkami atskirai.

Jei elektriniai prietaisai išmetami į užkasamuosius arba atvirouosius sąvartynus, kenksmingos medžiagos gali prisisunkti iki gruntinio vandens, patekti į mitybos grandinę ir kenkti jūsų sveikatai bei gerovei.

EB ATITIKTIES DEKLARACIJA



Mes, CHERVON EUROPE LTD.

47 CASTLE STREET, READING, RG1 7SR, UNITED KINGDOM

Pareiškiamo, kad gaminys – **akumuliatorinis grandininis pjūklas CS1400E / CS1600E su 56 V ličio jonų akumuliatoriumi** – atitinka esminius sveikatos ir saugos reikalavimus, išdėstytus šiose direktyvose:

2006/42/EB, 2004/108/EB, 2011/65/ES, 2000/14/EB

Standartai ir techninės specifikacijos, kuriais remiamasi:

EN 60745-1, EN 60745-2-13, EN 55014-1, EN 55014-2

	CS1400E	CS1600E
Išmatuotas garso galios lygis:	96,73 dB(A)	96,4 dB(A)
Garantuojamas garso galios lygis:	100 dB(A)	99 dB(A)

Peter Melrose
„Chervon Europe“ viceprezidentas

Dong Jianxun
„Chervon“ kokybės vadovas

* (CHERVON) įgaliotasis atstovas ir už techninę dokumentaciją atsakingas asmuo)

01/01/2016

Notifikuotosios įstaigos pavadinimas, adresas ir identifikacijos numeris:

TüV Rheinland LGA Products GmbH; Tillystra 2 D - 90431 Nürnberg, Germany; 0197.

EB tipo-tyrimo sertifikato numeris:

BM 50326004 0001 (CS1600E)

BM 50296271 0001 (CS1400E)

TRIKIŲ ŠALINIMAS

⚠ ĮSPĖJIMAS. Kai atliekate grandininio pjūklo techninės priežiūros darbus, visada apsaugokite rankas, užsimaudami tvirtas pirštines. Visada išimkite akumuliatorių, kai atliekate grandininio pjūklo techninės priežiūros darbus arba jį transportuojate.

PROBLEMA	PRIEŽASTIS	SPRENDIMAS
Neveikia variklis	<ul style="list-style-type: none"> ■ Akumuliatorius neprijungtas prie grandininio pjūklo. ■ Nėra elektrinio kontakto tarp pjūklo ir akumuliatoriaus. ■ Akumuliatorius visiškai išsekęs. ■ Akumuliatorius arba grandininis pjūklas pernelyg įkaitęs. ■ Prieš paspaudžiant gaiduką, nepaspaudžiamas blokuotės išjungimo mygtukas. ■ Įjungtas grandinės stabdys. ■ Pjūklo grandinė įstrigo medienoje. ■ Nešvarumai pjovimo juostos griovelyje. ■ Nešvarumai šoniniame gaubte. 	<ul style="list-style-type: none"> ■ Prijunkite akumuliatorių prie grandininio pjūklo. ■ Išimkite akumuliatorių, patikrinkite kontaktus ir vėl įdėkite akumuliatorių. ■ Įkraukite akumuliatorių. ■ Palaukite, kol akumuliatorius arba grandininis pjūklas atvės iki žemesnės nei 67 °C temperatūros. ■ Paspauskite ir laikykite paspaudę blokuotės išjungimo mygtuką, tada paspauskite gaiduką, kad paleistumėte grandininį pjūklą. ■ Patraukite grandinės atatranks stabdymo rankeną atgal, priekinės rankenos link. ■ Atleiskite gaiduką, ištraukite grandinę ir pjovimo juostą iš medienos, tada vėl paleiskite grandininį pjūklą. ■ Spauskite pjūklo grandinę į medį ir stumdykite pjūklą pirmyn bei atgal, kad pjūvenos pasišalintų. ■ Išimkite akumuliatorių, nuimkite šoninį gaubtą ir išvalykite nešvarumus.
Variklis veikia, tačiau grandinė nesisuka	<ul style="list-style-type: none"> ■ Grandinė nesusikabina su varančiaja žvaigždute. 	<ul style="list-style-type: none"> ■ Iš naujo uždėkite grandinę, įsitikinkite, ar grandinės varantieji nareliai visiškai uždėti ant žvaigždutės.
Neįsijungia grandinės stabdys	<ul style="list-style-type: none"> ■ Nešvarumai neleidžia grandinės atatranks stabdymo rankenai laisvai judėti. ■ Galimas grandinės stabdžio gedimas. 	<ul style="list-style-type: none"> ■ Nuvalykite nešvarumus nuo išorinio grandinės stabdžio mechanizmo. ■ Kreipkitės į EGO klientų aptarnavimo tarnybą.

PROBLEMA	PRIEŽASTIS	SPRENDIMAS
Grandininis pjūklas netinkamai pjauna	<ul style="list-style-type: none"> ■ Nepakankamai įtempta grandinė. ■ Atšipusi grandinė. ■ Grandinė uždėta atvirkščiai. ■ Susidėvėjusi grandinė. ■ Sausa arba per daug įtempta grandinė. ■ Grandinė neįstatyta į pjovimo juostos griovelį. 	<ul style="list-style-type: none"> ■ Iš naujo sureguliuokite įtempimą, vadovaudamiesi skyriumi GRANDINĖS ĮTEMPIMO REGULIAVIMAS. ■ Pagaląskite grandinės pjaunančiuosius narelius, vadovaudamiesi skyriumi KAIP PAGALĄSTI PJAUNANČIUOSIUS NARELIUS. ■ Iš naujo uždėkite pjūklo grandinę, vadovaudamiesi skyriumi PJOVIMO JUOSTOS IR GRANDINĖS PAKEITIMAS. ■ Pakeiskite grandinę, vadovaudamiesi skyriumi PJOVIMO JUOSTOS IR GRANDINĖS PAKEITIMAS. ■ Patikrinkite alyvos lygį. Jei reikia, pripildykite alyvos bakelį. ■ Iš naujo uždėkite pjūklo grandinę, vadovaudamiesi skyriumi PJOVIMO JUOSTOS IR GRANDINĖS PAKEITIMAS.
Pjovimo juosta ir grandinė įkaista bei rūksta	<ul style="list-style-type: none"> ■ Patikrinkite, ar grandinė nėra pernelyg įtempta. ■ Grandinės alyvos bakelis yra tuščias. ■ Nešvarumai pjovimo juostos griovelyje. 	<ul style="list-style-type: none"> ■ Iš naujo įtempkite pjūklo grandinę. Žr. skyrių GRANDINĖS ĮTEMPIMO REGULIAVIMAS. ■ Įpilkite pjovimo juostos ir grandinės alyvos. ■ Išvalykite nešvarumus iš griovelio.

GARANTIJA

EGO GARANTINIS POLISAS

Norėdami sužinoti visas „EGO“ garantinio poliso sąlygas, apsilankykite interneto svetainėje egopowerplus.com.

IZLASIET VISUS NORĀDĪJUMUS!



IZLASIET UN IZPROTIET LIETOŠANAS INSTRUKCIJU

⚠ Citi riski! Cilvēkiem, kuri izmanto tādas elektroniskās ierīces kā elektrokardiostimulatorus, pirms šī izstrādājuma lietošanas jākonsultējas ar savu ārstu. Elektriskā aprīkojuma izmantošana sirds elektrokardiostimulatora tuvumā var radīt stimulatora darbības traucējumus vai kļūmes.

⚠ BRĪDINĀJUMS. Lai nodrošinātu drošu un uzticamu darbību, visi labošanas un daļu nomaiņas darbi jāveic kvalificētam servisa tehnikam.

DROŠĪBAS SIMBOLI

Drošības simboli ir paredzēti, lai pievērstu jūsu uzmanību iespējamiem apdraudējumiem. Veltiet šiem drošības simboliem un to paskaidrojumiem pietiekamu uzmanību un izpratni. Brīdinājuma simboli paši par sevi nenovērš nekādus apdraudējumus. Tajos ietvertie norādījumi un brīdinājumi neaizstāj atbilstošu negadījumu novēršanas pasākumu īstenošanu.

⚠ BRĪDINĀJUMS. Pirms šī instrumenta lietošanas izlasiet un izprotiet visus šajā lietotāja rokasgrāmatā ietvertos drošības norādījumus, tostarp visus drošības brīdinājuma simbolus, piemēram, „BRIESMAS”, „BRĪDINĀJUMS” un „UZMANĪBU”. Turpmāk uzskaitīto drošības norādījumu neievērošana var izraisīt elektriskā strāvas trieciena risku, ugunsgrēku un/vai nopietnus ievainojumus.

SIMBOLA NOZĪME

DROŠĪBAS BRĪDINĀJUMA SIMBOLS Norāda uz **BRIESMĀM, BRĪDINĀJUMU** vai aspektiem, kam jāpievērš **UZMANĪBA**. Var tikt izmantots kopā ar citiem simboliem vai piktogrammām.





⚠ BRĪDINĀJUMS. Jebkura elektroinstrumenta lietošanas laikā iespējamas situācijas, kur svešķermeņi var tikt sviesti jums acīs, kā rezultātā varat gūt nopietnas acu traumas. Pirms elektroinstrumenta ieslēgšanas vienmēr uzvelciet aizsargbrilles vai aizsargbrilles ar sānu aizsargiem un, ja nepieciešams, pilnu sejas aizsargmasku. Mēs iesakām Wide Vision aizsargmasku lietošanai pār brillēm vai standarta aizsargbrillēm ar sānu aizsargiem.

DROŠĪBAS NORĀDĪJUMI

Šajā lapaspusē ir parādīti un aprakstīti drošības simboli, kuri var parādīties uz šī izstrādājuma. Pirms iekārtas montāžas un lietošanas izlasiet, izprotiet un ievērojiet visus uz iekārtas dotos norādījumus.

	Drošības brīdinājums	Norāda uz iespējamu ievainojumu gūšanas risku.
	Izlasiet lietotāja rokasgrāmatu	Lai samazinātu ievainojumu gūšanas risku, lietotājam jāizlasa lietotāja rokasgrāmata.
	Lietojiet aizsargbrilles	Šī izstrādājuma darbināšanas laikā vienmēr valkājiet aizsargbrilles vai aizsargbrilles ar sānu aizsargiem un pilnu sejas aizsargmasku.
	Lietojiet dzirdes aizsarglīdzekļus	Šī izstrādājuma darbināšanas laikā vienmēr lietojiet dzirdes aizsarglīdzekļus.
	Lietojiet galvas aizsarglīdzekļus.	Valkājiet apstiprinātu cieto aizsargcepurīti, lai pasargātu savu galvu.
	Lietojiet aizsargcimdus	Aizsargājiet savas rokas, valkājot cimdus, kad darbojaties ar zāģi vai tā ķēdi. Neslidoši augstākās aizsardzības pakāpes aizsargcimdi palīdz iegūt labāku satvērienu un aizsargāt jūsu rokas.
	Vadotnes sliede	Vadotnes sliedes informācija.
	Uzmanieties no atsitiena	Vadotnes sliedes gals nedrīkst saskarties ar nevienu priekšmetu.
	Vadotnes sliedes gala atsitieni	Šāda gala saskare var izraisīt pēkšņu vadotnes sliedes kustību uz augšu un atpakaļ, kā rezultātā varat gūt nopietnus ievainojumus.
	Turiet ar abām rokām	Ķēdes zāģi vienmēr darbiniet ar abām rokām.
	Sargājiet no lietus	Neizmantojiet zāģi lietū vai neatstājiet ārā, kamēr līst lietus.
	CE	Šis produkts atbilst piemērojamo EK direktīvu prasībām.

LV

	Troksnis	Garantētais skaņas jaudas līmenis. Trokšņa emisija vidē no iekārtas atbilstoši Eiropas Kopienas direktīvai.
	WEEE	Elektrisko un elektronisko iekārtu atkritumus nedrīkst izmest kopā ar sadzīves atkritumiem. Nododiet pilnvarotā otrreizējās pārstrādes punktā.
V	Volti	Spriegums
A	Ampēri	Strāva
Hz	Herci	Frekvence (cikli sekundē)
W	Vati	Jauda
min	Minūtes	Laiks
	Maiņstrāva	Strāvas veids
	Līdzstrāva	Strāvas veids vai raksturojums
n_0	Ātrums brīvgaitā	Rotācijas ātrums
... /min	Minūtē	Apgrīzieni minūtē

VISPĀRĒJIE ELEKTROINSTRUMENTA DROŠĪBAS BRĪDINĀJUMI

⚠ BRĪDINĀJUMS. Izlasiet visus drošības brīdinājumus un norādījumus. Šo brīdinājumu un norādījumu neievērošana var izraisīt elektriskās strāvas triecienu, ugunsgrēku un/vai nopietnus ievainojumus.

Saglabājiet visus brīdinājumus un norādījumus, lai tos arī turpmāk varētu lietot.

LV

Brīdinājumos lietotais termins „elektroinstrumenti” apzīmē šo no elektrotīkla darbināmo (ar elektrokabeļi) vai ar akumulatoru darbināmo (bez elektrokabeļa) elektroinstrumentu.

DROŠĪBA DARBA VIETĀ

- **Uzturiet darba vietu tīru un labi apgaismotu.** Nekārtīgās un tumšās darba vietās ir lielāks negadījumu risks.

- **Nedarbiniet elektroinstrumentu sprādzienbīstamā vidē, piemēram, viegli uzliesmojošu šķidrumu, degvielas vai putekļu klātbūtnē.** Elektroinstrumenti rada dzirksteles, kas var aizdedzināt putekļus vai izgarojumu tvaikus.
- **Elektroinstrumenta darbināšanas laikā tā tuvumā nedrīkst atrasties bērni un citas nepiederošas personas.** Novēršot uzmanību, varat zaudēt kontroli pār instrumentu.

ELEKTRODROŠĪBA

- **Elektroinstrumentu kontaktdakšām jāatbilst kontaktlīgždaļai. Nekad nekādā veidā nepārveidojiet kontaktdakšu. Neizmantojiet adaptera kontaktdakšas kopā ar iezemētiem elektroinstrumentiem.** Lietojot nepārveidotas kontaktdakšas un atbilstošas kontaktlīgždas tiek samazināts elektriskās strāvas trieciena risks.
- **Neļaujiet nevienai ķermeņa daļai saskarties ar iezemētām virsmām, piemēram, caurulēm, radiatoriem, sildītājiem un kondensatoriem.** Elektriskās strāvas trieciena risks palielinās, ja jūsu ķermenis ir iezemēts.
- **Sargājiet elektroinstrumentus no lietus vai mitruma.** Ūdens iekļūšana elektroinstrumentā palielina elektriskās strāvas trieciena risku.
- **Nebojājiet elektrokabeļi. Nekad neizmantojiet elektrokabeļi elektroinstrumenta nešanai, vilkšanai vai atvienošanai no elektrotīkla. Sargājiet elektrokabeļi no karstuma, eļļas, asām malām vai kustīgām daļām.** Bojāti vai sapīnušies elektrokabeļi palielina elektriskās strāvas trieciena risku.
- **Darbinot elektroinstrumentu ārpus telpām, izmantojiet pagarinātāju, kas piemērots lietošanai ārpus telpām.** Izmantojot vadu, kas ir paredzēts lietošanai ārpus telpām, tiek samazināts elektriskās strāvas trieciena risks.
- **Ja nav iespējams izvairīties no elektroinstrumenta darbināšanas mitrā vietā, izmantojiet barošanas sistēmu, kas aizsargāta ar zemslēguma ķēžu pārtraucēju (GFCI).** Zemslēguma ķēžu pārtraucēja izmantošana samazina elektriskās strāvas trieciena risku.

PERSONISKĀ DROŠĪBA

- **Darbinot elektroinstrumentu, esiet modri, sekojiet līdzi savām darbībām un izmantojiet veselo saprātu. Nelietojiet elektroinstrumentu, ja esat noguruši vai atrodaties narkotiku, alkohola vai medikamentu ietekmē.** Ja elektroinstrumenta darbināšanas laikā kaut uz mirkli zaudēsiet uzmanību, varat gūt nopietnus ievainojumus.

- **Lietojiet individuālo aizsargaprīkojumu. Vienmēr lietojiet aizsargbrilles.** Tāda aizsargaprīkojuma kā, piemēram, putekļu maskas, neslidošu aizsargapavu, cietas aizsargcepures vai dzirdes aizsardzības līdzekļu, lietošana var samazināt savainojumu gūšanas risku.
- **Novērsiet nejaušas ieslēgšanās iespējamību.** Pirms instrumenta pievienošanas strāvas avotam un/vai akumulatoram pārliecinieties, ka slēdzis atrodas izslēgtā stāvoklī. Elektroinstrumentu pārvietošana, turot pirkstu uz slēdža, vai strāvas padeve elektroinstrumentiem, kuru slēdzis atrodas izslēgtā stāvoklī, palielina negadījumu risku.
- **Pirms elektroinstrumenta ieslēgšanas noņemiet visas regulēšanas atslēgas vai uzgriežņatslēgas.** Uzgriežņatslēga vai atslēga, kas palikusi piestiprināta pie elektroinstrumenta rotējošās daļas, var izraisīt ievainojumus.
- **Nestiepieties pārāk tālu. Vienmēr saglabājiet pareizu stāju un līdzsvaru.** Tādējādi nodrošināsiet labāku kontroli pār elektroinstrumentu negaidītās situācijās.
- **Valkājiet atbilstošu apģērbu.** Nevalkājiet vaļīgu apģērbu vai rotaslietas. Neļaujiet saviem matiem, apģērbam un cimdkiem nonākt saskarē ar kustīgajām daļām. Vaļīgs apģērbs, rotaslietas vai garī mati var iekļerties kustīgajās daļās.
- **Ja ierīces ir paredzētas savienošanai ar putekļu nosūkšanas un savākšanas ierīcēm, nodrošiniet, ka tās tiek pareizi pievienotas un izmantotas.** Putekļu savākšanas ierīču izmantošana var samazināt ar putekļiem saistītos apdraudējumus.
- **Uzturiet elektroinstrumentus darba kārtībā.** Pārbaudiet, vai kustīgās daļas nav novirzījušās un to savienojumi ir kārtībā, vai daļas nav bojātas, kā arī vai nav parādījušies jebkādi citi apstākļi, kas varētu ietekmēt elektroinstrumenta darbību. Ja konstatējat bojājumus, pirms lietošanas salabojiet elektroinstrumentu. Daudzu negadījumu cēlonis ir sliktā stāvoklī esošu elektroinstrumentu izmantošana.
- **Uzturiet griezējinstrumentus asus un tīrus.** Pareizi apkopti griezējinstrumenti ar asām griezējmalām retāk saķeras un ir vieglāk kontrolējami.
- **Lietojiet elektroinstrumentu, tā piederumus un griežņus, kā arī citus saistītos elementus atbilstoši šiem norādījumiem, ņemot vērā darba apstākļus un veicamo uzdevumu.** Elektroinstrumenta lietošana neparedzētiem mērķiem var radīt bīstamas situācijas.

AKUMULATORA LIETOŠANA UN APKOPE

- **Uzlādēšanai izmantojiet tikai ražotāja norādīto uzlādes ierīci.** Uzlādes ierīce, kas ir piemērota viena veida akumulatoriem, var radīt ugunsgrēka risku, ja tas tiek izmantota kopā ar citu akumulatoru.
- **Elektroinstrumentos ievietojiet tikai īpaši paredzētos akumulatorus.** Jebkura cita akumulatora izmantošana var radīt ievainojumu gūšanas un ugunsgrēka risku.
- **Kamēr akumulators netiek izmantots, glabājiet to tā, lai tas nenonāktu saskarē ar citiem metāla objektiem, piemēram, papīra saspaudēm, monētām, atslēgām, naglām, skrūvēm vai citiem maziem objektiem, kas var radīt savienojumu starp spailēm.** Īssavienojuma radīšana starp akumulatora spailēm var izraisīt apdegumus vai ugunsgrēku.
- **Neatbilstošos apstākļos no akumulatora var izšļākties šķidrums, izvairieties no saskares ar to. Ja tomēr nejausi nonākat ar to saskarē, atbilstošo vietu nekavējoties noskalojiet ar ūdeni. Ja šis šķidrums nonāk saskarē ar acīm, vērsieties pie ārsta.** Šķidrums, kas izšļācas no akumulatora, var radīt iekaisumu vai apdegumus.

SERVISS

- **Jūsu elektroinstrumentam apkopes un uzturēšanas darbus drīkst veikt tikai kvalificēts mehāniķis, izmantojot tikai identiskas maiņas daļas.** Tādējādi tiek nodrošināta elektroinstrumenta drošas darbības saglabāšana.

ĶĒDES ZĀGA DROŠĪBAS BRĪDINĀJUMI

- **Neļaujiet nevienai ķermeņa daļai nonākt saskarē ar zāga ķēdi, kamēr ķēdes zāģis darbojas.** Pirms ķēdes zāģa iedarbināšanas pārliecinieties, ka zāģa ķēde ne ar ko nesaskaras. Tikai uz mirkli novēršot uzmanību ķēdes zāģa darbināšanas laikā, jūsu drēbes vai ķermeņa daļas var iekļerties ķēdē.

LV

- Vienmēr turiet ķēdes zāģi tā, lai labā roka turētu aizmugurējo rokturi, savukārt kreisā roka priekšējo rokturi. Turot zāģa priekšējo rokturi ar labo roku un aizmugurējo ar kreiso roku, jūs palielināt ievainojumu gūšanas risku, un šādi zāģi nekad nevajadzētu turēt.
- Turiet elektroinstrumentu tikai pie izolētajām satveršanas virsmām, jo zāģa ķēde var saskarties ar apslēptiem vadiem. Ja zāģa ķēde pārgriež „dzīvu” vadu, elektroinstrumenta atklātās metāla daļas „atdzīvojas” un operators var saņemt elektriskās strāvas triecienu.
- Valkājiet aizsargbrilles un dzirdes aizsarglīdzekļus. Ieteicams lietot arī galvas, roku, kāju un pēdu aizsarglīdzekļus. Atbilstoša aizsargapģērba valkāšana samazinās ievainojumu gūšanas risku, ko rada lidojoši gruži vai nejausa saskare ar zāģa ķēdi.
- Nedarbiniet ķēdes zāģi, atrodoties kokā. Ķēdes zāģa darbināšana, atrodoties kokā, var izraisīt ievainojumus.
- Vienmēr saglabājiet atbilstošu stāju un darbiniet ķēdes zāģi tikai, kad stāvat uz stabilas, drošas un līdzenas pamatnes. Slidenas un nestabilas pamatnes, piemēram, kāpnes, var izraisīt līdzsvara un kontroles pār ķēdes zāģi zudumu.
- Zāģējot nospriegotu zaru, uzmanieties no tā atlekušas. Atbrīvojot koka šķiedrās uzkrāto saspringumu, nospriegotais zars var trāpīt operatoram un/vai likt zaudēt kontroli pār ķēdes zāģi.
- Esiet ļoti uzmanīgi, zāģējot krūmājus un jaunus kokus. Slaidais materiāls var saskarties ar zāģa ķēdi un tā rezultātā triekties jūsu virzienā vai likt jums zaudēt līdzsvaru.
- Nesiet ķēdes zāģi, turot to aiz priekšējā roktura, ķēdes zāģim esot izslēgtā stāvoklī un vēršam projām no jūsu ķermeņa. Pirms ķēdes zāģa transportēšanas vai novietošanas glabāšanā vienmēr uzstādi vadotnes sliedes pārsegu. Pareiza apiešanās ar ķēdes zāģi samazinās nejausas saskares iespējamību.
- Ievērojiet eļļošanas, ķēdes spriegošanas un piederumu maiņas norādījumus. Neatbilstoši nospriegotā vai ieeļļota ķēde var salūzt vai palielināt atsitienu risku.
- Nodrošiniet, ka rokturi ir sausi, tīri un uz tiem nav eļļas vai tauku. Taukaini, eļļaini rokturi ir slideni, kā rezultātā varat zaudēt kontroli pār zāģi.
- Zāģējiet tikai koku. Neizmantojiet ķēdes zāģi tam nepiemērotiem nolūkiem. Piemēram, neizmantojiet ķēdes zāģi plastmasas, akmens vai no koka neizstrādātu celtniecības materiālu zāģēšanai. Ķēdes zāģa lietošana neparedzētiem mērķiem var radīt bīstamas situācijas.

LV

ATSITIENA CĒĻONI UN OPERATORA AIZSARDŽĪBA (B, C, D un E att.)

Atsitiens var rasties, kad zāģa vadotnes sliedes priekšējā daļa vai gals pieskaras priekšmetam vai kad zāģēšanas laikā koka griezuma vieta aizveras un saspiež zāģi.

Vadotnes sliedes gala pieskaršanās dažkārt var izraisīt strauju pretreakciju, uzsitot zāģa sliedi uz augšu un atpakaļ operatora virzienā (B att.).

Zāģa ķēdes vadotnes sliedes gala saspiešanas rezultātā sliede var tikt strauji pagrūsta atpakaļ operatora virzienā.

B un C attēlā parādīto darbību aprakstu skatiet tālāk:

B-1	rotācijas atsitiens
C-1	lineārais atsitiens

Jebkura no šīm pretreakcijām var likt jums zaudēt kontroli pār zāģi, kā rezultātā varat gūt nopietnus ievainojumus. Nepaļaujieties tikai uz jūsu zāģi iebūvētajām drošības ierīcēm.

Lai nodrošinātu, ka zāģēšanas laikā nenotiek negadījumi vai netiek gūti ievainojumi, jums, kā zāģa lietotājiem, ir jāveic vairākas papildu darbības.

Atsitiens rodas nepareizas instrumenta lietošanas un/vai nepareizu darba procedūru izpildes rezultātā, kā arī nepiemērotu darba apstākļu dēļ, taču to var novērst, īstenojot turpmāk norādītos drošības pasākumus.

- Stingri satveriet zāģi, ar ikšķiem un pirkstiem aptverot ķēdes zāģa rokturus un abām rokām turot zāģi, kā arī novietojot ķermeni un rokas tādā pozīcijā, kas ļauj jums pretoties atsitienu spēkam (E att.). Zāģa operators var kontrolēt atsitienu spēku, ievērojot atbilstošos drošības pasākumus. Neatļaidiet ķēdes zāģi.
- Nestiepieties pārāk tālu un nezāģējiet augstāk par plecu augstumu. Tādējādi novērsīsiet nevēlamu gala saskaršanos un varēsiet labāk kontrolēt ķēdes zāģi neparedzētās situācijās.
- Izmantojiet tikai ražotāja norādītās rezerves sliedes un ķēdes. Neatbilstošu rezerves sliežu un ķēžu izmantošana var izraisīt ķēdes pļusumu un/vai atsitienu.
- Ievērojiet ražotāja norādījumu attiecībā uz zāģa ķēdes uzasināšanu un apkopi. Dzīļummēra augstuma samazināšana var izraisīt spēcīgāku atsitienu.
- Pārliecinieties, ka zona, kurā veiksiet zāģēšanu, ir brīva no šķēršļiem. Neļaujiet vadotnes sliedes galam saskarties ar dēli, zaru, sētu vai jebkuru citu šķērslī, ar ko zāģis var nonākt saskarē darbības laikā.
- Vienmēr zāģējiet, ierīcei darbojoties pilnā ātrumā. Pilnībā saspiediet palaišanas mehānisma slēdzi un saglabājiet zāģēšanas ātrumu.

- **Pamata zināšanas par atsitienu palīdzēs jums samazināt vai novērst pārsteiguma elementu.** Negaidīti pārsteigumi veicina negadījumus.
- **Vienmēr saglabājiet pareizu stāju un līdzsvaru.**
- **Grūšana un vilkšana** – reakcijas spēks vienmēr ir pretējs ķēdes kustības virzienam, kad tā saskaras ar koku. Līdz ar to operatoram jābūt gatavam savaldīt VILKMES spēku, zāģējot ar slīdes apakšējo malu, un GRŪDIENA spēku, zāģējot ar augšējo malu (F att.).

ŠIM ĶĒDES ZĀĢIM UZSTĀDĪTĀS ATSIENA AIZSARDZĪBAS IERĪCES

Ķēdes bremze

Ķēdes zāģis ir aprīkots ar ķēdes bremzi, kas atsiena gadījumā aptur gan dzinēju, gan ķēdes kustību. Ķēdes bremzi var aktivizēt, pabīdot uz priekšu ķēdes atsitienu bremzes rokturi, jo atsitienu laikā zāģis griežas pretējā virzienā, tāpat šo bremzi var aktivizēt arī iekšējie spēki, kas rodas strauja grūdienu uz aizmuguri rezultātā.

▲ BRĪDINĀJUMS. Nekad nepārveidojiet un necentieties atvienot ķēdes bremzi.

Pirms ķēdes zāģa lietošanas pārliecinieties, ka ķēdes bremze darbojas pareizi. Ķēdes atsitienu bremzes rokturim brīvi jāpārvietojas uz priekšu un aizmuguri.

Lai pārbaudītu ķēdes bremzes darbību, rīkojieties šādi (G att.):

- novietojiet ķēdes zāģi uz līdzenas un atklātas virsmas un pārliecinieties, ka tuvumā neatrodas neviens priekšmets vai šķērslis, ar ko sliede vai ķēde varētu saskarties;
- atvienojiet ķēdes bremzi, pavelkot ķēdes atsitienu bremzes rokturi uz priekšējā roktura pusi;
- ieslēdziet ķēdes zāģi;
- pabīdīdēt ķēdes atsitienu bremzes rokturi zāģa priekšpusē virzienā. Ja ķēdes bremze darbojas pareizi, ķēdes kustība tiks nekavējoties apturēta. Ja ķēdes bremze nedarbojas pareizi, nelietojiet zāģi, kamēr to nav salabojis kvalificēts servisa tehniķis.

G attēlā redzamo darbību aprakstu skatiet tālāk:

G-1	ķēdes atsitienu bremzes rokturis darba stāvoklī
G-2	ķēdes atsitienu bremzes rokturis bremzēšanas stāvoklī

▲ BRĪDINĀJUMS. Pirms katras lietošanas reizes pārliecinieties, ka ķēdes bremze darbojas pareizi.

BRĪDINĀJUMS. Ja ķēdes bremze ir nosprostota ar koka skaidām, ķēdes bremzes darbība var pasliktināties. Vienmēr uzturiet instrumentu tīru.

Zema atsitienu zāģa ķēde

Nošķelējzobi (dzijummēri) pirms katra griezēja var samazināt atsitienu ietekmes spēku, novēršot to, ka griezēji iegrimst pārāk dziļi atsitienu zonā. Izmantojiet tikai tādas rezerves ķēdes, kas atbilst oriģinālajai ķēdei vai ir sertificētas.

▲ UZMANĪBU. Tā kā zāģa ķēdes savā kalpošanas laikā tiek uzasinātas, tās zaudē daļu no savām zema atsitienu īpašībām, tādēļ esiet ļoti uzmanīgi.

PAPILDU BRĪDINĀJUMI

- **Ķēdes zāģi paredzēti turēt ar abām rokām.** Darbinot ķēdes zāģi ar vienu roku gan operators, gan palīgi un citi apkārt esošie cilvēki var gūt nopietnus ievainojumus.
- **Izvairieties no nejaušas saskares ar stacionāro zāģa ķēdi vai vadotnes slīdes līnijām. Tās var būt ļoti asas.** Darbojoties ar ķēdes zāģi, tā ķēdi vai vadotnes slīdi, vienmēr valkājiet cimds un garas bikses vai virsvalkus.
- **Nekad nedarbiniet ķēdes zāģi, kas ir bojāts vai neatbilstoši noregulēts, vai arī nav pilnībā un droši samontēts.** Pārliecinieties, ka zāģa ķēde pārtrauc kustēties, kad tiek atlaists palaišanas mehānisma slēdzis.
- **Pirms zāģēšanas pārbaudiet, vai zāģējamajā materiālā nav naglas, stieples vai citi svešķermeņi.**
- **Veicot sagarumošanu, pirms zāģēšanas nostipriniet apstrādājamo materiālu.** Veicot koku gāšanu vai zaru apzāģēšanu, identificējiet un nostipriniet bīstamus zarus.
- **Agresīva vai nepareiza zāģēšana, kā arī ķēdes zāģa neatbilstoša lietošana var izraisīt slīdes, ķēdes un/vai ķēzratu priekšlaicīgu nodilšanu, kā arī ķēdes vai slīdes bojājumus, kā rezultātā var rasties atsitiens, ķēdes svīdiens vai materiāla izmešana.**
- **Nekad nelietojiet vadotnes slīdi kā sviru.** Saliekta vadotnes sliede var izraisīt slīdes, ķēdes un/vai ķēzratu priekšlaicīgu nodilšanu, kā arī ķēdes vai slīdes bojājumus, kā rezultātā var rasties atsitiens, ķēdes svīdiens vai materiāla izmešana.
- **Vienlaicīgi zāģējiet tikai vienu vienību.**
- **Izmantojiet tikai kopā ar EGO akumulatoriem un uzlādes ierīcēm.**

AKUMULATORI	UZLĀDES IERĪCE
BA1120E, BA2240E, BA2800, BA3360, BA4200	CH5500E, CH2100E

- **Neuzlādējiet akumulatoru lietū vai mitrās vietās.**
- **Plānojiet darbu, atīriet darba vietu no šķēršļiem un, ja veicat koku gāšanu, nosakiet vismaz vienu bēgšanas ceļu no krītošā koka.**

- Gāzot kokus, nodrošiniet, ka citas personas atrodas vismaz divu - trīs gāzamā koka garumu attālumā.
- Ja gadās situācijas, kas nav aprakstītas šajā rokasgrāmatā, rīkojieties uzmanīgi un labi novērtējiet situāciju. Ja nepieciešama palīdzība, sazinieties ar EGO klientu apkalpošanas nodaļu.

VADOTNES SLIEDE

Zāģis ir aprīkots ar vadotnes sliedi, kurai ir virsotne ar mazu rādiusu. Virsotnēm ar mazu rādiusu parasti ir mazāka atsitienu iespējāmība. Mainot vadotnes sliedi, pasūtiet tieši tādu sliedi, kāda norādīta šajā rokasgrāmatā.

SAGLABĀJIET ŠOS NORĀDĪJUMUS!

SPECIFIKĀCIJAS

Modelis	CS1400E	CS1600E	
Spriegums	56 V ---	56 V ---	
Vadotnes sliedes garums	350 mm	400 mm	
Ķēdes solis	9,5 mm	9,5 mm	
Ķēdes mērierīce	1,1 mm	1,1 mm	
Zāģa ķēdes veids	90PX052X (Oregon)	90PX052X (Oregon) 90PX056X (Oregon)	
Vadotnes sliedes veids	144MLEA041 (Oregon)	144MLEA041 (Oregon) 164MLEA041 (Oregon)	
Ķēdes eļļas tvertnes ietilpība	150 ml	150 ml	
Svars (bez akumulatora, ķēdes pārvalka)	3,81 Kg	3,86 Kg	
Izmērītais trokšņa jaudas līmenis L_{WA}	96,73 dB(A) $K_{WA}=2,5$ dB(A)	96,4 dB(A) $K_{WA}=2,5$ dB(A)	
Trokšņa spiediena līmenis pie operatora auss L_{PA}	85,73 dB(A) $K_{PA}=2,5$ dB(A)	85,4 dB(A) $K_{PA}=2,5$ dB(A)	
Garantētais trokšņa jaudas līmenis L_{WA} (saskaņā ar Direktīvu 2000/14/EK)	100 dB(A)	99 dB(A)	
Vibrācijas a_h	Aizmugurējais rokturis	5,373 m/s ² K=1,5 m/s ²	3,222 m/s ² K=1,5 m/s ²
	Priekšējais rokturis	4,146 m/s ² K=1,5 m/s ²	3,081 m/s ² K=1,5 m/s ²

LV

- Norādītā vibrāciju kopējā vērtība ir izmērīta saskaņā ar standarta pārbaudes metodi un var tikt izmantota, lai salīdzinātu vairākus instrumentus.

228

56 V LITIJA-JONU BEZVADU ĶĒDES MOTORZĀĢIS — CS1400E/CS1600E

- Norādītā vibrāciju kopējā vērtība var arī tikt izmantot ietekmes sākotnējai novērtēšanai.

PIEZĪME. Vibrāciju emisijas faktiskajā elektroinstrumenta darbināšanas laikā var atšķirties no norādītās vērtības. Lai pasargātu operatoru, lietotājam jāvalkā cimdi un dzirdes aizsarglīdzekļi atbilstoši patiesajiem darba apstākļiem.

KOMPLEKTĀCIJA

DAĻAS NOSAUKUMS	SKAITS
Ķēdes zāģa instrumentgalva	1
Zāģa ķēde	1
Vadotnes sliede	1
Ķēdes pārvalks	1
Lietotāja rokasgrāmata	1

APRAKSTS

PĀRZINIET SAVU ĶĒDES ZĀĢI (A att.)

1. Palaišanas mehānisma slēdzis
2. Bloķēšanas/atbloķēšanas poga
3. Akumulatora atbrīvošanas poga
4. Eļļas tvertnes vāciņš
5. Eļļas pārbaudes atvere
6. Zāģa ķēde
7. Vadotnes sliede
8. Fiksators
9. Izsviešanas mehānisms
10. Elektriskie kontakti
11. Ķēdes atsitienu bremzes rokturis
12. Ķēdes spriegošanas svira
13. Priekšējais rokturis
14. Aizmugurējais rokturis
15. Ķēdes spriegošanas skrūve
16. Sānu pārsegs
17. Sānu pārsega svira
18. Ķēdes pārvalks
19. Eļļošanas atvere
20. Kēžrats vadotnes sliedes galā

PIEZĪME. Ķēdes atsitienu bremzes rokturis darbojas kā svira ķēdes bremzes aktivizēšanai. Tas arī nodrošina aizsardzību pret lieliem zariem un palīdz novērst kreisās rokas saskaršanos ar zāģi, ja tā noslīd no priekšējā roktura.

MONTĀŽA

BRĪDINĀJUMS. Ja kāda daļa ir bojāta vai trūkst, nedarbiniet šo izstrādājumu, kamēr šādas daļas nav nomainītas. Darbinot šo izstrādājumu ar bojātām vai trūkstošām daļām varat gūt nopietnus ievainojumus.

⚠ BRĪDINĀJUMS. Nemēģiniet pārveidot šo izstrādājumu vai radīt piederumus, kurus nav ieteicams izmantot kopā ar šo ķēdes zāģi. Jebkādi šādi uzlabojumi vai pārveidojumi uzskatāmi par neatbilstošu lietošanu un var radīt bīstamus apstākļus, kas var izraisīt nopietnus ievainojumus.

⚠ BRĪDINĀJUMS. Lai novērstu nejašu ieslēgšanos, kas var izraisīt nopietnus ievainojumus, vienmēr pirms daļu uzstādīšanas izņemiet no instrumenta akumulatoru.

SLIEDĒS UN ĶĒDES MONTĀŽA/MAIŅA

⚠ BRĪDINĀJUMS. Darbojoties ar sliedi un ķēdi, vienmēr valkājiet cimdus, jo šīs daļas ir asas un var saturēt skabargas.

- Novietojiet ķēdes zāģa instrumentgalvu uz sāniem tā, lai sānu pārsegs būtu vērsts uz augšpusi (H att.).
- Pagrieziet sānu pārsega sviru pretēji pulksteņa rādītāju kustības virzienam, lai noņemtu sānu pārsegu, un pēc tam pēc iespējas vairāk atskrūvējiet ķēdes spriegošanas sviru.
- Novietojiet jauno zāģa ķēdi cilpā uz līdzenas virsmas un iztaisnojiet jebkādas mezgļus (I att.).
- Ievietojiet ķēdes piedziņas locekļus vadotnes sliedes rievā un savienojiet ķēdi nepārtrauktā cilpā vadotnes sliedes aizmugurē (J att.).
- Turiet ķēdi tās vietā uz vadotnes sliedes un uzlieciet cilpu apkārt instrumentgalvas ķēžratam.
- Bīdīet vadotnes sliedes slotu pāri izlīdzināšanas atlokam līdz sliedes aizmugures daļas apakšējā caurumā iespējams ievietot spriegojuma regulēšanas tapu.

PIEZĪME. Zāģa ķēdē ir iegravētas nelielas virzienu norādošas bultas. Vēl viena virzienu norādoša bulta ir atrodama uz korpusa. Uzstādot zāģa ķēdi uz ķēžrata, pārliecinieties, ka bultas uz zāģa ķēdes ir vērstas tajā pašā virzienā, kur bulta uz korpusa. Ja tās ir vērstas pretējos virzienos, apgrieziet zāģa ķēdi un vadotnes sliedes sistēmu otrādi (L2 att.).

- Uzstādiet atpakal sānu pārsegu un viegli pievelciet sānu pārsega sviru.
- Paceliet vadotnes sliedes galu uz augšu, lai pārbaudītu, vai ķēde nenokarājas (K att.). Atbrīvojiet vadotnes sliedes galu un pagrieziet ķēdes spriegošanas sviru pulksteņa rādītāju kustības virzienā. Atkārtojiet šo darbību līdz ķēde vairs nenokarājas.
- Kārtīgi pievelciet sānu pārsega sviru, lai nodrošinātu, ka pirms lietošanas zāģa ķēde ir pienācīgi nospriegota.

J un L attēlā redzamo daļu aprakstu skatiet tālāk:

J-1	ķēdes piedziņas locekļi	L-2	sprieguma regulēšanas tapa
J-2	vadotnes sliedes rievā	L-3	vadotnes sliedes slots
L-1	izlīdzināšanas atloks	L-4	ķēžrats

PIEZĪME. Lai paildzinātu vadotnes sliedes kalpošanas ilgumu, laiku pa laikam apgrieziet sliedi otrādi.

PIEZĪME. Ja ķēde ir pārāk cieša, tā negriezīsies. Nedaudz atskrūvējiet sānu pārsega sviru un pagrieziet spriegošanas sviru vienreiz no labās uz kreiso pusi. Paceliet vadotnes sliedes galu uz augšu un atkārti kārtīgi pievelciet sānu pārsega sviru. Pārliecinieties, ka ķēde griezīsies bez saķeršanās.

ĶĒDES SPRIEĢOJUMA REGULĒŠANA

- Pirms ķēdes spriegojuma regulēšanas apturiet zāģa dzinēju un izņemiet akumulatoru. Pārliecinieties, ka sānu pārsega svira ir atskrūvēta. Pagrieziet ķēdes spriegošanas sviru pulksteņa rādītāju kustības virzienā, lai nospriegotu ķēdi. Lai iegūtu vairāk informācijas skatiet sadaļu: „SLIEDĒS UN ĶĒDES MAIŅA”.
- Auksta ķēde ir pareizi nospriegota tad, ja tā nenokarājas vadotnes sliedes apakšpusē un cieši pieguļ, taču to var kustināt ar roku bez saķeršanās. Ķēde jāpārspriego ik reizi, kad piedziņas locekļu plakanās virsmas neieguļ sliedes rievā.
- Parasti zāģa darbības laikā ķēdes temperatūra palielināsies. Pareizi nospriegotas uzsilušas ķēdes piedziņas locekļi karāsies aptuveni 1,3 mm ārpus sliedes rievas (M att.).

PIEZĪME. Jaunām ķēdēm ir tendence stiepties, tādēļ bieži pārbaudiet to spriegojumu un, ja nepieciešams, atkārtoti nospriegojiet.

PIEZĪME. Ķēde, kura tika nospriegota, kamēr tā bija silta, pēc atdzišanas var būt pārāk cieši savilkta. Pirms nākamās lietošanas reizes pārbaudiet aukstās ķēdes spriegojumu.

LIETOŠANA

⚠ BRĪDINĀJUMS. Neļaujiet, ka pieradums pie darba ar šo izstrādājumu, liek jums zaudēt uzmanību. Atcerieties, ka pat uzmanības novēršana uz sekundes daļu ir pietiekama, lai gūtu nopietnus ievainojumus.

⚠ BRĪDINĀJUMS. Vienmēr valkājiet aizsargbrilles ar sānu aizsargiem. Šo noteikumu neievērošana var novest pie tā, ka jums acis ielido kādi objekti vai citiem smagiem miesas bojājumiem.

⚠ BRĪDINĀJUMS. Neizmantojiet nekādus papildinājumus vai aksesuārus, kurus neiesaka šī izstrādājuma ražotājs. Šādu neapstiprinātu papildinājumu vai aksesuāru lietošana var radīt nopietnus ievainojumus.

⚠ BRĪDINĀJUMS. Lai novērstu nejašu ieslēgšanos, kas var izraisīt nopietnus ievainojumus, vienmēr pirms daļu uzstādīšanas, pārveidojumu veikšanas, tīrīšanas vai instrumenta nelietošanas laikā izņemiet no instrumenta akumulatoru.

Pirms katras lietošanas reizes pārbaudiet visu izstrādājumu, vai tam nav bojātas, trūkstošas vai vaļīgas daļas, piemēram, skrūves, uzgriežņi, bultskrūves, vāciņu u.c. Droši pievelciet visus fiksatorus un vāciņus, kā arī nelietojiet šo izstrādājumu, kamēr visas trūkstošas vai bojātas daļas nav nomainītas.

PIELIETOJUMS

Šo zāģi varat izmantot parastām koku gāšanas, atzarošanas, zaru apzāģēšanas, kā arī dēļu un koku sazāģēšanas darbībām.

PIEZĪME. Šo rīku drīkst izmantot tikai paredzētajam mērķim. Izmantošana jebkādā citā veidā tiks uzskatīta par neatbilstošu lietošanu.

SLIEDĒS UN ĶĒDES SMĒRVIELAS UZPILDĪŠANA

⚠ BRĪDINĀJUMS. Nesmēķējiet, kā arī nenovietojiet uguni vai atklātu liesmu eļļas vai ķēdes zāģa tuvumā. Eļļa var izšļakstīties un izraisīt ugunsgrēku.

PIEZĪME. Iegādes brīdī ķēdes zāģī nav iepildīta eļļa. Pirms lietošanas tvertnē noteikti ir jāiepilda eļļa. Darbības laikā ķēde tiek automātiski ieeļļota ar ķēdes eļļu.

1. Novietojiet ķēdes zāģi uz sāniem, eļļas tvertnes vāciņam esot vērstam uz priekšpusi.
2. Notīriet vāciņu un visu tā apkārtni, pēc tam pagrieziet to pretēji pulksteņu rādītāju kustības virzienam, lai noņemtu (N att.).
3. Uzmanīgi iepildiet īpaši paredzēto eļļu tvertnē līdz tā sasniedz uzpildes kakliņa apakšu.
4. Noslaukiet jebkādu notecējušo eļļu un uzlieciet atpakaļ vāciņu.

PIEZĪME. Zāģim esot stāvošā pozīcijā, eļļai būtu jāaizpilda visa pārbaudes atvere. Kad pārbaudes atverē vairs nav redzama eļļa, pārtrauciet izmantot zāģi un nekavējoties papildiniet eļļu.

AKUMULATORA IEVIETOŠANA/IZŅEMŠANA

Pirms pirmās lietošanas pilnībā uzlādējiet akumulatoru

ievietošana (O att.)

Novietojiet akumulatora valnišus pretī uzstādīšanas slotiem un spiediet akumulatoru uz leju līdz dzirdat klikšķi.

Izņemšana (P att.)

Nospiediet akumulatora atbrīvošanas pogu un izņemiet akumulatoru.

LV

ĶĒDES ZĀĢA IESLĒGŠANA/IZSLĒGŠANA

PIEZĪME. Pirms ķēdes zāģa ieslēgšanas pārbaudiet eļļas līmeni, zāģa zobu asumu un atsitienu bremzes roktura darbību. Tāpat ievērojiet pareizu stāju un ieturiet atbilstošu attālumu no zemes.

Ieslēgšana

1. Pavelciet ķēdes atsitienu bremzes rokturi uz priekšējā roktura pusi līdz darba pozīcijai (G att.).
2. Stingri satveriet priekšējo un aizmugurējo rokturi, izmantojot abas rokas.
3. Vispirms nospiediet atbloķēšanas pogu un pēc tam saspiediet palaišanas slēdzi, lai iedarbinātu zāģi (Q att.). Atbrīvojiet atbloķēšanas pogu turpiniet turēt saspiestu palaišanas slēdzi, lai nodrošinātu nepārtrauktu darbību.

⚠ BRĪDINĀJUMS. Nemēģiniet iedarbināt zāģi, kamēr tā ķēde atrodas griezumā.

Apturēšana

1. Atlaidiet palaišanas slēdzi.
2. Bīdīet ķēdes atsitienu bremzes rokturi uz priekšu līdz bremzēšanas stāvoklim, lai aktivizētu ķēdes bremzi (G att.).

⚠ BRĪDINĀJUMS. Vienmēr darba pārtraukumos un pēc darbu pabeigšanas izņemiet akumulatoru no ķēdes zāģa.

Pareizs rokturu satvēriens (E att.)

- Lai nodrošinātu maksimālu satvērienu un aizsardzību, valkājiet neslīdošus cimdus.
- Zāģim atrodoties uz stabilas, līdzenas virsmas, stingri satveriet to ar abām rokām.
- Vienmēr satveriet priekšējo rokturi ar kreiso roku un aizmugurējo ar labo roku.
- Pirkstiem jāaptver rokturis tā, lai tīkšķis atrastos zem priekšējā roktura.

⚠ BRĪDINĀJUMS. Nekad neturiet zāģi satvērienā, kur vadošā ir kreisā roka (apgrieztais satvēriens), kā arī nestāviet tā, lai kāda jūsu ķermeņa daļa vai roka varētu atrasties virs ķēdes līnijas (R att.).

Pareiza stāja zāģēšanas laikā (S att.)

- Abām kājām jāatrodas stabili uz zemes, svaram esot vienlīdzīgi izdalītam starp tām.
- Kreisajai rokai jābūt taisnai, elkonim nofiksētam. Tas palīdz izturēt atsitienu radītās ietekmes spēku.
- Jūsu ķermenim vienmēr būtu jāatrodas ķēdes līnijas kreisajā pusē.

NORĀDĪJUMI ATTIECĪBĀ UZ PAREIZĀM KOKU GĀŠANAS, ATZAROŠANAS, ZARU APZĀĢĒŠANAS UN PĀRZĀĢĒŠANAS TEHNIKĀM

▲ BRĪDINĀJUMS. Kad dzinējs darbojas, vienmēr pārliecinieties, ka stāvat pareizi un stingri turat zāģi ar abām rokām.

▲ BRĪDINĀJUMS. Kad zāģēšanas laikā zāģa ķēde tiek apturēta saspiešanas dēļ, atlaidiet palaišanas mehānisma slēdzi, noņemiet zāģa ķēdi un vadotnes sliedi no koka un pēc tam no jauna ieslēdziet zāģi.

▲ BRĪDINĀJUMS. Neraujiet zāģa ķēdi ar rokām, kad tajā ir iekļūšās zāģskaidas. Varat gūt nopietnus ievainojumus, ja ķēde sāk nejauši darboties. Piespiediet zāģa ķēdi pret koku, kustiniet ķēdes zāģi uz priekšu un aizmuguri, lai atbrīvotos no gruziem. Vienmēr pirms tīrīšanas izņemiet akumulatoru. Darbojoties ar zāģa ķēdi, valkājiet augstākās aizsardzības pakāpes cimdus.

▲ BRĪDINĀJUMS. Nekad neieslēdziet ķēdes zāģi, kamēr tas saskaras ar koku. Pirms pietuviniet zāģi kokam ļaujiet tam sasniegt pilnu ātrumu.

Koka gāšana

- Kad sagarumošanas un koka gāšanas darbus vienlaicīgi veic divi vai vairāk cilvēki, koka gāšanas darbi un sagarumošanas darbi jāveic divās dažādās vietās, kas viena no otras atrodas tādā attālumā, kas vienlīdzīgs divkāršam gāzamā koka garumam. Kokus nedrīkst gāzt veidā, kas apdraud citus cilvēkus, var pārraut elektropārvades līniju vai radīt īpašuma bojājumus. Ja tomēr koks saskaras ar elektropārvades līniju, nekavējoties par to jāpaziņo atbildīgajiem dienestiem.
- Ķēdes zāģa operatoram jāstāv kalnup vērstaļā koka pusē, jo koks pēc nogāšanas visticamāk rīpos vai slīdēs lejup pa kalnu.
- Pirms zāģēšanas jāizplāno un jāatfira bēgšanas ceļš. Bēgšanas ceļam jāiet uz aizmuguri un diagonāli uz sagaidāmās koka krišanas līnijas aizmuguri, kā parādīts T attēlā.
- Pirms koka gāšanas darbu uzsākšanas ņemiet vērā dabisko koka liekšanās virzienu, lielāko zaru novietojumu un vēja virzienu, lai noteiktu koka krišanas virzienu.
- Notīriet no koka netīrumus, noņemiet nokarājošos mizu, naglas, skavas un stieples.

Robojošs aizzāģējums

Perpendikulāri koka krišanas virzienam iezāģējiet robu līdz 1/3 no koka diametra, kā parādīts U attēlā. Vispirms veiciet apakšējo horizontālo robojošo iezāģējumu. Tas palīdzēs novērst zāģa ķēdes vai vadotnes sliedes iespīšanu otrā roba iezāģēšanas laikā.

Gāšanas iezāģējums pretējā koka pusē

- Veiciet gāšanas iezāģējumu pretējā koka pusē vismaz 50 mm virs horizontālā robojošā iezāģējuma, kā parādīts U attēlā. Gāšanas iezāģējumu pretējā koka pusē saglabājiet paralēlu horizontālajam robojošajam iezāģējumam. Gāšanas iezāģējumu pretējā koka pusē veiciet tik dziļi, lai atlikušais koka daudzums varētu tikt izmantots kā enģe. Koka enģe novērs koka sagriešanos un krišanu nepareizajā virzienā. Neizzāģējiet cauri enģei.
- Tiklīdz gāšanas darbības tiek veiktas tuvu pie enģes, kokam būtu jāsāk krist. Ja pastāv kaut mazākā iespēja, ka koks varētu nekrist paredzētajā virzienā vai tas varētu sašūpoties uz aizmuguri un iespiest zāģa ķēdi, pārtrauciet zāģēšanu pirms gāšanas iezāģējums otrā koka pusē ir pabeigts un izmantojiet koka, plastmasa vai alumīnija ķīli, lai atvērtu iezāģējumu un nogāztu koku vēlamajā krišanas virzienā.
- Kad koks sāk krist, izņemiet ķēdes zāģi no iezāģētās līnijas, apturiet dzinēju, nolieciet zāģi uz zemes un izmantojiet noteikto atkāpšanās plānu. Uzmanieties no krītošajiem zariem un skatieties, kur liekat kājas.

T un U attēlā redzamo elementu aprakstu skatiet tālāk:

T-1	gāšanas virziens	U-2	robs
T-2	drošības atkāpšanās ceļš	U-3	gāšanas iezāģējums pretējā koka pusē
U-1	krišanas virziens	U-4	enģe

Koka atzarošana

Atzarošana ir zaru nozāģēšana nokritušam kokam. Veicot atzarošanu, atstājiet lielākos apakšējos zarus, lai tie noturētu koku virs zemes. Nozāģējiet mazākos zarus ar vienu griezienu, kā parādīts V attēlā. Saliektie zari jāzāģē no apakšas uz augšu, lai izvairītos no ķēdes zāģa iespīšanas.

Dēļa sagarināšana

- Sagarināšana ir dēļa sazāģēšana garumos. Pirms sagarināšanas darbu veikšanas, svarīgi ir pārliecināties, ka stāvat stabili un jūsu svārs ir vienlīdzīgi izdalīts uz abām kājām. Kad iespējams, dēlis jāpaceļ uz augšu un jāatbalsta, izmantojot zarus, dēļus vai klucus. Ievērojiet vienkāršos virzienus vieglai zāģēšanai.
- Ja dēlis tiek balstīts visā tā garumā, kā parādīts W1 attēlā, tas jāzāģē no augšpusē (gareniskā garumošana).
- Ja tiek balstīts tikai viens dēļa gals, kā parādīts W2 attēlā, no apakšpusē veiciet iegriezumu līdz 1/3 no diametra (apakšējā garumošana). Pēc tam pabeidziet griezumam, veicot gareniskās garumošanas kustību līdz pirmajam iezāģējumam.

LV

- Ja tiek balstīti abi dēļi gali, kā parādīts W3 attēlā, no augšpusē veiciet griezumus līdz 1/3 no diametra (augšējā garumošana). Pēc tam pabeidziet griezumus, veicot apakšējo garumošanu atlikušajās 2/3 līdz pirmajai griezuma vietai.
- Veicot garumošanu nogāzē, vienmēr stāviet tajā dēļa pusē, kas atrodas kalnup, kā parādīts X attēlā.
- Zāģējot cauri, lai saglabātu pilnīgu kontroli, Tsi pirms zāģēšanas darbības pabeigšanas samaziniet zāģēšanas spiedienu, neatslābinot ķēdes zāģa rokturu satvērienu. Neļaujiet ķēdei saskarties ar zemi. Kad pabeidzat zāģēšanu, pagaidiet, lai ķēde apstājas, pirms pārvietojat zāģi citur. Pārejot no viena koka uz citu, vienmēr apturiet dzinēju.

APKOPE

▲ BRĪDINĀJUMS. Veicot iekārtas apkopi, izmantojiet tikai identiskas rezerves daļas. Jebkuru citu daļu izmantošana var radīt apdraudējumu vai izstrādājuma bojājumus.

▲ BRĪDINĀJUMS. Veicot jebkādas ķēdes zāģa apkopes darbus, vienmēr nēsājiet aizsargcimdus.

▲ BRĪDINĀJUMS. Lai novērstu nopietnu ievainojumu gūšanas risku, pirms ķēdes zāģa pārbaudīšanas, tīrīšanas vai apkopes darbu veikšanas izņemiet akumulatoru. Ar akumulatoru darbināms instruments, kurā ir ievietots akumulators, vienmēr ir ieslēgts un var nejauši sākt darboties.

▲ BRĪDINĀJUMS. Tīrot ķēdes zāģi, NEIEMĒRCIET to ūdenī vai kādā citā šķidrumā.

▲ BRĪDINĀJUMS. Nekad neļaujiet bremžu šķidrumiem, degvielai, uz naftu bāzētiem izstrādājumiem, iestrādes eļļām u.tml. nonākt saskarē ar plastmasa daļām. Ķīmikālijas var bojāt, pavājināt vai iznīcināt plastmasu, kā rezultātā varat gūt nopietnus ievainojumus.

TĪRĪŠANA

- Pēc katras lietošanas reizes ar mīkstu suku iztīriet no ķēdes un vadotnes slīdes gružus. Noslaukiet ķēdes zāģa virsmu ar tīru drānu, kas samitrināta ar maigu ziepju šķīdumu.
- Noņemiet sānu vāku un pēc tam ar mīkstu suku notīriet gružus no vadotnes slīdes, zāģa ķēdes, ķēzrāta un sānu pārsega.
- Vienmēr, kad maināt zāģa ķēdi, iztīriet koka skaidas, zāģskaidas un neļņrumus no vadotnes slīdes rievās.

LV

SLIEDES UN ĶĒDES MAIŅA

▲ BRĪDINĀJUMS. Nekad nepieskarieties vai neregulējiet ķēdi, kamēr darbojas zāģa dzinējs. Zāģa ķēde ir ļoti asa.

PIEZĪME. Mainot vadotnes slīdi un ķēdi, vienmēr izmantojiet ieteikto slīdes un ķēdes kombināciju, kas norādīta šajā rokasgrāmatā.

Nodilušas slīdes un ķēdes demontāža (Y att.)

1. Izņemiet akumulatoru, ļaujiet zāģim atdzist un pievelciet eļļas tvertnes vāciņu.
2. Novietojiet ķēdes zāģi uz sāniem tā, lai sānu pārsegs būtu vērst uz augšu.
3. Valkājiet cimdus. Noņemiet sānu pārsegu, pagriežot sānu pārsega sviru pretēji pulksteņa rādītāju kustības virzienam. Notīriet sānu pārsegu ar sausu drānu.

PIEZĪME. Šajā mirklī ir lietderīgi pārbaudīt, vai ķēzrāts nav nodilis un bojāts.

Jaunās slīdes un ķēdes montāža

Izpildiet norādījumus, kas doti šīs rokasgrāmatas sadaļā „SLIEDES UN ĶĒDES MONTĀŽA/MAIŅA”.

Pielāgojiet ķēdes spriegojumu

Izpildiet norādījumus, kas doti šīs rokasgrāmatas sadaļā „ĶĒDES SPRIEĢOJUMA REGULĒŠANA”.

ĶĒDES APKOPE

▲ BRĪDINĀJUMS. Darbojoties ar zāģa ķēdi, vienmēr valkājiet cimdus, jo šīs daļas ir asas un var saturēt skabargas.

Šīm zāģim lietojiet tikai ķēdes ar zemu atsitienu. Pareizi uzturot un apkopjot, šī ātri zāģējošā ķēde nodrošinās atsitienu ietekmes samazināšanu.

Pareizi uzasināta zāģa ķēde vienkārši spēj iziet cauri kokam, pat piemērojot pavisam maz spēka.

Nekad nelietojiet trulu vai bojātu ķēdes zāģi. Truls zāģa ķēdes griezējs rada papildu fizisko slodzi, palielina vibrācijas, sniedz neapmierinošus zāģēšanas rezultātus un palielina nodilumu.

Lai zāģēšana būtu gluda un ātra, ķēdi nepieciešams pareizi uzturēt un apkopt. Ja koka skaidas ir mazas un pūderveida, zāģēšanas laikā ķēdi nepieciešams ar spēku spiest cauri kokam vai zāģē tikai viena ķēdes puse, ķēdi nepieciešams uzasināt. Veicot ķēdes apkopi, ņemiet vērā šādus aspektus.

- Nepareizs sānu plāksnes vīlēšanas leņķis var palielināt smaga atsitienu risku.
- Nošķēlējzobu (dziļummēri) klīrens. Pārāk zems novietojums palielina atsitienu iespējamību. Nepietiekami zems novietojums samazina zāģēšanas stabilitāti.

- Ja griezēja zobi ir sadūrušies ar citiem priekšmetiem, piemēram, naglām vai akmeņiem, vai tos noberzuši uz koka esošie dubļi vai smiltis, lūdziet kvalificētam servisa tehniķim uzasināt ķēdi.

PIEZĪME. Ķēdes maiņas laikā pārbaudiet, vai piedziņas ķēžratam nav redzamas nodiluma vai bojājumu pazīmes. Ja norādītajās zonās konstatējat nodiluma vai bojājumu pazīmes, lūdziet kvalificētam servisa tehniķim nomainīt piedziņas ķēžratu.

VADOTNES SLIEDES APKOPE

Kad vadotnes sliede redzamas nodiluma pazīmes, uzstādi to uz zāģa otrādi, lai izlīdzinātu nodilumu maksimālam sliedes kalpošanas ilgumam. Katrā lietošanas dienā sliede jānotīra un jāpārbauda, vai nav redzamas nodiluma pazīmes un bojājumi. Sliedes līniju atstarpošanās un atskabargu veidošanās ir normāls sliedes nodilšanas process. Šādas nepilnības jānotīrī ar vīli tiklīdz tās tiek konstatētas. Sliedi, kurai ir kāds no šiem bojājumiem, jānomaina:

- nodilums sliedes līnijās, kuras ļauj uzlikt ķēdi sāniski;
- saliekta vadotnes sliede;
- iekļūstīšanās vai saplīsums sliedes līnijās;
- izpletušās sliedes līnijas.

Turklāt vadotnes sliedes galā ir ķēžrats (A-20 att.). Šis ķēžrats katru nedēļu jāieļļo ar eļļas šļirci, lai pagarinātu vadotnes sliedes kalpošanas ilgumu. Izmantojot eļļas šļirci, iknedēļu veiciet ieeļļošanu ar ķēdes eļļu caur eļļošanas atveri (A-19 att.). Pagrieziet vadotnes sliedi un pārliecinieties, vai eļļošanas atverēs un ķēdes rievā nav grūžu.

TRANSPORTĒŠANA UN UZGLABĀŠANA

- Neuzglabājiet vai netransportējiet ķēdes zāģi, kamēr tas darbojas. Vienmēr pirms novietošanas glabāšanā vai transportēšanas izņemiet akumulatoru.
- Vienmēr pirms ķēdes zāģa novietošanas glabāšanā vai transportēšanas uzlieciet vadotnes sliedi un ķēdei vadotnes sliedes pārvalku. Rīkojieties uzmanīgi, lai izvairītos no asajiem ķēdes zobiem.
- Pirms uzglabāšanas rūpīgi notīriet ķēdes zāģi. Uzglabājiet ķēdes zāģi iekštelpās, sausā un aizslēgtā vai bērniem nepieejamā vietā.
- Sargājiet no kodīgām vielām, piemēram, dārzā lietojamajām ķīmikālijām un atledošanas sāls.

Apkārtējās vides aizsardzība



Neutilizējiet elektrisko aprīkojumu, akumulatora uzlādes ierīci un akumulatorus / atkārtoti uzlādējamās baterijas sadzīves atkritumos.

Saskaņā ar Eiropas Parlamenta un Padomes Direktīvu 2012/19/ES, kā arī Direktīvu 2006/66/EK nederīgas elektriskās un elektroniskās iekārtas un bojāti vai izlietoti akumulatori/baterijas jāsavāc atsevišķi.

Ja elektriskās ierīces tiek utilizētas atkritumu poligonos vai izgāztuvēs, bīstamās vielas var nonākt gruntsūdenī un līdz ar to barības ķēdē, tādējādi radot kaitējumu jūsu veselībai un labsajūtai.

EK ATBILSTĪBAS DEKLARĀCIJA



Mēs, CHERVON EUROPE LTD.

47 CASTLE STREET, READING, RG1 7SR, UNITED KINGDOM

apliecinām, ka šis izstrādājums, **56 V lītiņa jonu bezvadu ķēdes zāģis CS1400E/CS1600E**, atbilst būtiskajām veselības un drošības prasībām, kas norādītas šādās direktīvās: 2006/42/EK, 2004/108/EK, 2011/65/ES, 2000/14/EK, kā arī šādiem standartiem un tehniskajām specifikācijām: EN 60745-1, EN 60745-2-13, EN 55014-1, EN 55014-2.

	CS1400E	CS1600E
Izmērītais trokšņa jaudas līmenis:	96,73 dB(A)	96,4 dB(A)
Garantētais trokšņa jaudas līmenis:	100 dB(A)	99 dB(A)

Piters Melrouzs
Chevron Europe viceprezidents

Dongs Žjanhuns
Chevron kvalitātes vadītājs

* (CHERVON pilnvarotais pārstāvis un atbildīgais par tehnisko dokumentāciju)

01/01/2016

Pilnvarotās iestādes nosaukums, adrese un identifikācijas numurs:

TÜV Rheinland LGA Products GmbH; Tillystraße 2 D - 90431 Nürnberg, Germany; 0197.

EK tipa pārbaudes sertifikāta numurs:
BM 50326004 0001 (CS1600E)
BM 50296271 0001 (CS1400E)

LV

KĻŪDU NOVĒRŠANA

▲ BRĪDINĀJUMS. Vienmēr aizsargājiet savas rokas, valkājot biezus cimdus zāģa ķēdes apkopes darbu veikšanas laikā. Vienmēr pirms ķēdes zāģa apkopes darbu veikšanas vai transportēšanas izņemiet akumulatoru.

PROBLĒMA	CĒLONIS	RISINĀJUMS
Dzinējs nedarbojas.	<ul style="list-style-type: none"> ■ Ķēdes zāģi nav ievietots akumulators. ■ Starp zāģi un akumulatoru nav elektriskā savienojuma. ■ Akumulators ir izlādējies. ■ Akumulators vai ķēdes zāģis ir pārāk karsts. ■ Pirms palaišanas slēdža nospiešanas nav nospiesta bloķēšanas poga. ■ Ķēdes bremze ir aktivizēta. ■ Zāģa ķēde ir iestrēgusi kokā. ■ Gruži slīdes rievā. ■ Gruži sānu pārsegā. 	<ul style="list-style-type: none"> ■ Ievietojiet ķēdes zāģi akumulatoru. ■ Izņemiet akumulatoru, pārbaudiet visus savienojumus un ievietojiet atpakal akumulatoru. ■ Uzlādējiet akumulatoru. ■ Ļaujiet akumulatoram vai ķēdes zāģim atdzist līdz temperatūra nokrītās zemāk par 67 °C. ■ Nospiediet un turiet nospiešu bloķēšanas pogu, tad nospiediet palaišanas slēdzi, lai ieslēgtu ķēdes zāģi. ■ Pavelciet ķēdes atsienas bremzes rokturi uz aizmuguri priekšējā roktura virzienā. ■ Atlaidiet palaišanas slēdzi, noņemiet zāģa ķēdi un vadotnes joslu no koka un pēc tam no jauna ieslēdziet zāģi. ■ Piespiediet zāģa ķēdi pret koku, kustiniet ķēdes zāģi uz priekšu un aizmuguri, lai atbrīvotos no gružiem. ■ Izņemiet akumulatoru, pēc tam noņemiet sānu pārsegu un iztīriet gružus.
Dzinējs darbojas, bet ķēde negriežas.	<ul style="list-style-type: none"> ■ Ķēde neiedarbina piedziņas ķēžratu. 	<ul style="list-style-type: none"> ■ Uzstādiet atpakal ķēdi, pārliedzinoties, ka ķēdes piedziņas locekļi pilnībā atrodas uz ķēžrata.
Ķēdes bremze nedarbojas.	<ul style="list-style-type: none"> ■ Gruži kavē pilnīgu ķēdes atsienas bremzes roktura kustību. ■ Iespējami ķēdes bremzes darbības traucējumi. 	<ul style="list-style-type: none"> ■ Iztīriet gružus no ārējā ķēdes bremzes mehānisma. ■ Sazinieties ar EGO klientu apkalpošanas nodaļu.

PROBLĒMA	CĒLONIS	RISINĀJUMS
<p>Ķēdes zāģis neatbilstoši zāģē.</p>	<ul style="list-style-type: none"> ■ Nepietiekams ķēdes spriegums. ■ Trula ķēde. ■ Ķēde uzstādīta uz otru pusi. ■ Nodilusi ķēde. ■ Sausa vai pārāk izstiepta ķēde. ■ Ķēde neatrodas sliedes rievā. 	<ul style="list-style-type: none"> ■ Atkārtoti noregulējiet ķēdes spriegojumu, kā aprakstīts nodaļā: „ĶĒDES SPRIEĢOJUMA REGULĒŠANA”. ■ Uzasiniet ķēdes griezējus, kā aprakstīts nodaļā: „GRIEZĒJU UZASINĀŠANA”. ■ Uzstādiet atpakaļ zāģa ķēdi, kā aprakstīts nodaļā: „SLIEDES UN ĶĒDES MAIŅA”. ■ Nomainiet ķēdi, kā aprakstīts nodaļā: „SLIEDES UN ĶĒDES MAIŅA”. ■ Pārbaudiet eļļas līmeni. Ja nepieciešams, uzpildiet eļļu tvertnē. ■ Uzstādiet atpakaļ zāģa ķēdi, kā aprakstīts nodaļā: „SLIEDES UN ĶĒDES MAIŅA”.
<p>Sliede un ķēde ir karstas un dūmo.</p>	<ul style="list-style-type: none"> ■ Pārbaudiet, vai ķēde nav pārāk cieši nospriegota. ■ Ķēdes eļļas tvertne ir tukša. ■ Gruži vadotnes sliedes rievā. 	<ul style="list-style-type: none"> ■ Atkārtoti nospriegojiet zāģa ķēdi, kā aprakstīts nodaļā: „ĶĒDES SPRIEĢOJUMA REGULĒŠANA”. ■ Uzpildiet sliedes un ķēdes smērvielu. ■ Izfīriet gruzus no rievās.

GARANTIJA

EGO GARANTIJAS POLITIKA

Lūdzu, apmeklējiet tīmekļa vietni egopowerplus.com, kur pieejama pilna EGO Garantijas politikas noteikumu un nosacījumu versija.

LUGEGE KÕIKI JUHISEID!



LUGEGE JUHEND LÄBI JA PÜÜDKE SELLEST ARU SAADA

⚠️ Kaasnev risk! Inimesed, kes kasutavad elektroonilisi seadmeid, nt südamestimulaatorit, peaksid enne selle toote kasutamist konsulteerima oma arstiga. Elektriseadmete kasutamine südamestimulaatori läheduses võib põhjustada südamestimulaatori häireid või rikkeid.

⚠️ HOIATUS: Ohutuse ja töökindluse tagamiseks tohivad seda seadet remontida ainult vastava kvalifikatsiooniga hooldustehnikud.

OHUTUSSÜMBOLID

Ohutussümbolite eesmärk on tõmmata teie tähelepanu võimalikele ohtudele. Ohutussümbolite ja nende juures olevate seletustele tuleb korralikult tähelepanu pöörata ja need endale selgeks teha. Ohutussümbolid iseenesest ei kõrvalda ohu olemasolu. Nendega kaasnevad juhendid ja hoiatused ei asenda korralikke õnnetuste vältimise meetmeid.

⚠️ HOIATUS: Enne käesoleva seadme kasutamist lugege kindlasti läbi ja tehke endale selgeks kõik Kasutusjuhendis toodud ohutusjuhised, sh kõik ohutussümbolid nagu „OHT”, „HOIATUS”, ja „ETTEVAATUST”. Kui te ei järgi kõiki allpool toodud juhiseid, võib tekkida elektrilöögi, tulekahju ja/või raske kehavigastuse oht.

SÜMBOLITE TÄHENDUSED

TURVATEATE SÜMBOL Tähistusega OHT, HOIATUS, või ETTEVAATUST. Võidakse kasutada koos teiste sümbolite või piktograafidega.

⚠️ HOIATUS: Mis tahes elektriliste tööriistade kasutamine võib põhjustada võõrkehade paiskumist silma, mis võib põhjustada tõsiseid silmakahjustusi. Kandke elektriliste tööriistade kasutamise ajal alati külgkaitsetega kaitseprille ja vajadusel täielikku näokaitset. Soovitame kanda prillide peal laia vaatealaga kaitsemaski või tavalisi külgkaitsetega kaitseprille.

OHUTUSJUHISED

Sel lehel on kujutatud ja kirjeldatud ohutusesümboliteid, mida võib käesolevalt tootelt leida. Enne, kui üritate masinat kokku panna ja kasutada, lugege, tehke omale selgeks ja järgige kõiki juhiseid.

ET

	Ohutusteade	Viitab kehavigastuste ohule.
	Lugege kasutusjuhendit	Vigastuste ohu vähendamiseks peab kasutaja lugema kasutusjuhendit.
	Kandke kaitseprille	Kandke selle toote kasutamise ajal alati kaitseprille või külgkaitsetega kaitseprille ja täielikku näokaitset.
	Kasutage kõrvade kaitsevahendeid	Kasutage seadmega töötades alati kuulmiskaitset
	Kandke tugevat peakatet	Pea kaitsmiseks kandke nõuetekohast tugevast materjalist peakatet.
	Kandke töökindaid	Sae ja saeketiga töötades kandke käte kaitsmiseks kindaid. Tugevad ja mittelibisevast materjalist kindad tugevdavad haaret ja kaitsevad käsi.
	Juhtlatt	Teave juhtlatti kohta.
	Arvestage tagasilöögi	Vältige juhtlatti tippu kokkupuudet teiste objektidega.
	Juhtlatti tippu tagasilöögi	Kui tipp puutub kokku teiste objektidega, võib juhtlatt järsult üles-alla liikuda ning raskeid vigastusi põhjustada.
	Kahe käe haare	Mootorsaega töötades kasutage alati kaht kätt.
	Vältige seadme kokkupuudet vihmaga	Ärge kasutage seadet vihmajärgel ja ärge jätke seadet vihma kätte.
	CE	Toode vastab EÜ direktiividele.
	Müra	Garanteeritud helivõimsuse tase. Müratase vastavalt Euroopa Ühenduse direktiivile.

	WEEE	Elektrilisi jäätmeid ei tohi visata olmeprügi hulka. Viige need ametlikku jäätmekäitluskeskusesse.
V	volti	Pinge
A	amprit	Voolutugevus
Hz	hertsi	Sagedus (tsükli sekundis)
W	vatti	Võimsus
min	minutit	Aeg
	vahelduvvool	Voolu tüüp
	alalisvool	Voolu tüüp või omadus
η_0	Tühikäigu kiirus	Tühikäigu pöörlemiskiirus
... /min	Minutis	Pööret minutis

ÜLDISED MOOTORIGA TÖÖRIISTADE HOIATUSED

⚠ HOIATUS: Lugege läbi kõik turvalisusega seotud hoiatused ja juhised. Kui te ei arvesta allpool toodud hoiatusi ja juhiseid, võib tekkida elektrilöögi, tulekahju ja/ või raske kehavigastuse oht.

Säilitage hoiatused ja juhised hilisemaks kasutuseks.

Hoiatuses kasutatud termin "mootoriga tööriist" viitab voolu jõul (juhtmega) töötavale mootoriga tööriistale või aku jõul töötavale (juhtmeta) tööriistale.

TÖÖPIIRKONNA OHUTUS

- **Tööpiirkond peab olema puhas ja hästi valgustatud.** Segadus või valgustamata tööpiirkonnad suurendavad õnnetuste tõenäosust.
- **Ärge kasutage elektrilisi tööriistu plahvatusohtlikus keskkonnas, kus leidub nt tuleohtlikke vedelikke, bensiini või tolmu.** Mootoriga tööriistad tekitavad sädemeid, mis võivad süüdata tolmu või aurasid.
- **Mootoriga tööriistadega töötamisel hoidke lapsed ja kõrvalseisjad eemal.** Tähelepanu hajumisel võite kaotada kontrolli seadme üle.

ELEKTRILINE OHUTUS

- **Elektrilised tööriistad tuleb ühendada sobivasse pistikupessa. Ärge kunagi muutke pistikut mitte mingil viisil. Ärge kasutage koos maandatud elektriliste tööriistadega mingisuguseid üleminekuadaptereid.** Muutmata pistikute ja sobivate pistikupesade kasutamine vähendab elektrilöögi ohtu.
- **Vältige kehalist kontakti maandatud pindadega (nt torud, radiaatorid, piirded, külmikud).** Kui teie keha on maandatud, suureneb elektrilöögi oht.
- **Ärge jätke elektrilisi tööriistu vihma kätte ega niisketesse tingimustesse.** Vee sattumine elektrilise tööriista sisse suurendab elektrilöögi ohtu.
- **Ärge rikkuge juhet. Ärge kasutage juhet elektritööriista kandmiseks või tõmbamiseks ja ärge tõmmake juhtmest, kui soovite pistikut pistikupesast eemaldada.** Väliste juhtme kokkupuudet kuumade objektide, õli, teravate äärte või liikuvate osadega. Kahjustatud või puntras juhtmed suurendavad elektrilöögi ohtu.
- **Elektrilise tööriistaga välitingimustes töötamiseks kasutage välitingimustesse sobivat pikendusjuhet.** Välitingimustesse sobiva juhtme kasutamine vähendab elektrilöögi ohtu.
- **Kui peate kindlasti tööriista märjas kohas kasutama, kasutage seadet, millel on maandusrikke katkestus.** Selle reegli järgimine vähendab elektrilöögi ohtu.

ISIKLIK OHUTUS

- **Olge tähelepanelik, töötage hoolikalt ja kasutage tervet mõistust. Ärge kasutage elektrilist tööriista, kui olete väsinud või tarvitanud narkootikume, alkoholi või ravimeid.** Vaid hetkeline tähelepanematus mootoriga tööriista kasutamisel võib põhjustada raskeid kehavigastusi.
- **Kasutage isikukaitsevahendeid. Kandke silmakaitsevahendeid.** Töötingimustele vastava kaitsevarustuse (nt tolmu maski, mittelibisevate turvakingade, tugeva peakatte või kuulmiskaitsete) kasutamine vähendab kehavigastuste ohtu.
- **Vältige soovimatut käivitumist. Veenduge, et lüliti on mitteaktiivses asendis enne kui ühendate vooluvõrgu või akuplokiga ning enne seadme kandmist või üles tõstmist.** Elektritööriistade kandmine sõrme lüliti hoides või aktiivses olekus lülitiga põhjustab õnnetusi.
- **Enne tööriista sisselülitamist eemaldage sellelt kohandusvõtmed ja nutrivõtmed.** Tööriista pöörleva osa külge unustatud tööriistad võivad põhjustada kehavigastusi.

- **Ärge küünitage liiga kaugele. Töötage ainult kindlal maapinnal ja kohtades, kus pole ohtu tasakaalu kaotada.** Nii säilitate tööriista üle ootamatutes olukordades parema kontrolli.
- **Riietuge asjakohaselt. Ärge kandke ehteid ega avaraid riideid. Vältige oma juuste, riiete ja kinnaste kokkupuudet liikuvate osadega.** Liiga avarad riided, ehted ja pikad juuksed võivad liikuvate osade vahele kinni jääda.
- **Kui tootega on kaasas vahendid tolmu kogumise ja väljavõtuseadmete ühendamiseks, veenduge, et need seadmed on korralikult ühendatud ja korrektses kasutuses.** Tolmukogumisseadmete kasutamine vähendab tolmu seotud ohtusid.

AKUSEADMETE KASUTAMINE JA HOOLDUS

- **Ärge rakendage tööriista kasutamisel jõudu. Kasutage konkreetseks tööks sobivat tööriista.** Sobiva tööriistaga sobival kiirusel töötades, saate töö valmis kiiresti ja ohutult.
- **Ärge kasutage tööriista, mida ei saa lülitist sisse ja välja lülitada.** Elektrilised tööriistad, mille lülitit ei tööta, on ohtlikud ja tuleb parandada.
- **Eemaldage juhe vooluvõrgust ja/või akuplokk seadme küljest enne kui alustate seadme kohandamist, lisakomponentide lisamist või eemaldamist ja enne kui hakkate seadet hoistama.** Need ohutusmeetmed vähendavad seadme tahtmatu käivitamise võimalust.
- **Tööriistu, mida te hetkel ei kasuta, hoidke lastele kättesaamatus kohas ning ärge lubage nendega töötada isikutel, kes pole tööriistade tööpõhimõtete või käesoleva juhendiga tutvunud.** Koolitamata isikute käes on elektrilised tööriistad ohtlikud.
- **Akuseadmete hooldamine** Kontrollige, kas komponendid on korrektselt joondatud ja ega ükski osa paindunud pole ning jälgige ka muid aspekte, mis võiksid tööriista omadusi mõjutada. Kahjustuste leidmisel laske tööriist enne järgmist kasutust remontida. Paljude õnnetuste põhjuseks on kehvasti hooldatud tööriistad.
- **Hoidke oma tööriistu teravate ja puhastena.** Korralikult hooldatud ja teravate servadega löikeääred ei paindu nii kergesti ja on lihtsamini juhitud.
- **Kasutage tööriista, selle lisakomponente, tööriistaosi jm vastavalt käesolevale juhendile, võttes arvesse töötingimusi ja teostatavat tööd.** Tööriista mitte-eesmärgipärane kasutamine võib põhjustada ohtlikke olukordi.

ET

AKUSEADMETE KASUTAMINE JA HOOLDUS

- **Kasutage laadimiseks ainult tootja poolt ette nähtud laadijaid.** Akulaadija, mis sobib teatud tüüpi akuplokkidele, võib põhjustada tulekahju ohtu, kui seda kasutada mõne teise akuplokkiga.
- **Kasutage elektrilisi tööriistu ainult nende jaoks ette nähtud akuplokkidega.** Mõne muu akuploki kasutamine võib põhjustada vigastuste ja tulekahju ohtu.
- **Kui akut ei kasutata, hoidke seda eemal muudest metallesemetest nagu kirjaklambrist, müntidest, võtmetest, naeltest, kruvidest ja muudest väikestest metallesemetest, mis võivad klemmide vahel ühenduse luua.** Aku klemmide lühiühendus võib põhjustada põletushaavu ja tulekahju ohtu.
- **Valedes tingimustes kasutamisel võib akut vedelikku välja tulla; vältige kokkupuudet sellega. Kokkupuute tekkimisel loputage veega. Kui vedelik satub silma, pöörduge lisaks ka arsti poole.** Akust väljuv vedelik võib põhjustada ärritust või põletusi.

HOOLDUS

- **Laske oma akutööriista hooldada kvalifitseeritud remonditehnikul, kes kasutab ainult identseid originaalvaruosi.** See tagab akuploki ohutuse säilimise.

MOOTORSAE TURVAHOIATUSED

- **Hoidke kõik kehaosad töötava sae ketist eemal. Enne mootorsae käivitamist veenduge, et saag pole ühegi objektiga kontaktis.** Hetkeline tähelepanematus mootorsaega töötamisel võib põhjustada teie riiete või keha keti vahele kinni jäämise.
- **Hoidke alati parema käega tagumisest ja vasaku käega eesmisest käepidemest,** Vastupidiselt hoides suureneb oluliselt vigastuste oht ja niisuguse haarde kasutamine pole lubatud.
- **Hoidke tööriista ainult isoleeritud kinnihoidmiskohtadest, sest saekett võib puutuda kokku peidetud juhtmetega.** Kui saeketid puutuvad kokku voolu all olevate juhtmetega, võib elekter levida tööriista katmata metallosadele ja anda kasutajale elektrilöögi.
- **Kasutage kaitseprille ja kuulmiskaitsmeid. Soovitatav on kasutada ka täiendavaid kaitsevahendeid peale, kätele ja jalgadele.** Töötingimustele vastav kaitseriietus vähendab saega töötades tekkiva lendavast prahist ja juhuslikust kontaktist põhjustatud õnnetuste raskusastet.

- **Ärge kasutage kettsaagi puu otsas.** Puu otsas saagi kasutades tekib vigastuste oht.
- **Kasutage saagi ainult kindlal, tugeval ja tasasel pinnal seistes.** Libedatel või ebastabiilsetel pindadel (nt redelil) seistes võite kaotada tasakaalu või kontrolli oma tööriista üle.
- **Pinge all oleva oksa lõikamisel olge ettevaatlik, sest see võib teie poole paiskuda.** Puukiududes oleva pinge vabanemisel võib mõni oks vedrujõu toimele vastu operaatorit ja/või saagi paiskuda, mille tulemusena kaob kontroll sae üle.
- **Võsa ja võrsete lõikamisel olge väga ettevaatlik.** Õrn materjal võib kiiluda sae keti vahele ja lennata teie poole või tõmmata teid nii, et kaotate tasakaalu.
- **Kandke kettsaagi ainult eesmisest käepidemest hoides. Kandmise ajal peab saag olema välja lülitatud ja kehas eemal. Sae transportimisel või hoiustamisel paigaldage lõikeseadmele alati kate.** Kettsae korrektne kasutamine vähendab ohtu, et võiksite kokku puutuda liikuva saeketiga.
- **Järgige määrimise, keti pingestamise ja komponentide vahetamise juhiseid.** Ebakorrektselt pingestatud või vahetatud kett suurendab tagasilöögi ohtu.
- **Hoidke käepidemed kuivana, puhtana ja vältige õli ja rasva sattumist seadmele.** Rasvased või õlised käed on libedad, mistõttu võite seadme üle kontrolli kaotada.
- **Lõigake ainult puitu. Ärge kasutage mootorsaagi mittesihipäraselt. Näiteks ärge kasutage seda plastmassist, keraamiliste või ükskõik millise puidust erineva ehitusmaterjali lõikamiseks.** Kui kasutate tööriista mittesihipäraselt, võite tekitada ohtlikke olukordi.

TAGASILÖÖGI PÕHJUSED JA ENNETAMISE VÕIMALUSED (joonised B, C, D ja E)

Tagasilöök võib tekkida, kui juhtlati ots puutub vastu mõnda objekti või kui lõigatav puu vajub saagimise ajal vastu töötavat saagi.

Otsa kontakt võib mõnedel juhtudel põhjustada järsu vastureaktsiooni, lüüa juhtlati üles ja operaatori poole tagasi. (joon.B).

Keti tirimine juhtlati tipu juurest võib juhtlati kiiresti seadme kasutaja suunas tagasi lükata (joon. C).

Joonise B ja C osade kirjeldust vt altpoolt:

B-1	Pöörlev tagasilöök
C-1	Lineaarne tagasilöök

Mõlemate nimetatud reaktsioonide tulemusena võite kaotada seadme üle kontrolli ja saada raskeid vigastusi. Ärge lootke ainult sae sisseehitatud turvaseadmetele.

Sae kasutajana peate ka ise rakendama mitmeid meetmeid, et vältida õnnetusi või vigastusi.

Tagasilöök on väärkasutuse ja/või ebakorreksete töövõtete või töötingimuste tagajärg ning seda saab vältida, järgides alltoodud juhiseid.

- **Säilitage tugev haare, hoides põialt ja sõrmi kindlalt ümber sae käepidemete. Hoidke saagi kahe käega ning jälgige, et teie keha ja käte asend võimaldaks tagasilöögi jõude taluda (joon. E).** Tagasilöögi jõudusid saab seadme kasutaja kontrollida eelkõige asjakohaste ettevaatusabinõude rakendamisega. Ärge laske saest lahti.
- **Vältige liigset küünitamist ja ärge saagige oma õlgadest kõrgemal asuvaid objekte.** Nii väldite saeotsa soovimatuid kontakte ja säilitate ootamatutes sae üle paremini kontrolli.
- **Kasutage vaid tootja lubatud asenduslatte ja -kette.** Valede asenduslatte või -kettide kasutamisel võib kett puruneda või tekkida tagasilöök.
- **Järgige tootja antud sae teritamise- ja hooldusjuhiseid.** Sügavuse mõõdiku madalamaks toomine võib suurendada tagasilöövide esinemissagedust.
- **Veenduge, et tööpiirkonnas ei ole takistavaid objekte.** Vältige juhtlati kokkupuudet palkida, okste, aedade või muude takistavate objektidega, millele töötav saag võib vastu minna.
- **Saagimise ajal peab saag alati täiskiirusel töötama.** Vajutage lüliti päästik täielikult alla ja saagige ühtlasel kiirusel.
- **Tagasilöögi põhimõttest aru saades, saate juhuliike õnnetuste esinemise võimaluse minimeerida või elimineerida.** Töö käigus ilmnevad üllatused suurendavad õnnetuste ohtu.
- **Töötage ainult kindlal maapinnal ja kohtades, kus pole ohtu tasakaalu kaotada.**
- **Lükka ja tõmba** - puiduga kokku puutudes on reageeriv jõud on alati sae liikumissuuna suhtes vastupidine. Seetõttu peab seadme operaator suutma talitseda TÕMMET, kui saab lati alumise äärega, ja TÕUGET, kui saab lati ülemise äärega (joon. F).

SELLE SAE TAGASILÖÖGIGA SEOTUD TURVASEADMED

Ketipidur

Sellel sael on ketipidur, mis seiskab tagasilöögi tekkimisel mootori ja keti. Ketipiduri saab aktiveerida lükates keti tagasilöögi piduri hooba, kui saag pöörleb tagasilöögi ajal tagurpidi; selle aktiveerivad ka kiire tagasitõuke ajal tekkivad inertsjõud.

⚠ HOIATUS: Ärge kohandage ega üritage blokeerida ketipidurit.

Enne töö alustamist veenduge, et ketipidur töötab korrektselt. Keti tagasilöökipiduri hooba peaks saama vabalt edasi-tagasi liigutada.

Ketipiduri testimiseks läbige järgmised etapid (joon. G):

- Asetage kettsaag kuivale ja tasasele pinnale ning veenduge, et vahetus läheduses pole objekte ega takistusi, mis võiksid sattuda kontakti juhtlatisega.
- Vabastage ketipidur
- Käivitage saag.
- Lükake keti tagasilöökipiduri käepidet sae esiosa suunas. Korrektselt töötav käsipidur peatab keti liikumise koheselt. Kui ketipidur ei tööta korrektselt, ärge kasutage kettsaagi, kuni olete lasknud ketipiduri nõuetekohase kvalifikatsiooniga tehnikul parandada.

Joonise G osade kirjeldust vt altpoolt:

G-1	Keti tagasilöökipiduri käepide tööasendis
G-2	Keti tagasilöökipiduri käepide pidurdusasendis

⚠ HOIATUS: Enne iga kasutuskorda kontrollige, kas ketipidur töötab.

⚠ HOIATUS: Kui ketipiduri tööd takistavad puiduosakesed, võib ketipiduri toime häiritud olla. Hoidke seadet alati puhtana.

Väikese tagasilöögiga kettsaag

Iga löikeseadme ees olevad räsad (sügavusmõõdikud) minimeerivad potentsiaalse tagasilöögi jõudu, takistades löikurite liiga sügavale tagasilöögi tsooni sisenemist. Kasutage ainult originaalketiga ekvivalentset või sobiva sertifikaadiga asendusketi.

⚠ ETTEVAATUST: Kuna saeketi aeg-ajalt teritatakse, kaotavad need mõningaid väikest tagasilööki tagavaid omadusi ja selle võrra tuleks töötades ettevaatlikum olla.

LISAHOIATUSED

ET

- **Kettsaagi tuleb töö ajal hoida kahe käega.** Ühe käega töötamine võib põhjustada raskeid vigastusi seadme operaatorile ja/või kõrvalseisjatele.

- **Vältige tahtmatut kontakti saeketiga või juhtlatisel rellsidega.** Need võivad väga teravad olla. Kettsae, saeketi või juhtlatisel käsitsemisel kasutage alati kindaid ja pikki pükse või jalakaitseid.
- **Ärge kasutage kettsaagi, mis on kahjustatud valesiti kohandatud või pole täielikult ja turvaliselt komplekteeritud.** Veenduge, et saekett seiskub pärast päästiku lüliti vabastamist.
- **Veenduge, et tööpiirkonnas pole naelu, juhtmeid ega muid võõrkehi.**
- **Jämeda objekti saagimisel tugevdage enne töö alustamist tööriista kinnitusi Puudelangetamisel või -laasimisel tehke eelnevalt kindlaks ohtlikud oksad ja tagage enda ohutus.**
- **Liiga jõulisel löikamisel või kettseadme väärkasutamise korral võite kiirendada juhtlatisi, keti ja/või ketiratta kulumist. Kett või juhtlatis võib ka katki minna, mille tulemusena võib tekkida tagasilööki või kett või materjal lendu tõusta.**
- **Ärge kasutage juhtlatisi hoovana.** Paindunud juhtlatis võib põhjustada lati, keti ja/või ketiratta kulumist. Kett või juhtlatis võib ka katki minna, mille tulemusena võib tekkida tagasilööki või kett või materjal lendu tõusta.
- **Lõigake korraga ainult üht objekti.**
- **Kasutage ainult järgnevalt nimetatud akuplokke ja laadijaid:**

AKU	LAADIJA
BA1120E, BA2240E, BA2800, BA3360, BA4200	CH5500E, CH2100E

- **Ärge laadige akuplokki niisketes ega märgades tingimustes.**
- **Tehke tööplaan, veendudes, et tööalal pole takistusi ja langeva puu eest põgenemiseks on vähemalt üks kiire tee.**
- **Puulangetamise ajal peavad kõrvalseisjad vähemalt kahe puupikkuse kaugusel olema.**
- **Kui esineb olukordi, mis pole käesolevas juhendis kirjeldatud käituge hoolsalt ja lähtuge tervest mõistusest. Küsige abi EGO hoolduskeskusest.**

JUHTLATT

Selle saega on kaasas väikese tipuga juhtlatis. Väikeste tippude kasutamisel on tagasilöögi oht väiksem. Kui vajate uut juhtlatisi, valige see käesolevas juhendis loetletute hulgas.

HOIDKE SEE KASUTUSJUHEND ALLES!

SPETSIFIKATSIOONID

Mudel	CS1400E	CS1600E	
Pinge	56 V ---	56 V ---	
Juhtlati pikkus	350 mm	400 mm	
Keti vint	9,5 mm	9,5 mm	
Keti mõõdik	1,1 mm	1,1 mm	
Saeketi tüüp	90PX052X (Oregon)	90PX052X (Oregon) 90PX056X (Oregon)	
Juhtlati tüüp	144MLEA041 (Oregon)	144MLEA041 (Oregon) 164MLEA041 (Oregon)	
Keti õlimahuti maht.	150 ml	150 ml	
Mass (ilma akuploki ja keti kestata)	3,81 Kg	3,86 Kg	
Mõõdetud helirõhk L_{WA}	96,73 dB(A) $K_{WA} = 2,5$ dB(A)	96,4 dB(A) $K_{WA} = 2,5$ dB(A)	
Helirõhk seadme operaatorkõrva juures L_{PA}	85,73 dB(A) $K_{PA} = 2,5$ dB(A)	85,4 dB(A) $K_{PA} = 2,5$ dB(A)	
Garanteeritud helirõhu tase L_{WA} (vastavalt 2000/14/EC)	100 dB(A)	99 dB(A)	
Vibratsioon a_h	Tagumine käepide	5,373 m/s ² K=1,5 m/s ²	3,222 m/s ² K=1,5 m/s ²
	Eesmine käepide	4,146 m/s ² K=1,5 m/s ²	3,081 m/s ² K=1,5 m/s ²

■ Ametlik vibratsioonitaseme näit on mõõdetud standardsete testmeetodite kohaselt ja seda võidakse kasutada erinevate tööriistade võrdlemiseks.

■ Ametlikku vibratsioonitaseme näitu võib kasutada ka algse kokkupuutehinnangu andmiseks.

MÄRKUS: Tegelikul kasutamisel tekkiv vibratsioonitase või ametlikult märgitust erineb; turvalisuse eesmärgil peaks seadme kasutaja kandma kindaid ja kuulmiskaitseid.

PAKENDI LOEND

OSA NIMI	KOGUS
Kettsae löikepea	1
Sae kett	1
Juhtlatt	1
Keti kest	1
Kasutusjuhend	1

KIRJELDUS

TUNNE OMA KETTSAAGI (joon. A)

- Päästik
- Lukustusnupp
- Akuvabastusnupp
- Õlimahuti kork
- Õliinivoo kontrollaken
- Sae kett
- Juhtlatt
- Riiv
- Väljutusmehhanism
- Elektrikontaktid
- Keti tagasilöögipiduri hoob
- Keti pingestusnupp
- Eesmine käepide
- Tagumine käepide
- Keti pingestuskruvi
- Küljekate
- Küljekatte nupp
- Keti kest
- Määrimisauk
- Juhtlati tipu juures asuv ketiratas

MÄRKUS: Keti tagasilöögipiduri käepide on ühtlasi ketipiduri aktiveerimise hoob. Samuti kaitseb see langevate okste eest ja võimaldab ennetada vasaku käega sae vastu minemist, kui eesmine käepide peaks käest ära libisema.

SEADE

⚠ HOIATUS: Kui mõni osa on kahjustatud või puudub, ärge kasutage seadet enne kui see osa on parandatud. Kasutades kahjustatud või vajalike komponentideta seadet, võite saada raskeid vigastusi.

⚠ HOIATUS: Ärge üritage seadet ümber ehitada ega kasutada lisaseadmeid, mis pole mõeldud kasutamiseks selle saega. Kõik niisugused muudatused loetakse väärkasutuseks ja need võivad põhjustada ohtlikke olukordi, mis lõppevad raskete vigastustega.

⚠ HOIATUS: Raskeid vigastusi põhjustada võiva juhusliku käivitumise vältimiseks eemaldage seadmeosade kokkupaneku ajaks alati akuplokk.

LATI JA KETI ASENDAMINE

⚠ HOIATUS: Juhtlati ja keti käitlemisel kandke alati kindaid; need komponendid on teravad ja võivad sisaldada ogasid.

1. Pange sae mootoripoolne osa küllili nii, et küljekaas jääb ülespoole (joon. H).
2. Küljekaane eemaldamiseks pöörake sellele olevat nuppu vastupäeva. Seejärel pöörake ketti pinges hoidev nupp nii lahti kui võimalik.
3. Paigaldage uus kett siledal pinnal hammastele ja tõmmake kõik kühmud sirgeks (joon. I).
4. Asetage keti veolülid juhtlati soone sisse ja lükake kett juhtlati tagaosa peale (joon. J).
5. Hoidke ketti juhtlatil ja asetage silmus ümber löikepea ketiratta.
6. Libistage juhtlatt üle joondamisäärikute kuni pingekohandustihvt siseneb lati otsas asuvasse madalamasse auku (joon. L1).

MÄRKUS: Ketile on graveeritud väikesed suunavad jooned. Veel üks suunav joon on kantud korpuse peale. Sae keti ketiratta peale panemisel veenduge, et ketil olevate noolte suund ühtib korpusel oleva noole suunaga. Kui noolte suunad on vastupidised, pöörake juhtlatt koos ketiga ümber (joon. L2).

7. Paigaldage küljekaas tagasi ja keerake küljekaane nupp õrnalt kinni.
8. Tõstke juhtlati ots üles ja kontrollige ega kuskil kühme pole (joon. K). Laske juhtlati ots lahti ja pöörake keti pingestusnuppu päripäeva. Korrake toimingut kuni kett on sirge.
9. Keerake küljekaane nupp tugevalt kinni, et saekett oleks enne töö alustamist korralikult pinguldatud.

Jooniste J ja L osade kirjeldus, vt allapoole:

J-1	Ketiajami lülid	L-2	Pinge reguleerimise tihvt
J-2	Juhtlati soon	L-3	Juhtlati pesa
L-1	Joondusäärik	L-4	Ketiratas

MÄRKUS: Juhtlati tööea pikendamiseks pöörake latt aeg-ajalt teistpidi.

MÄRKUS: Kui kett on liiga pingul, ei käi see ringi. Keerake küljekaane nupp veidi lahti ja pöörake keti pingestusnuppu ühe astme võrra paremalt vasakule. Tõstke juhtlati ots üles ja keerake küljekaane nupp uuesti tugevalt kinni. Kontrollige, kas kett pöörleb paindumata.

KETI PINGE MUUTMINE

- Enne keti pinge kohandamist seisake mootor ja eemaldage akuplokk. Veenduge, et küljekaane nupp on lahti keeratud. Pingestamiseks pöörake keti pingestusnuppu päripäeva. Lisateavet vaadake alalõigust "**LATI JA KETI ASENDAMINE**".
- Külm kett on õigesti pingestatud, kui juhtlati all pole lõtku ja kett on tihedalt ümber lati, aga seda saab käega ilma painutamata pöörata. Kui ketilülid lamedad osad ei ole lati soones, tuleb ketti pinguldada.
- Tavaliselt keti temperatuur töö käigus tõuseb. Normaalselt pingestatud sooja keti lülid on umbes 1,3 mm võrra juhtlati soonest väljas (joon. M)

MÄRKUS: Uued ketid venivad. Kontrollige keti pinguldatust sageli ja pinguldage vastavalt vajadusele.

MÄRKUS: Soojalt pinguldatud kett võib jahtudes liiga pingul olla. Enne järgmist kasutuskorda kontrollige külma keti pinguldatust.

KASUTAMINE

⚠ HOIATUS: Ärge muutuge toodet tundma õppides hooletuks. Pidage meeles, et raskeid vigastusi põhjustavaks õnnetuseks piisab ka sekundi murdosa pikkusest tähelepanematusesest.

⚠ HOIATUS: Kandke alati küljekaitsega turvaprilile. Vastasel korral võib teile midagi silma lennata ja võite saada ka muud laadi raskeid vigastusi.

⚠ HOIATUS: Ärge kasutage lisaseadmeid või -tarvikuid, mida selle seadme valmistaja pole soovitanud. Mittesoovitavate lisaseadmete või -tarvikute kasutamine võib põhjustada raskeid kehavigastusi.

⚠ HOIATUS: Tahtmatu käivitamise vältimiseks eemaldage seadme kokkupanemise, kohandamise, puhastamise või mitte kasutamise ajaks alati aku.

Enne igakordset kasutamist kontrollige, et seadmel poleks kahjustatud, puuduvaid ega lahtiseid detaile, kruvisid, mutreid, polte jm. Tugevdage kõik kinnitused ja ärge kasutage seadet kuni kõik puuduavad või kahjustatud osad on asendatud.

RAKENDUS

Seda saagi võib kasutada puulangetuseks, laasimiseks, kärpimiseks või tükeldamiseks.

MÄRKUS: Seadet tohib kasutada vaid käesolevas juhendis lubatud eesmärgil. Igasugust muud kasutust loetakse väärkasutuseks.

LATI JA KETI MÄÄRDEAINE LISAMINE

⚠ HOIATUS: Ärge suitsetage ega tooge tuleallikaid õli ega sae lähedusse. Õli võib maha valguda ja tulekahju põhjustada.

MÄRKUS: Ostetud saag ei ole algselt õliga täidetud. Enne esmakasutust tuleb õlipaak kindlasti täita. Ketti õlitatakse töö käigus ketiõliga automaatselt.

1. Pange saag küllili nii, et õlimahuti kork jääb ülespoole.
2. Puhastage kork ning selle ümbrus ka pöörake korki avamiseks vastupäeva (joon. N).
3. Valage eriotstarbelist õli ettevaatlikult mahutisse kuni nivoo tühise filterkaela alumise ääreni.
4. Pühkige ära üleliigne õli ja keerake kork tagasi.

MÄRKUS: Püstises asendis sael peaks õlinivoo ulatuma kontrollakna ülemise ääreni. Kui õli pole kontrollaknas enam näha, lõpetage seadme kasutamine ja lisage õli.

AKUPOKLOKI PAIGALDAMINE/EEMALDAMINE

Laadige enne esimest kasutamist täielikult.

Kinnitamine (joon. O)

Joondage aku ribad paigaldussoontega ja suruge akuploki alla kuni kuulete klõpsatust.

Lahti ühendamine (joon. P)

Vajutage akuvabastusnuppu ja tõmmake akuplokk välja.

SAE KÄIVITAMINE/SEISKAMINE

MÄRKUS: Enne sae käivitamist kontrollige õlitaset, saehammaste teravust ja tagasilöögipiduri tööd. Lisaks tuleb töötada kindlal maapinnal ja piisaval kõrgusel maapinnast.

Käivitamine

1. Tõmmake keti tagasilöögipiduri käepidet eesmise käepideme poole tööasendisse (Joon. G).
2. Võtke kindlalt eesmisest ja tagumisest käepidemest kinni.
3. Vajutage esmalt lukustusnuppu ja seejärel pigistage käivitamiseks päästiklüüti (Joon. Q). Vabastage lukustusnupp ja jätke jätkamiseks vajutage endiselt ka päästiklüütile.

⚠ HOIATUS: Ärge üritage saagi käivitada, kui sae kett on lõike sees.

Peatamine:

1. Vabastage päästiklüüti.
2. Ketipiduri aktiveerimiseks lükake keti tagasilöögipiduri käepidet ettepoole pidurdusasendisse (joon. G).

⚠ HOIATUS: Tööpauside ajal ja pärast töö lõpetamist eemaldage sae küljest alati akuplokk.

Korrektne käepidemetest hoidmise viis (joon. E)

- Võimalikult tugeva haarde ja turvalisuse tagamiseks kasutage mittelibisevast materjalist kindaid.
- Asetage saag kindlale ja tugevale pinnale ning hoidke seda kahe käega.
- Võtke alati vasaku käega kinni eesmisest käepidemest ja parema käega tagumisest.
- Asetage sõrmed ümber käepideme nii et põial on käepideme all.

⚠ HOIATUS: Ärge kunagi töötage vasakukäelise haardega (käed risti) ega niisuguse hoiakuga, mille puhul teie keha või käsi jääb liikuva saeketi kohale (joon. R).

Õige tööasend (joon. S)

- Jalad tuleb toetada tugevale pinnale ja raskus peab jalgade vahel ühtlaselt jagunema.
- Vasak käsi peab olema sirge ja küünarnukk fikseeritud. Nii suurendate tagasilöögiga tekkivate jõudude taluvust.
- Teie keha peaks alati olema ketist vasakul.

JUHISED ÕIGE METSARAIE, LAASIMISE JA JÄRKAMISE TEHNIKA RAKENDAMISEKS

⚠ HOIATUS: Seiske alati kindlal maapinnal ja hoidke töötavat saagi tugevalt kahe käega.

⚠ HOIATUS: Kui peatate sae sest tunnete saagimise ajal kinni jäämist, vabastage päästik; eemaldage sae kett ja juhtlapp puidu küljest ning käivitage saag uuesti.

ET

⚠ HOIATUS: Ärge tõmmake saepuru vahele kinni jäänud ketti käega. Juhuslikult käivitav saag võib põhjustada raskeid õnnetusi. Suruge sae kett vastu puitu ning liigutage mustuse eemaldamiseks saagi edasi-tagasi. Enne puhastamist eemaldage alati akuplokk. Sae käitamisel kandke alati tugevaid töökindaid.

⚠ HOIATUS: Ärge hoidke saagi käivitamise ajal puidu vastas. Ärge puudutage saega puitu enne kui saag on saavutanud maksimaalse töökiiruse.

Puu langetamine

- Kui puu langetamise ja tükeldamisega tegelevad korraga mitu inimest, peab tükeldamiskoht jääma langetatavat puust vähemalt kahekordse kukutatava puu pikkuse kaugusele. Puude langetamisel ei tohi seada ohtu inimesi või elektriline ega põhjustada varalisi kahjusid. Kui puu siiski satub kontakti elektriliiniga, teavitage kohaselt asjakohaseid asutusi.
- Künkal töötades peab sae kasutaja seisma puust kõrgemal, sest tõenäoliselt kukub või veereb lõigatav puu künkast alla.
- Enne langetamist tuleks planeerida, millist eemaldumisteed saab vajadusel kasutada, ning vabastada see tee takistustest. Taganemistepeaks jääma otse ja diagonaalselt eeldatavalt kukkumissuunale vastupidisesse suunda, nagu on näidatud joonisel T.
- Enne langetustööde alustamist võtke arvesse puu loomuliku kallet, puu suuremate okste paiknemist ning tuule suunda ja arvestage selle järgi, kuhu poole puu võiks kukkuma hakata.
- Eemaldage puult mustus, lahtine puukoor, naelad, klambrid ja traadid.

Alllõikega sälkamine

Tehke sälk 1/3 puu diameetri ulatuses langemissuunaga risti, nagu näidatud joonisel U. Esmalt tehke alumine horisontaalne sälk. Nii väldite saeketi või juhtlati näpistamist teise sälgu tegemise ajal.

Tagalõige langetamisel

- Tehke puulangetamisel tagalõige horisontaalse sälgust vähemalt 50 mm kõrgemalt, nagu näidatud joonisel U. Jälgige, et tagalõige oleks eesmise horisontaalse sälguga paralleelne. Tehke tagalõige selliselt, et jääks alles piisav kogus puitu, mis toimiks hingena. Hingetükk hoiab ära puu keerdumise ning vales suunas kukkumise. Ärge lõigake hinge läbi.
- Kui jõuate langetamislõikega hinge lähedale, peaks puu kukkuma hakkama. Kui on väikene võimalus, et puu ei lange soovitud suunas või võib tagasi painduda ja saagi vigastada, katkestage saagimine enne kui tagalõige on lõpetatud ja lõpetage langetustöö kiilukirve abil, et suunata puu soovitud suunda.

- Kui puu hakkab langema võtke saag puu avast ära, seisake mootor, pange saag maha ja eemalduge plaanitud rada mööda. Jälgige kukkuda võivad oksid ja oma jalgeesist.

Jooniste T ja U osade kirjeldus, vt allapoole:

T-1	Puulangetussuund	U-2	Täke
T-2	Ohutu taganemistee	U-3	Tagalõige langetamisel
U-1	Langemissuund	U-4	Hing

Laasimine

Laasimise käigus eemaldatakse kukkunud puu oksad Laasimisel jätke alguses alles alumised jämedad oksad, mis hoiavad tüve maapinnast kõrgemal. Eemaldage väiksed oksad ühe lõikega, nagu näidatud joonisel V. Sae kinnikiilumise vältimiseks tuleks pinge all olevaid oksid lõigata alt üles.

Palgi tükeldamine

- Tükeldamise korral lõigatakse palk juppideks. Selle töö puhul on oluline, et teie jalgealne oleks kindel ning keharaskus oleks jalgade vahel võrdselt jaotatud. Võimalusel tuleks langenu puu ots üles tõsta ja toetada okste, palkide või kiiludega. Järgige kerge tükeldamise lihtsaid juhiseid.
- Kui palk on toetatud kogupikkuses, nagu on näidatud joonisel W1, alustatakse lõikamist ladvaosast (ülalt tükeldamine).
- Kui palk on toetatud ühest otsast, nagu näidatud joonisel W2, lõigake altpoolt 1/3 diameetri suurune tükk. (alt tükeldamine) Seejärel tehke ülaltlõige kuni esimese lõike piirini.
- Kui palk on toetatud mõlemast otsast, nagu näidatud joonisel W3, lõigake ülaltpoolt 1/3 diameetri suurune tükk. (ülalt tükeldamine) Seejärel tehke alllõige kuni esimese lõike piirini.
- Künkal tükeldades seiske alati palgist kõrgemal, nagu on näidatud joonisel X.
- "Läbi lõikamisel", vähendage kontrolli säilitamiseks lõike lõpuosas survet, lõdvendamata sealjuures käepidemete haaret. Vältige keti kontakti maapinnaga. Pärast lõike lõpetamist oodake kuni saag seiskub enne kui edasi liigute. Ühe puu juurest teise juurde liikudes jätke saag alati seisma.

HOOLDUS

HOIATUS: Remontimisel kasutage vaid originaalvaruosi. Mis tahes muude osade kasutamine võib põhjustada ohtlikke olukordi või seadet vigastada.

HOIATUS: Saagi hooldades kasutage alati kaitsekindaid.

HOIATUS: Tõsiste isikuvigastuste vältimiseks eemaldage lisatarvikute vahetamise, puhastamise ja hooldustööde teostamise ajaks alati tööriista küljest aku. Aku jõul töötav tööriist on ühendatud akupaki korral alati kasutusvalmis ja võib juhuslikult käivituda.

HOIATUS: Sae puhastamisel ÄRGE kastke seda vette ega ühegi teise vedeliku sisse.

HOIATUS: Ärge kunagi laske pidurivedelikel, bensiinil, nafta baasil toodetel, läbitungivatel õlidel jms puutuda kokku plastosadega. Kemikaalid võivad plastikut vigastada, nõrgestada või hävitada, mille tulemusena võivad tekkida tõsised kehavigastused.

PUHASTAMINE

- Pärast iga kasutuskorda puhastage kett ja juhtlatt pehme harjaga. Pühkige sae pind puhta niiske lapiga puhtaks.
- Eemaldage külje kate ja puhastage juhtlatt, sae kett, ketiratas ja külje kate pehme harjaga mustusest.
- Saeketi vahetamisel eemaldage juhtlatti soonest alati puidutükid, saepuru ja mustus .

LATI JA KETI ASENDAMINE

HOIATUS: Ärge puudutage ega reguleerige ketti, kui mootor töötab. Sae kett on väga terav.

MÄRKUS: Juhtlatti ja keti asendamisel kasutage alati juhendis soovitatud lati ja keti kombinatsiooni.

Eemaldage kulunud latt ja kett (joon. Y)

1. Eemaldage aku, laske sael jahtuda ja keerake õlipaagi kork tugevamalt kinni.
2. Pange saag külili nii, et küljekaas jääb ülespoole.
3. Kandke kindaid. Eemaldage küljekaas, keerates küljekaanel olevat nuppu vastupäeva. Pühkige kaane pind kuiva lapiga puhtaks.

MÄRKUS: Nüüd saate kontrollida ka ega ketiratas kulunud või kahjustatud pole.

Uue lati ja keti paigaldamine

Järgige selle juhendi peatükis "LATI JA KETI ASENDAMINE" toodud juhiseid.

KETI PINGE MUUTMINE

Järgige selle juhendi peatükis "LATI JA KETI ASENDAMINE" toodud juhiseid.

KETI HOOLDUS

HOIATUS: Sae keti käitlemisel kandke alati kindaid; need komponendid on teravad ja võivad sisaldada ogasid.

Selle saega tohib kasutada ainult nõrga tagasilöögiga kette. Õigesti hooldatud kiire saekett vähendab tagasilööki.

Korralikult teritatud saag lõikab läbi puu vähese vaevaga ka siis, kui rakendada väga väikest jõudu.

Ärge kasutage nüri ega kahjustatud saeketti. Nüri saekett põhjustab suuremat füüsilist pinget, tugevamat vibratsiooni, mitterahuldavaid lõikamistulemusi ja suuremat kulumist.

Sujuvaks ja kiireks lõikamiseks võimaldamiseks tuleb ketti korralikult hooldada. Kett vajab teritamist, kui saagimise tulemusena tekkiv saepuru koosneb väikestest ja pulbrilistest tükkidest. Ketti hooldamise käigus pidage silmas järgnevat:

- Vale nurga all paigaldatud küljplaat võib tekitada tugeva tagasilöögi ohu.
- Räsa (sügavusmõõdiku) kliirens. Liiga väike kliirens suurendab tagasilöögi tõenäosust. Liiga suur kliirens vähendab lõikevõimet.
- Kui lõikehambad puutuvad vastu kõvasid objekte, näiteks vastu naelu või kivisid, või kuluvad puul oleva muda või liivaga kokku puutumise tulemusena, laske kvalifitseeritud hooldustehnikul ketti teritada.

MÄRKUS: Keti vahetamise ajal kontrollige ega ajami ketiratas kulunud või kahjustatud pole. Kui tuvastate mainitud piirkondades kulumise või kahjustuste tunnuseid, laske kvalifitseeritud tehnikul ajami ketiratas vahetada.

JUHTLATI HOOLDAMINE

Kui märkate juhtlatti kulumist, pöörake see teistpidi, et tagada maksimaalset tööiga võimaldav ühtlane kulumine. Latti tuleks igapäevaselt puhastada ning pärast puhastamist kontrollida ega see kulunud või kahjustatud pole. Lati relsside narmastamine või põlemine on normaalne kulumisprotsess. Sellised nähud tuleks ilmnenisel kohe viiliga siluda. Allpool mainitud vigadega latt tuleks välja vahetada.

- Lati relsside niisugune kulumine, mille tõttu võib kett külili minna.

ET



- Paindunud juhtlatti.
- Mõranenud või katkised relsidid.
- Laiali vajunud relsidid.

Lisaks asub juhtlatti tipu juures ketiratas. Juhtlatti tööea pikendamiseks tuleb ketiratast igal nädalal õlitada. Ig-aanädalasel õlitamisel kasutage ketiõliga täidetud õlisüstalt ja sisestage õli läbi määrdeaugu (joon. A-19). Pöörake juhtlatti ja veenduge, et määrdeaugud ja keti soon on puhtad.

TRANSPORTIMINE JA HOIUSTAMINE

- Ärge transportige ega hoiustage liikuvat ketti. Hooldamise ja transportimise ajaks eemaldage alati akuplokk.
- Enne sae hoiustamist ja transportimist pange juhtlatti ja keti peale alati juhtlatti kate. Olge ettevaatlikud ja vältige keti teravaid hambaid.
- Enne hoiustamist puhastage saag hoolikalt. Hoidke saagi sisetingimustes, kuivas ja lastele kättesaamatus kohas.
- Hoidke puhurit eemal korrodeerivatest ainetest (nt aiakemikaalid ja jääsulatussoolad).

Keskkonnakaitse



Ärge visake elektriseadmeid, akulaadijat ega patareisid / akusid olmeprügi hulka!

Vastavalt Euroopa Liidu eriaruandele nr 19/2012 tuleb elektri- ja elektroonika-seadmed, mis pole enam kasutatavad, ning, vastavalt direktiivile 2006/66/EÜ, ka defektsed või kasutatud akuplokkid / patareisid, eraldi kokku koguda.

Kui elektriseadmed maetakse maa sisse või viiakse prügimäele, võivad ohtlikud ained põhjavette lekkida ja toiduahelasse sattuda ning kahjustada teie tervist ja heaolu.

EN VASTAVUSDEKLARATSIOON



Meie, CHERVON EUROPE LTD.

47 CASTLE STREET, READING, RG1 7SR, UNITED KINGDOM

Kinnitame, et see toode, **56-voldise akuga juhtmeta kettsaag CS1400E/CS1400E** vastab järgmiste direktiividega sätestatud esmastele tervise- ja turvanõuetele:

2006/42/EC, 2004/108/EC, 2011/65/EU, 2000/14/EC

Viidatud standardid ja tehnilised spetsifikatsioonid:

EN 60745-1, EN 60745-2-13, EN 55014-1, EN 55014-2

	CS1400E	CS1600E
Mõõdetud helivõimsuse tase:	96,73 dB(A)	96,4 dB(A)
Garanteeritud helivõimsuse tase:	100 dB(A)	99 dB(A)

Peter Melrose
Chervon Europe'i asepresident

Dong Jianxun
Chevroni kvaliteedijuht

* (CHERVONI volitatud esindaja ja tehniliste dokumentide eest vastutav isik)

01/01/2016

Teavitatud üksuse nimi, aadress ja identifitseerimisnumber:
TüV Rheinland LGA Products GmbH; Tillystra 2 D - 90431 Nürnberg, Germany; 0197.

EÜ tüübitunnistuse number:
BM 50326004 0001 (CS1600E)
BM 50296271 0001 (CS1400E)

ET

246

56V-LIITIUMIOONAKUGA AKUTOITEL MOOTORSAAG — CS1400E/CS1600E

TÖRKEOTSING

⚠ HOIATUS: Käte kaitsmiseks kandke saeketi hooldamisel alati tugevast materjalist kindaid. Ketsae hooldamise ja transportimise ajaks eemaldage alati akuplokk.

PROBLEM	PÕHJUS	LAHENDUS
Mootor ei tööta	<ul style="list-style-type: none"> ■ Akuplokk pole saega ühendatud. ■ Sae ja aku vahel puudub elektriline ühendus. ■ Akuplokk on tühi. ■ Akuplokk või saag on liiga kuum. ■ Enne päästikule vajutamist ei vajutatud lukustusnuppu. ■ Ketipidur on aktiivne. ■ Sae kett on puidu sisse kinni jäänud. ■ Lati soones on mustust. ■ Külgakattes on mustust. 	<ul style="list-style-type: none"> ■ Kinnitage akuplokk sae külge. ■ Eemaldage aku, kontrollige ühendusi ja paigaldage akuplokk tagasi. ■ Laadige akuplokk. ■ Jahutage akuplokki või saagi, kuni temperatuur langeb alla 67°C. ■ Sae sisse lülitamiseks vajutage lukustusnuppu ja hoidke seda all ning suruge päästik alla. ■ Tõmmake sae tagasilöögidurit käepidet tagasi eesmise käepideme poole. ■ Vabastage päästik; eemaldage sae kett ja juhtlatt puidu küljest ning käivitage saag uuesti. ■ Suruge sae kett vastu puitu ning liigutage mustuse eemaldamiseks saagi edasi-tagasi. ■ Eemaldage akuplokk ning seejärel külmine kate ja puhastage seade mustusest.
Mootor töötab, aga kett ei käi ringi	<ul style="list-style-type: none"> ■ Kett ei haaku ketirattaga. 	<ul style="list-style-type: none"> ■ Paigaldage kett uuesti, jälgides, et selle lülid on korrektselt hammaste vahel.
Ketipidur ei tööta.	<ul style="list-style-type: none"> ■ Mustus takistab ketipiduri käepideme täies ulatuses liikumist. ■ Võimalik ketipiduri rike 	<ul style="list-style-type: none"> ■ Eemaldage väliselt keti mehhanismilt mustus. ■ Küsige abi EGO hoolduskeskusest.
Saekett ei löika korralikult	<ul style="list-style-type: none"> ■ Ebapiisav pinge. ■ Lõtv kett. ■ Kett on paigaldatud tagurpidi. ■ Kulunud kett. ■ Kuiv või liigselt pinguldatud kett. ■ Kett pole lati hammastiku vahel. 	<ul style="list-style-type: none"> ■ Muutke keti pinguldatus vastavalt alapunktis "KETI PINGE MUUTMINE" toodud juhistele. ■ Paigaldage kettlõikurid tagasi vastavalt alapunktis "KUIDAS TERITADA LÕIKUREID" toodud juhistele. ■ Paigaldage saekett tagasi vastavalt alapunktis "LATI JA KETI ASENDAMINE" toodud juhistele. ■ Paigaldage kett tagasi vastavalt alapunktis "LATI JA KETI ASENDAMINE" toodud juhistele. ■ Kontrollige õlitaset Vajadusel lisage õli. ■ Paigaldage saekett tagasi vastavalt alapunktis "LATI JA KETI ASENDAMINE" antud juhistele.

ET



PROBLEM	PÕHJUS	LAHENDUS
Latt ja kett on kuumad ja suitsevad	<ul style="list-style-type: none">▪ Kontrollige ega kett liiga pinges pole.▪ Keti õlimahuti on tühi.▪ Juhtlati soones on mustust.	<ul style="list-style-type: none">▪ Paigaldage saekett tagasi vastavalt alapunktis "KETTI PINGE MUUTMINE" antud juhistele.▪ Lati ja keti määrdeaine lisamine.▪ Eemaldage soones olev mustus

GARANTII

EGA GARANTIIPÕHIMÕTTED

Täielikud EGO garantiitingimused leiate veebilehelt egopowerplus.com.

ET

248

56V-LIITIUMIOONAKUGA AKUTOITEL M00TOSAAG — CS1400E/CS1600E

